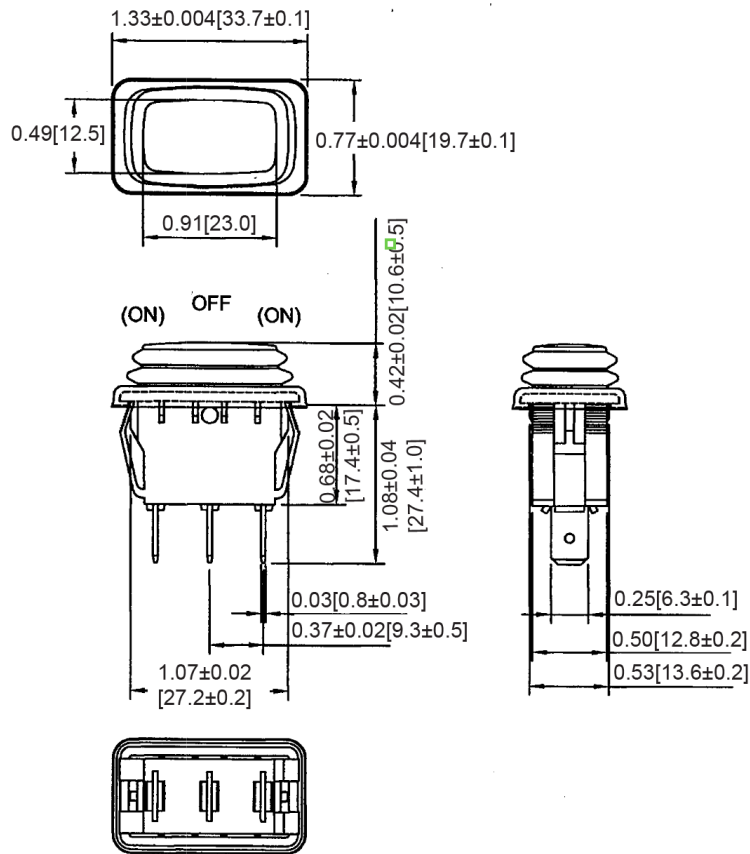
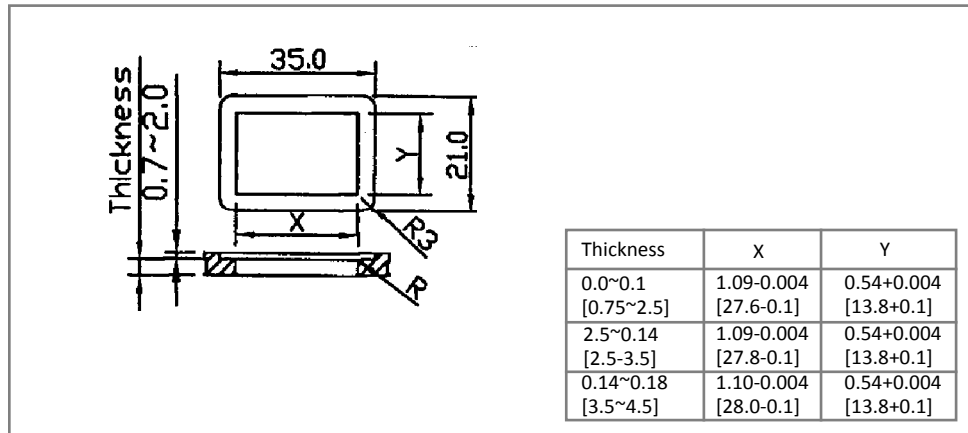


Mechanical Dimensions: Inches [mm]

Tolerances ± 0.012 [0.3] Unless Otherwise Specified

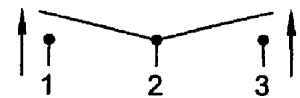


Mounting Hole



Circuit Diagram

3P SPDT (ON)-OFF-(ON)



Electrical Specifications

Rating	16(4)A 125/250V DC	
Contact Resistance	50m ohm Max.	
Insulation Resistance	DC 500V 100M ohm Min	
Dielectric Strength	AC 1500V 1 minute	
Operation Temperature	-25°C~85°C	

Material Specifications

Frame	Black, Nylon 66
Actuator	Black, Nylon 66 +33%GF
Waterproof Rubber	Black, Silicone
Printed	White, Hot Stamping
	IP65

Rev **Date of issue** **Revision Notes**

Designed **Approved**

A	03-19-2021	Initial Drawing	RC	OF
---	------------	-----------------	----	----