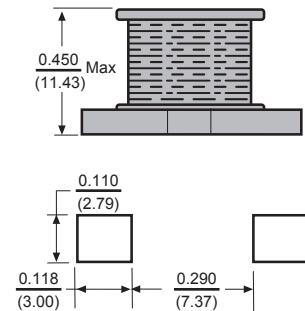
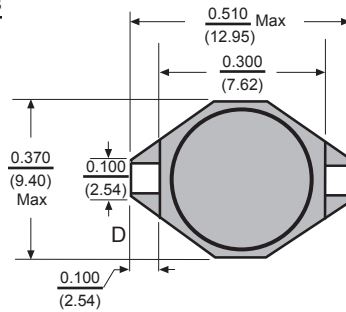




Dimensions: $\frac{\text{Inches}}{\text{(mm)}}$



Allied Part Number	Inductance (μH)	Tolerance (%)	SRF (MHz) TYP.	DCR (Ω) Max	Isat (A)	Irms (A)
PCI50-2R2M-RC	2.2	20	40	.012	18	7.8
PCI50-4R7M-RC	4.7	20	25	.033	8.0	3.5
PCI50-100M-RC	10	20	22	.033	8.0	3.5
PCI50-150M-RC	15	20	18	.042	7.0	3.0
PCI50-220M-RC	22	20	11	.054	5.5	2.5
PCI50-330M-RC	33	20	9.0	0.08	4.0	2.0
PCI50-470M-RC	47	20	8.0	0.10	3.8	1.6
PCI50-680M-RC	68	20	7.0	0.17	3.0	1.2
PCI50-101M-RC	100	20	5.0	0.22	2.5	1.2
PCI50-151M-RC	150	20	4.0	0.34	2.0	0.9
PCI50-221M-RC	220	20	3.5	0.44	1.6	0.7
PCI50-331M-RC	330	20	2.5	0.70	1.2	0.6
PCI50-471M-RC	470	20	2.0	0.95	1.0	0.3
PCI50-681M-RC	680	20	2.0	1.20	1.0	0.2
PCI50-102M-RC	1000	20	1.5	2.00	0.8	0.1

Features

- High current capacity in a small foot print
- High energy storage and low DCR
- Designed with high heat resistant materials for reflow operation
- Wrap around terminals for excellent solder quality and inspection
- Flat top for pick and place assembly
- Non-standard values available

Electrical

Inductance Range: 2.2 μH to 1000 μH

Tolerance: $\pm 20\%$ over the entire inductance range.

Test Frequency: Inductance measured at 100KHz, 0.1 Vrms.

Operating Temp. Range: -40°C to $+125^{\circ}\text{C}$

Inductance Drop: 20% typical at the rated Isat.

Temperature Rise: $\Delta T=40^{\circ}\text{C}$ rise typical at I rms.

Physical

Marking: Previously marked with 3 dot color code system

Packaging: 225 pieces per 13 inch reel.

All specifications subject to change without notice.