



Industrial



COTS



Test



COMM

The PAF600F24 and PAF600F48 series of isolated full brick DC-DC converters operate from a 24V or 48V nominal dc input and are rated at 600W output. Output voltages are 12V or 28V and can be adjusted using the trim terminal by -40% to +10%. All models feature a parallel function for higher power or N+1 redundant systems. Remote sense, remote on/off, inverter good signal and an auxiliary voltage are also included as standard. The power modules can be conduction cooled to a cold plate or fitted with an optional heatsink. These efficient converters are well suited for distributed power architectures and power systems.

Features

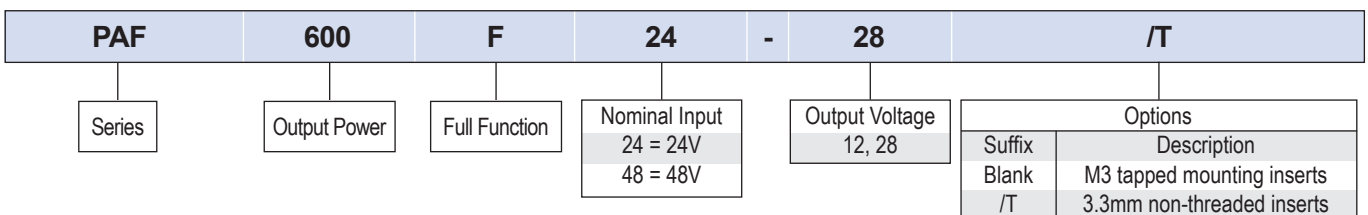
- Wide Range Inputs
- Baseplate Cooled
- -40 to +100°C Baseplate Temperature
- Parallel Function
- Up to 90% Efficient

Benefits

- Operates From Batteries or DC Power Systems
- Can be Conduction or Convection Cooled with a Heatsink
- Operates in Harsh Environments
- Suitable for Higher Power or N+1 Redundant Systems
- Easier To Cool In the End System

Model Selector

Model	Input Voltage (V)	Output Voltage (V)	Adjustment Range (V)	Maximum Current (A)	Maximum Power (W)	Input Current (A) nominal input, 100% load	Efficiency (%) nominal input, 100% load
PAF600F24-12	20 - 36	12	7.2 - 13.2	50	600	28.9	89
PAF600F24-28	19 - 36	28	16.8 - 30.8	21.5	602.0	28.9	89
PAF600F48-12	36 - 76	12	7.2 - 13.2	50	600	14.2	89
PAF600F48-28	36 - 76	28	16.8 - 30.8	21.5	602.0	14.1	90



Related Products		
	Part Number	Description
DC-DC Converters	PH50A280 to PH600A280	50W to 600W, 200 to 425V Input DC-DC Converters
DC-DC Converters	i7A	500 to 700W, Non-isolated Step Down DC-DC Converters
Heatsink	HAF-10L	Full brick 25mm longitudinal fins
Heatsink	HAF-15L	Full brick 38.1mm longitudinal fins
Heatsink	HAF-15T	Full brick 38.1mm transverse fins

Specifications		
Model	PAF600F24-xx	PAF600F48-xx
Input		
Input Voltage range	-	See model selector
Input Current	-	See model selector
Efficiency	-	See model selector
Conducted & Radiated EMI	-	EN55011/EN55032-A, FCC Class A, VCCI-A (External components are required, consult Evaluation Data on website)
Immunity	-	IEC61000-4-2, -3, -4, -5, -6 (External component are required, consult Immunity Data on website)
Safety Certifications and Markings	-	IEC/UL/CSA/EN62368-1, 60950-1, CE Mark and UKCA Mark

Immunity				
Test	Standard	Test Level	Criteria	Notes
ESD	EN61000-4-2	Air ±10kV and contact ±5kV	A	External component are required (Consult Immunity Data on website)
Radiated Susceptibility	EN61000-4-3	80M -1GHz: 10V/m 1.4 - 2.0GHz: 3V/m 2.0 - 2.7GHz: 1V/m	A	
Electrical Fast Transient Burst	EN61000-4-4	±2.4kV	A	
Surge	EN61000-4-5	Common, Normal ± 600V	A	
Conducted Susceptibility	EN61000-4-6	10Vrms	A	

Specifications		
Model	PAF600F24-xx	PAF600F48-xx
Output		
Output Voltage Tolerance	%	±1
Output Voltage Adjustment	-	See model selector
Switching Frequency	kHz	330
Line Regulation	mV	12V: 24, 28V: 56
Load Regulation	mV	12V: 24, 28V: 56
External Load Capacitance	µF	Contact Technical Sales
Ripple & Noise	mV	12V: 200, 28V: 280
Temperature Coefficient	%/°C	0.02
Minimum Load	-	No minimum load required
Overcurrent Protection	%	105 - 140 constant current characteristic with automatic recovery
Oversvoltage Protection	%	115 - 135, cycle input or remote on/off to reset
Overtemperature Protection	°C	105 - 130 base-plate
Remote Sense	-	Yes
Remote On/Off	-	Yes; Low = ON, High = OFF
Module Good Signal	-	Signal is low when converter is operating normally, referenced to - sense terminal
Auxiliary Voltage	-	7 - 10V, 20mA referenced to - sense terminal
Parallel Operation	-	Possible, see instruction manual

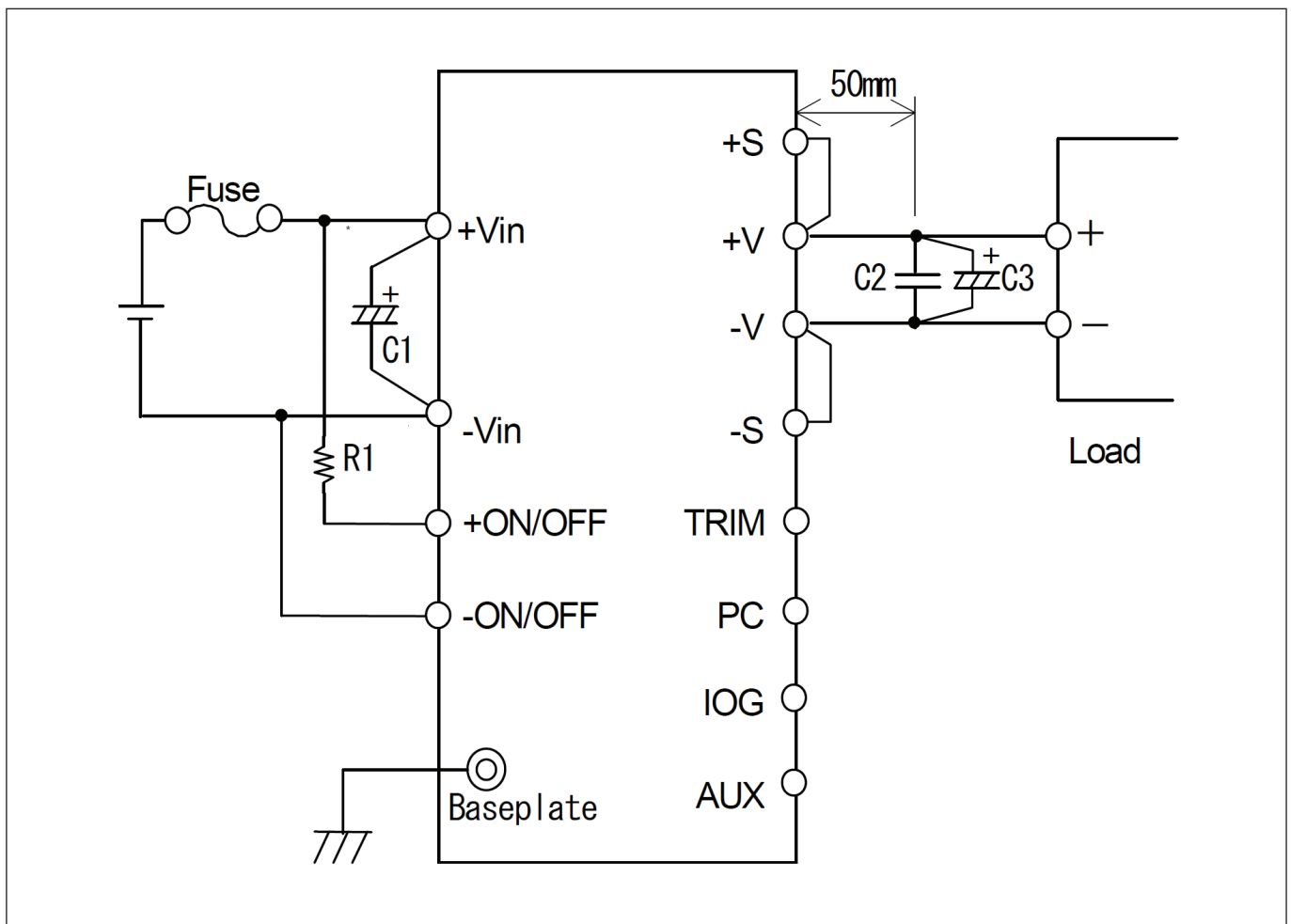
Specifications			
Model		PAF600F24-xx	PAF600F48-xx
Environmental			
Operating Temperature (Baseplate)	°C	-40 to +100, derate linearly to 83% load from +85 to +100	-40 to +100, no derating required
Storage Temperature	°C	-40 to +100	
Humidity (non condensing)	%RH	Operating: 30 - 95, Storage 10 - 95	Operating: 20 - 95, Storage 10 - 95
Cooling	-	Conduction, convection or forced air (See Instruction Manual for heatsink selection)	
Altitude	m	3,000	
Withstand Voltage (For 1 minute)	Vdc	Input to Base-plate: 1,500; Input to Output 1,500; Output to Baseplate: 500	
Isolation Resistance	MΩ	>100 at 25°C, 70%RH & 500Vdc	
Vibration	-	Non Operating, 10-55Hz (sweep for 1 min.) Amplitude 0.825mm constant (Max 49 m/s ²) X,Y,Z 1 hour each	
Shock	-	196.1m/s ²	
Other			
Weight (Typ)	g	250	
Size (LxWxH)	mm	116.8 x 61 x 12.7	
Size (LxWxH)	Inches	4.6 x 2.4 x 0.5	
MTBF - JEITA (RCR-9102B)*	Hours	299,661	297,989
Warranty	Years	2	

Notes

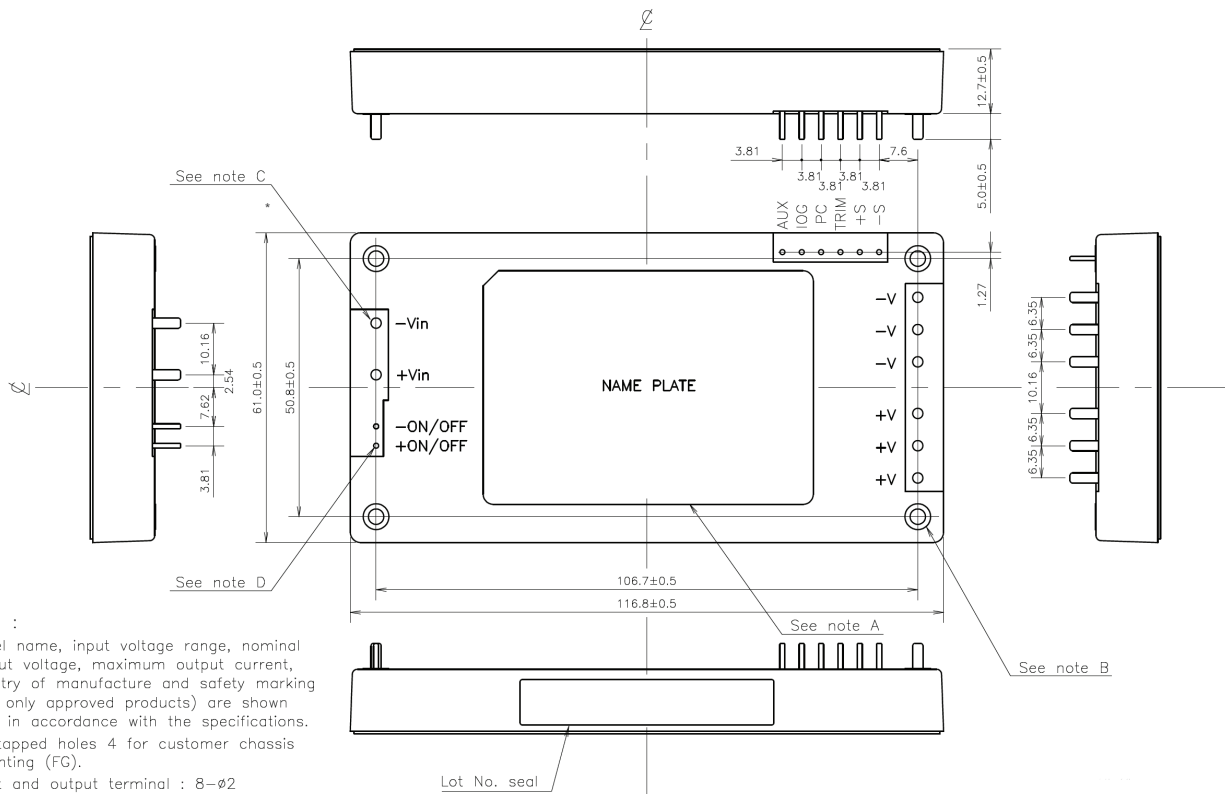
See website for detailed specifications, test methods and installation manual

*Ground fixed. The JEITA RCR-9102B calculation method produces figures significantly lower than Telcordia.

Basic Connection Circuit



Outline Drawing



NOTES :

- A: Model name, input voltage range, nominal output voltage, maximum output current, country of manufacture and safety marking (For only approved products) are shown here in accordance with the specifications.
- B: M3 tapped holes 4 for customer chassis mounting (FG).
- C: Input and output terminal : 8- $\emptyset 2$
- D: Signal pin : 8- $\emptyset 1$
- E: Unless otherwise specified dimensional tolerance : ± 0.3



TDK-Lambda France SAS

Tel: +33 1 60 12 71 65
france@fr.tdk-lambda.com
www.emea.lambda.tdk.com/fr



Italy Sales Office

Tel: +39 02 61 29 38 63
info.italia@it.tdk-lambda.com
www.emea.lambda.tdk.com/it



Netherlands

info@nl.tdk-lambda.com
www.emea.lambda.tdk.com/nl



TDK-Lambda Germany GmbH

Tel: +49 7841 666 0
info@de.tdk-lambda.com
www.emea.lambda.tdk.com/de



Austria Sales Office

Tel: +43 2256 655 84
info@at.tdk-lambda.com
www.emea.lambda.tdk.com/at



Switzerland Sales Office

Tel: +41 44 850 53 53
info@ch.tdk-lambda.com
www.emea.lambda.tdk.com/ch



Nordic Sales Office

Tel: +45 8853 8086
info@dk.tdk-lambda.com
www.emea.lambda.tdk.com/dk



TDK-Lambda UK Ltd.

Tel: +44 (0) 12 71 85 66 66
info@uk.tdk-lambda.com
www.emea.lambda.tdk.com/uk



TDK-Lambda Ltd.

Tel: +9 723 902 4333
info@tdk-lambda.co.il
www.emea.lambda.tdk.com/il



C.I.S.

Commercial Support:

Tel: +7 (495) 665 2627

Technical Support:

Tel: +7 (812) 658 0463
info@tdk-lambda.ru
www.emea.lambda.tdk.com/ru



TDK-Lambda Americas

Tel: +1 800-LAMBDA-4 or 1-800-526-2324
powersolutions@us.tdk-lambda.com
www.us.lambda.tdk.com



TDK Electronics do Brasil Ltda

Tel: +55 11 3289-9599
sales.br@tdk-electronics.tdk.com
www.tdk-electronics.tdk.com/en



TDK-Lambda Corporation

Tel: +81-3-6778-1113
www.jp.lambda.tdk.com



TDK-Lambda (China) Electronics Co. Ltd.

Tel: +86 21 6485-0777
powersolutions@cn.tdk-lambda.com
www.lambda.tdk.com.cn



TDK-Lambda Singapore Pte Ltd.

Tel: +65 6251 7211
tts.mkt@sg.tdk-lambda.com
www.sg.lambda.tdk.com



TDK India Private Limited, Power Supply Division

Tel: +91 80 4039-0660
mathew.philip@in.tdk-lambda.com
www.sg.lambda.tdk.com

