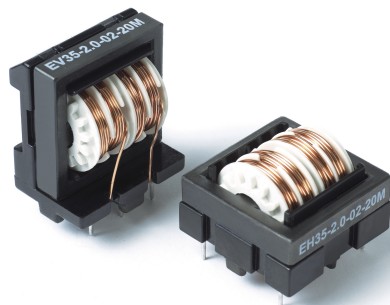
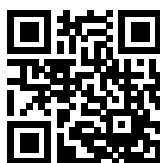


# Common-mode Suppression Chokes



- Rated currents up to 5 A
- Broadband attenuation characteristics
- Low magnetic leakage flux
- UL rated materials
- RoHS compliant



## Approvals & Compliances

### RoHS

Common-mode suppression chokes are mainly used to filter noise on AC power lines. Noise on commercial power lines could enter the equipment and disturb the proper function. Noise generated by the equipment for example from switch mode power supplies need to be filtered and the spread of such generated noise need to be suppressed. Common-mode suppression chokes together with line bypass capacitors building an AC EMI suppression filter device.

### Features and Benefits

- Rated currents up to 5 A
- Compact and light weight
- Low magnetic leakage flux
- Sectional winding
- Standard foot print
- Broad range of available inductances and current ratings
- Custom-specific versions
- Schaffner offers you also EMI measurement service to verify that your design will pass the required safety standards

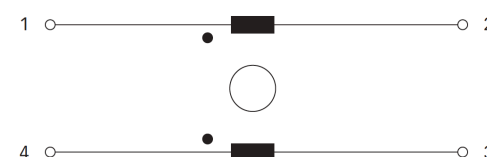
### Typical Applications

- Input filters for switch mode power supplies
- Filters to reduce leaking noise
- TVs, VCRs, multimedia and audio equipment
- Office automation, communications and other electronic devices
- Electric ballast
- AC/AC converters

## Technical Specifications

<b>Maximum continuous operating voltage</b>	250 VAC @ 50°C
<b>Operating frequency</b>	DC to 400 Hz
<b>Rated currents</b>	0.3 to 5 A
<b>Overcurrent</b>	1.5x Inominal for 1 minute, once per hour
<b>winding-to-winding @ 25°C</b>	3000 VAC, 60 sec, guaranteed 2000 V, 50 Hz, 2 sec, factory test
<b>Temperature range (operation and storage)</b>	-25°C to +100°C (25/100/21)
<b>Flammability corresponding to</b>	UL 94 V-0
<b>Measuring frequency</b>	10 kHz; 5 mA <16 µH 500 µA >16 µH <160 µH; 50 µA >160 µH >16 mH; 50 mV >16 mH <160 mH Inductance tolerance ±30%
<b>Resistance</b>	Tolerance max. ±15% @ 25°C; ≤20 mΩ, 1 A; >20 mΩ ≤200 mΩ, 100 mA; >200 mΩ ≤2 V, 10 mA
<b>Electrical characteristics</b>	@ 25°C ±2°C
<b>MTBF @ 40°C/230 V (Mil-HB-217F)</b>	>5,000,000 hours

## Typical electrical schematic



## Choke Selection Table

EH choke	Buy (EH)	EV choke	Buy (EV)	L nominal (±30%) [mH]	DC resistance R [mΩ]	Rated current I (50°C) [A]	Weight [g]
EH20-0.3-02-33M		EV20-0.3-02-33M		33	1780	0.3	10
EH20-0.5-02-18M		EV20-0.5-02-18M		18	725	0.5	10
EH20-0.8-02-5M6		EV20-0.8-02-5M6		5.6	245	0.8	10
EH20-1.0-02-3M9		EV20-1.0-02-3M9		3.9	168	1.0	10
EH20-1.2-02-3M3		EV20-1.2-02-3M3		3.3	127	1.2	10
EH20-1.5-02-1M8		EV20-1.5-02-1M8		1.8	72	1.5	10
EH20-2.0-02-0M8		EV20-2.0-02-0M8		0.82	38	2.0	10
EH24-0.5-02-44M		EV24-0.5-02-44M		44	1250	0.5	18
EH24-0.8-02-18M		EV24-0.8-02-18M		18	438	0.8	18
EH24-1.0-02-10M		EV24-1.0-02-10M		10	244	1.0	18
EH24-1.5-02-4M5		EV24-1.5-02-4M5		4.5	116	1.5	18
EH24-2.0-02-2M5		EV24-2.0-02-2M5		2.5	62	2.0	18
EH24-3.0-02-1M2		EV24-3.0-02-1M2		1.2	29	3.0	18
EH24-4.0-02-0M5		EV24-4.0-02-0M5		0.5	16	4.0	18
EH28-1.0-02-75M-X				75	880	1.0	31
EH28-1.0-02-36M		EV28-1.0-02-36M		36	591	1.0	31
EH28-1.5-02-27M-X		EV28-1.5-02-27M-X		27	282	1.5	31
EH28-1.5-02-20M		EV28-1.5-02-20M		20	282	1.5	31
EH28-2.0-02-15M-X				15	196	2.0	33
EH28-2.0-02-11M		EV28-2.0-02-11M		11	162	2.0	31
EH28-3.0-02-9M0-X		EV28-3.0-02-9M0-X		9	115	3.0	31
EH28-3.0-02-5M0		EV28-3.0-02-5M0		5	79	3.0	31
EH28-4.0-02-3M5-X				3.5	52	4.0	31
EH28-4.0-02-2M3		EV28-4.0-02-2M3		2.3	40	4.0	31
EH28-5.0-02-1M1		EV28-5.0-02-1M1		1.1	27	5.0	31
EH35-1.0-02-90M		EV35-1.0-02-90M		90	628	1.0	70
EH35-2.0-02-20M		EV35-2.0-02-20M		20	150	2.0	70
EH35-3.0-02-10M		EV35-3.0-02-10M		10	72	3.0	70
EH35-4.0-02-5M0		EV35-4.0-02-5M0		5	53	4.0	70
EH35-5.0-02-3M6		EV35-5.0-02-3M6		3.6	33	5.0	70

All wires rated 130°C or higher.

## Distribution Inventory

Up-to-date inventory levels for global distributors is available at

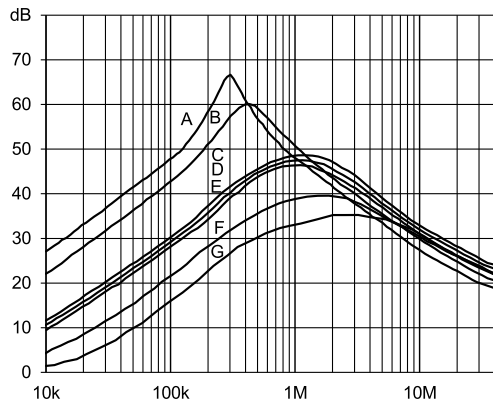
<https://products.schaffner.com/stock>



### Typical Choke Attenuation

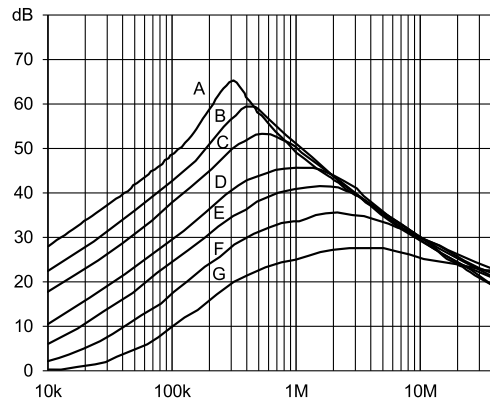
Per CISPR 17; 50 Ω/50 Ω asym

EV/EH 20 types



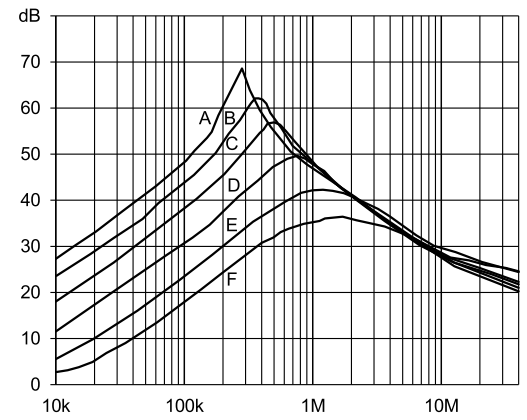
A = 33 mH; B = 18 mH; C = 5.6 mH  
 D = 3.9 mH; E = 3.3 mH; F = 1.8 mH  
 G = 0.8 mH

EV/EH 24 types



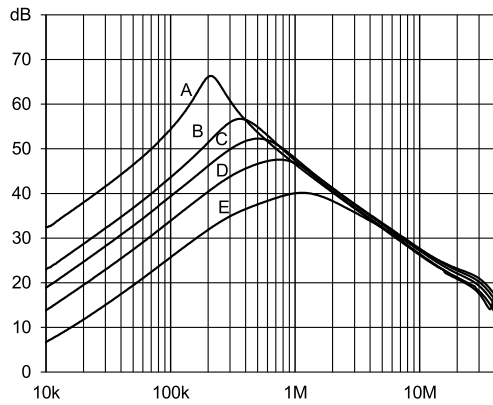
A = 44 mH; B = 18 mH; C = 10 mH  
 D = 5.5 mH; E = 2.5 mH; F = 1.2 mH  
 G = 0.5 mH

EV/EH 28 types



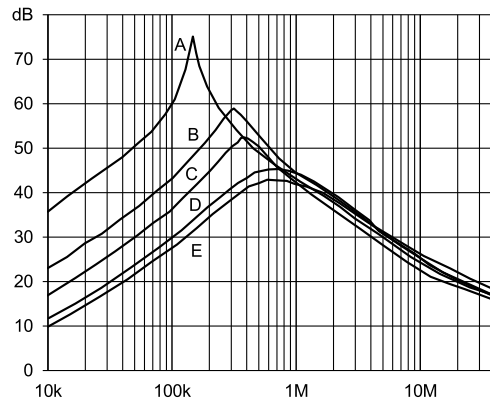
A = 36 mH; B = 20 mH; C = 11 mH  
 D = 5 mH; E = 2.3 mH; F = 1.1 mH

EV/EH 28 X types



A = 75 mH; B = 27 mH; C = 15 mH  
 D = 9 mH; E = 3.5 mH

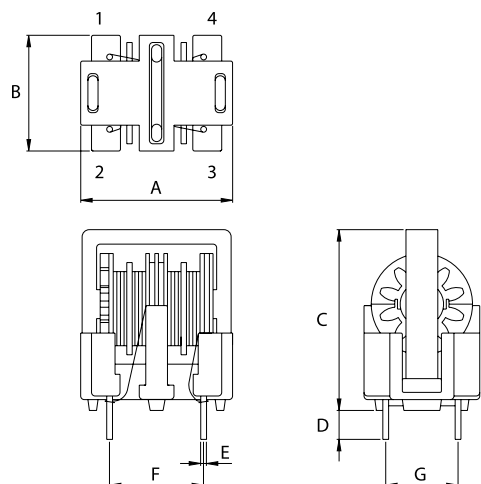
EV/EH 35 types



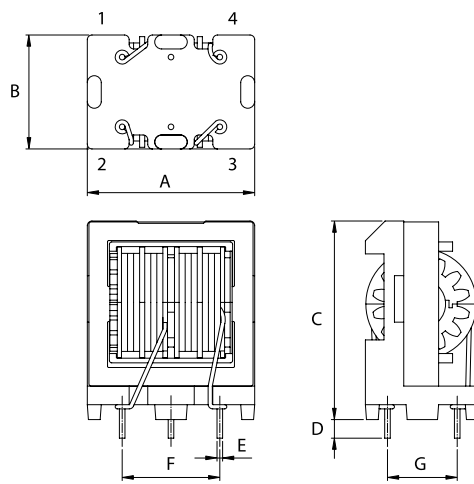
A = 90 mH; B = 20 mH; C = 10 mH  
 D = 5 mH; E = 3.6 mH

### Mechanical Data

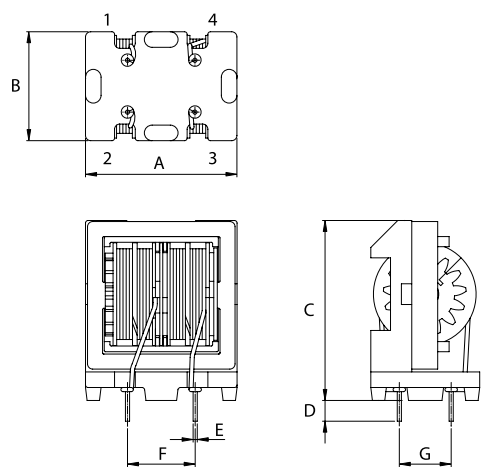
#### EV 20



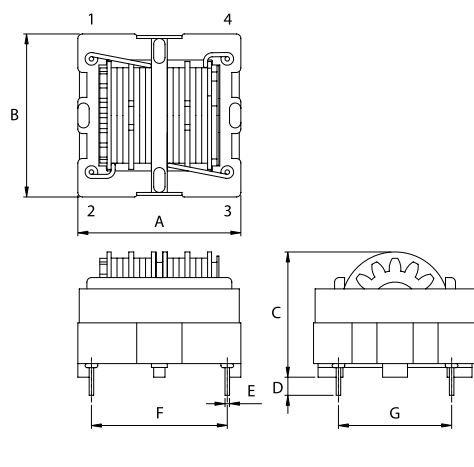
#### EV 35



#### EV 24 and 28



#### EH 20 to 35



### Dimensions

	EV 20	EV 24	EV 28	EV 35	EH 20	EH 24	EH 28	EH35	Tolerances
<b>A</b>	21	24.6	29.2	36	21	24	28	36	±1
<b>B</b>	16	17.4	21	25.5	21	24	28	36	±1
<b>C</b>	25*	29.1	34.7	42.7	17.8	20	22.9	27.7	±1
<b>D</b>	4	4	4	4	4	4	4	4	±1
<b>E</b>	∅0.8	∅0.8	∅0.8	∅1.2	∅0.8	∅0.8	∅0.8	∅1.0	±0.1
<b>F</b>	13	13	13	21	13	21	24	30	±0.5
<b>G</b>	10	10	10	15	10	15	20	25	±0.5

All dimensions in mm; 1 inch = 25.4 mm

\* Tolerance is +/-2 mm

Please visit [www.schaffner.com](http://www.schaffner.com) to find more details on filter connectors.

## Headquarters, Global Innovation and Development

### Switzerland

#### Schaffner Group

Industrie Nord  
Nordstrasse 11e  
4542  
Luterbach  
+41 32 681 66 26  
[info@schaffner.com](mailto:info@schaffner.com)

## Sales and Application Centers

### China

#### Schaffner EMC Ltd. Shanghai

T20-3 C No 565 Chuangye Road Pudong district  
201201  
Shanghai  
+86 2138139500  
[cschina@schaffner.com](mailto:cschina@schaffner.com)

### Finland

#### Schaffner Oy

Sauvonrinne 19 H  
8500  
Lohja  
+358 50 468 7284  
[finlandsales@schaffner.com](mailto:finlandsales@schaffner.com)

### France

#### Schaffner EMC S.A.S.

16-20 Rue Louis Rameau  
95875  
Bezons  
+33 1 34 34 30 60  
[francesales@schaffner.com](mailto:francesales@schaffner.com)

### Germany

#### Schaffner Deutschland GmbH

Schoemperlenstrasse 12B  
76185  
Karlsruhe  
+49 721 56910  
[germanysales@schaffner.com](mailto:germanysales@schaffner.com)

### India

#### Schaffner India Pvt. Ltd

Regus World Trade Centre  
WTC 22nd Floor Unit No 2238 Brigade  
Gateway Campus 26/1 Dr. Rajkumar Road  
Malleshwaram (W)  
560055  
Bangalore  
+91 8067935355  
[indiasales@schaffner.com](mailto:indiasales@schaffner.com)

### Italy

#### Schaffner EMC S.r.l.

Via Ticino, 30  
20900  
Monza (MB)  
+39 039 21 41 070  
[italysales@schaffner.com](mailto:italysales@schaffner.com)

### Japan

#### Schaffner EMC K.K.

ISM Sangenjaya 7F  
1-32-12 Kamiyama Setagaya-ku  
154-0011  
Tokyo  
+81 3 5712 3650  
[japansales@schaffner.com](mailto:japansales@schaffner.com)

### Singapore

#### Schaffner EMC Pte Ltd.

Blk 3015A Ubi Road 1 #05-09 Kampong Ubi  
Industrial Estate  
408705  
Singapore  
+65 63773283  
[singaporesales@schaffner.com](mailto:singaporesales@schaffner.com)

### Spain

#### Schaffner EMC España

Calle Caléndula 93 Miniparc III Edificio E El  
Soto de Moraleja Alcobendas  
28109  
Madrid  
+34 917 912 900  
[spainsales@schaffner.com](mailto:spainsales@schaffner.com)

### Sweden

#### Schaffner EMC AB

Östermalmstrorg 1  
114 42  
Stockholm  
+46 8 5050 2425  
[swedensales@schaffner.com](mailto:swedensales@schaffner.com)

### Switzerland

#### Schaffner EMV AG

Industrie Nord  
Nordstrasse 11e  
4542  
Luterbach  
+41 32 681 66 26  
[switzerlandsales@schaffner.com](mailto:switzerlandsales@schaffner.com)

### Taiwan

#### Schaffner EMV Ltd.

U-Town  
20 Floor-2 No 97 Section 1 XinTai 5th Road  
XiZhi District  
22175  
New Taipei City  
+886 226975500  
[taiwansales@schaffner.com](mailto:taiwansales@schaffner.com)

### Thailand

#### Schaffner EMC Co. Ltd.

Sathorn Square Tower  
Room 3780 37FL 98 North-Sathorn Rd Silom  
Bangrak  
10500  
Bangkok  
+66 621056397  
[thailandsales@schaffner.com](mailto:thailandsales@schaffner.com)

### United Kingdom

#### Schaffner Ltd.

Suite 1 Oakmede Place  
Terrace Road  
RG42 4JF  
Binfield  
+44 118 9770070  
[uksales@schaffner.com](mailto:uksales@schaffner.com)

### United States

#### Schaffner EMC Inc.

52 Mayfield Avenue  
Edison, New Jersey  
+1 732 225 9533  
[usasales@schaffner.com](mailto:usasales@schaffner.com)

To find your local partner within Schaffner's global network [schaffner.com](http://schaffner.com)

© 2022 Schaffner Group

The content of this document has been carefully checked and understood. However, neither Schaffner nor its subsidiaries assume any liability whatsoever for any errors or inaccuracies of this document and the consequences thereof. Published specifications are subject to change without notice. Product suitability for any area of application must ultimately be determined by the customer. In all cases, products must never be operated outside their published specifications. Schaffner does not guarantee the availability of all published products. This disclaimer shall be governed by substantive Swiss law and resulting disputes shall be settled by the courts at the place of business of Schaffner Holding AG. Latest publications and a complete disclaimer can be downloaded from the Schaffner website. All trademarks recognized.