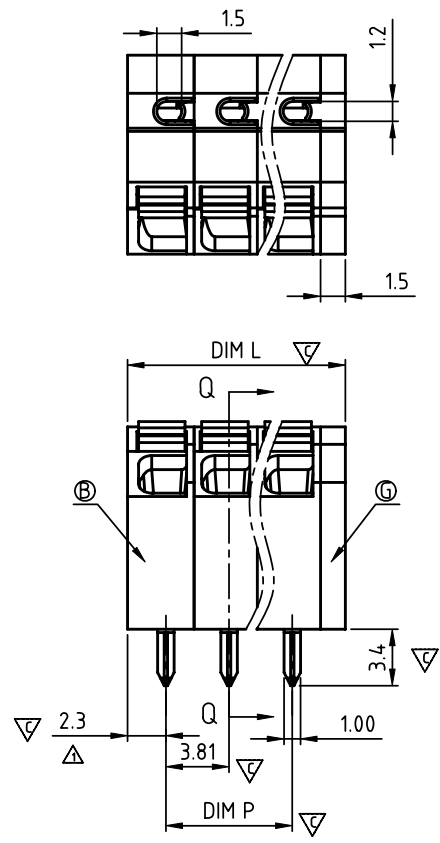
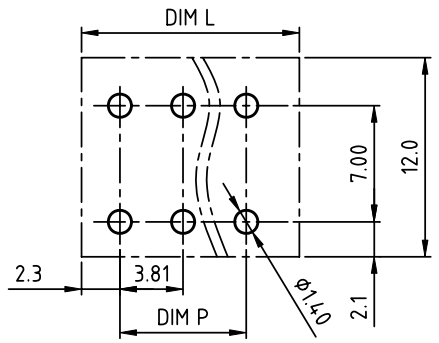


SECTION Q-Q



P.C.B Layout
Top view



N = Number of poles
 Δ Dim L=(Nx3.81)+1.7
 Dim P=(N-1)x3.81

	Dim L	Dim P
Δ 1p	± 0.10	
2-6p	± 0.10	
7-12p	± 0.20	
13-18p	± 0.30	
19-24p	± 0.40	

SIGN	DATE	DESCRIPTION	APPROVER
Δ	05/10'12	The dimension is changed	Runner
Δ	10/10'13	Add is cULus // update the drawing	Da cheng

THIS IS CAD DRAWING, DO NOT REVISE MANUALLY!!!

- Material:
- Item Δ Terminal body: Thermoplastic (UL94V-0)
 - Item \textcircled{B} Terminal side body: Thermoplastic (UL94V-0)
 - Item \textcircled{C} Terminal lever: Thermoplastic (UL94V-0) Orange RAL2011/P
 - Item \textcircled{D} Female long contact : Brass. Tin Plated.
 - Item \textcircled{E} Female short contact : Brass. Tin Plated.
 - Item \textcircled{F} Spring clamp : Stainless steel
 - Item \textcircled{G} Terminal cover: Thermoplastic (UL94V-0)

- Electrical: cULus
- Voltage rating: 300 V
 - Current rating: 10A
 - Wire range:
 - Solid wire(AWG): 16-26
 - Stranded wire(AWG): 16-26
 - Wire strip length: 8-9 mm
 - Withstanding Voltage: 1.6 KV
 - Operating temperature: -40°C to +115°C
 - Soldering temperature: 260°C $\pm 5^\circ\text{C}/5$ Sec

- Δ Safety Approval:
- Critical dimension: ∇

NI xx 3 0 x 0 xxxx G RoHS compliant (lead<4%) In copper Alloy

No. OF POLES Δ 01: 1 POLES
 :
 24: 24 POLES

Δ Body Color
 0 Black (RAL9005)
 2 Red (RAL3001/D)
 3 Orange(RAL2011/P)
 4 Yellow(RAL1018/A)
 5 Green(RAL6018/T)
 6 Blue (RAL5015/A)
 8 Grey(RAL7004/P)
 9 White(RAL1102)
 C Multiple colors

0000: "@ " Logo (Standard)
 000A: "ANYTEK" Mark
 Any special item by customer request. please contact sales department.

ANYTEK				CUSTOMER COPY				
ALL RIGHTS RESERVED. REPRODUCTION OR ISSUE TO THRD PARTIES IN ANY FORM WHATEVER IS NOT PERMITTED WITHOUT WRITTEN AUTHORITY FROM THE PROPRIETOR. PROPERTY OF ANYTEK TECHNOLOGY CO., LTD								
TITLE	NI 3.81mm Series			DWG NO.	8NI0001			
PART NO.	Nlxx30x0xxxxG			CUST NO.				
APPROVED	CHECKED	DESIGNED	DRAWN			Tolerance		
		Da cheng 2013.10.10	Da cheng 2013.10.10			X.	± 0.50	
						UNIT: mm	X.X	± 0.30
				SHEET: 01/01		SCALE: NONE	X.XX	± 0.10
						REV.: C	X°	$\pm 1^\circ$