

SIGN	DATE	DESCRIPTION	APPROVER
△	11/09'13	change the electrical specification /// update the drawing	Da cheng
△			
△			



THIS IS CAD DRAWING, DO NOT REVISE MANUALLY!!!

Material

- Item a Terminal up body:Thermoplastic (UL94V-0)
- Item b Terminal down body:Thermoplastic (UL94V-0)
- Item c Terminal screw:Steel Cr3+ Zinc plating "-/+ " slot type
- Item d Wire guard:Stainless Steel
- Item e Female contact: PhBz (CuSn) Tin plated
- Item f Lever:Thermoplastic (UL94V-0) Orange(RAL2011/P)

Electrical

cULus

- Voltage rating: 300VAC
- Current rating: 8A
- Solid wire: 12-26 AWG
- Stranded wire: 12-26AWG
- Wire strip length: 11-12mm
- Withstanding Voltage: 1.6KV
- Operating temperature: -40°C to +115°C
- Safety Approval: 
- Critical dimension: 

NF xx 50 x 1 xxxx G

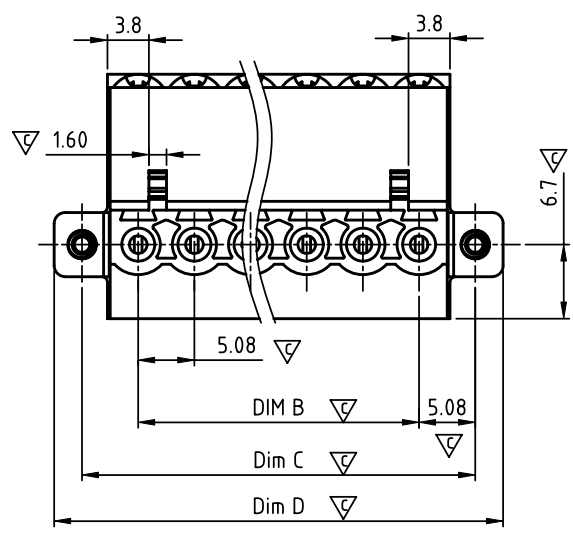
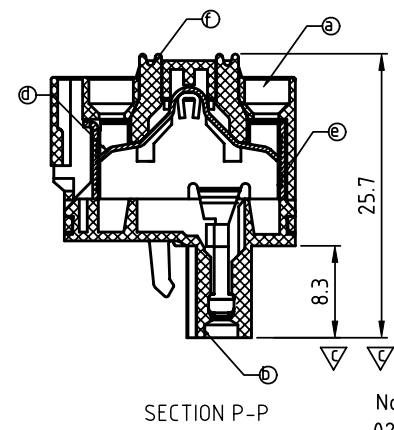
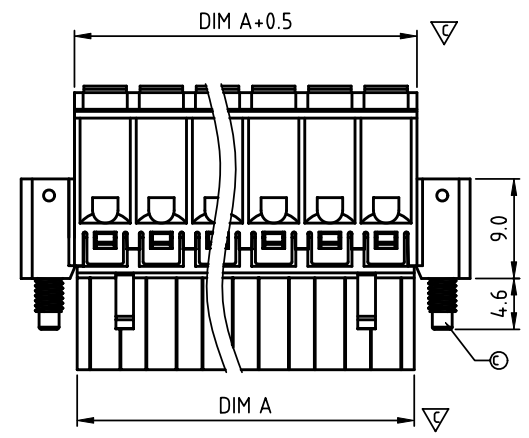
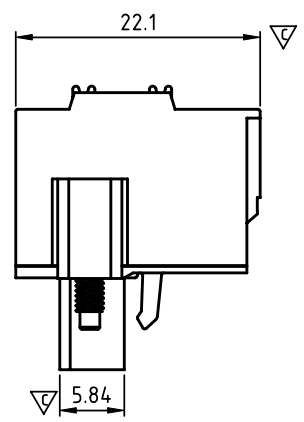
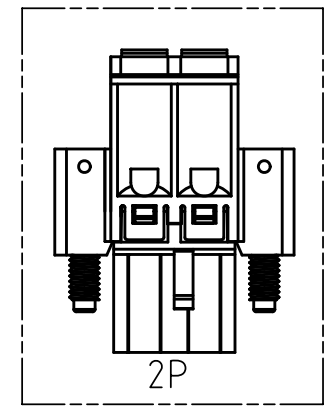
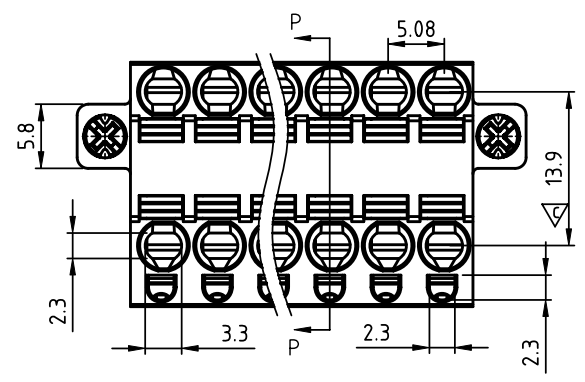
RoHS compliant
(lead<4%)
In copper Alloy

- No. OF POLES
- 02 2 POLES
 - 03 3 POLES
 -
 - 24 24 POLES

- △ Body Color
- 0 Black (RAL9005)
 - 2 Red (RAL3001/D)
 - 3 Orange(RAL2011/P)
 - 4 Yellow(RAL1018/A)
 - 5 Green(RAL6018/T)
 - 6 Blue (RAL5015/A)
 - 8 Grey(RAL7035/D)
 - 9 White(RAL1102)
 - C Green(RAL6018/U)

0000: "@ " Logo (Standard)
000A: "ANYTEK" Mark
Any special item by customer request.
please contact sales department.

ANYTEK				CUSTOMER COPY			
TITLE		NF 5.08 Series With Flange type					
PART NO.		NFxx50x1xxxxG		DWG NO.		8NF0002	
APPROVED		CHECKED	DESIGNED	DRAWN	CUST NO.		Tolerance
			Da cheng 2013.11.16	Da cheng 2013.11.16			X ±0.50
					UNIT: mm		X.X ±0.30
					SCALE: NONE		X.XX ±0.10
					REV.: C		X° ±1°
					SHEET: 01/01		



N = Number of poles
Dim A=Nx5.08
Dim B=(N-1)x5.08
Dim C=(N+1)x5.08
Dim D=(N-1)x5.08+15.2

Poles	Dim A&B	Dim C&D
2P-4P	±0.15	±0.20
5P-8P	±0.20	±0.25
9P-12P	±0.25	±0.30
13P-15P	±0.30	±0.35
16P-18P	±0.35	±0.40
19P-24P	±0.40	±0.45