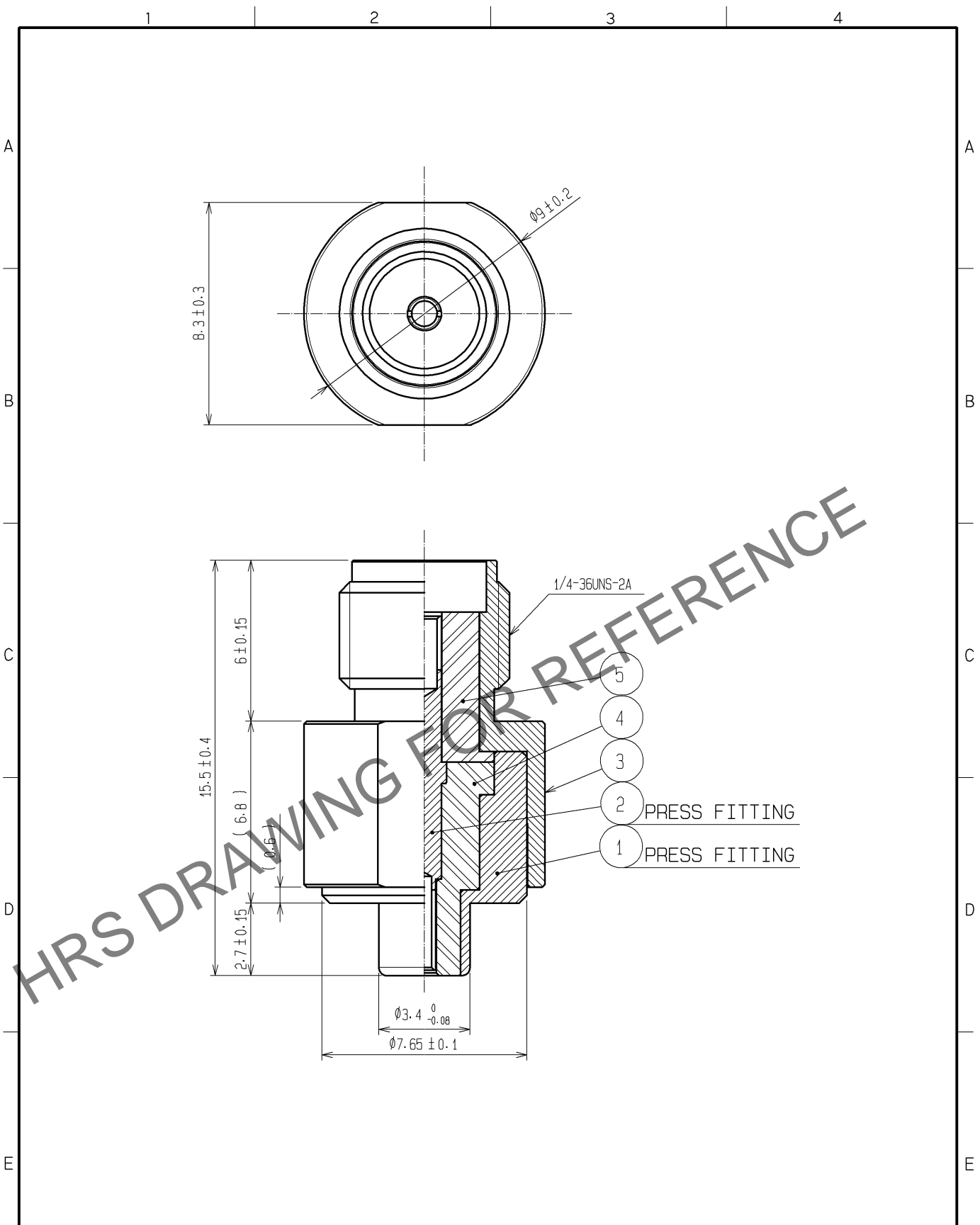


Sep.1.2023 Copyright 2023 HIROSE ELECTRIC CO., LTD. All Rights Reserved.
 In case of consideration for using Automotive equipment / device which demand high reliability, kindly contact our sales window correspondents.



3	STAINLESS STEEL	PASSIVATE					
2	BERYLLIUM COPPER	GOLD PLATING	5	PTFE			
1	PHOSPHOR BRONZE	NICKEL PLATING	4	PTFE			
NO.	MATERIAL	FINISH .	REMARKS	NO.	MATERIAL	FINISH .	REMARKS

UNITS mm		SCALE 5 : 1	COUNT 	DESCRIPTION OF REVISIONS	DESIGNED	CHECKED	DATE
HRS HIROSE ELECTRIC CO., LTD.		APPROVED : KJ. KAWAMURA	08.06.06	DRAWING NO.	EDC4-180501-00		
		CHECKED : RZ. KANO	08.06.06	PART NO.	MS-147R-HRMJ		
		DESIGNED : YH. MATSUO	08.06.06	CODE NO.	CL358-0212-0-00		
		DRAWN : AS. KASUGA	08.06.06		1/1		