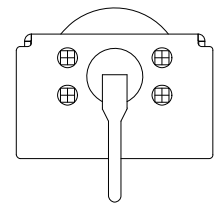
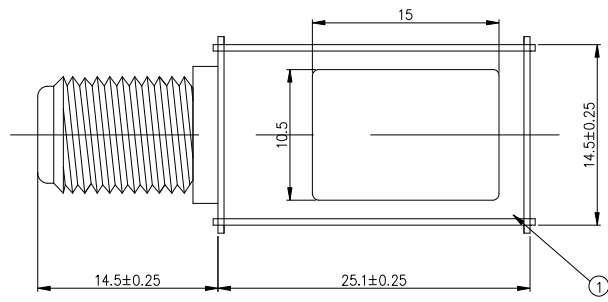
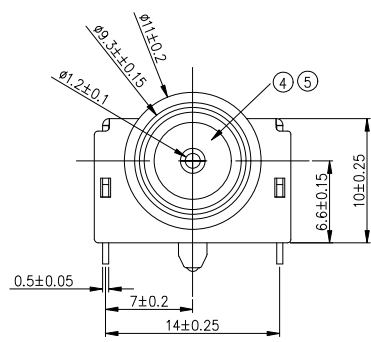
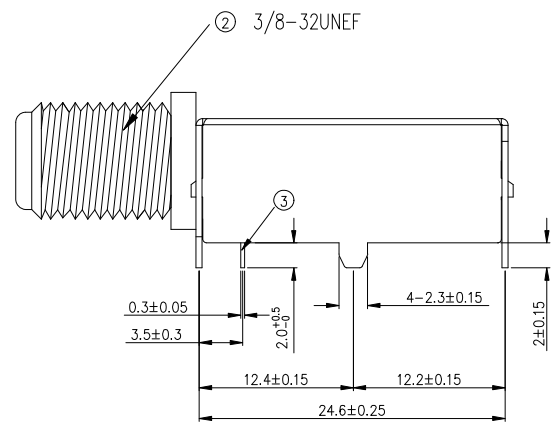


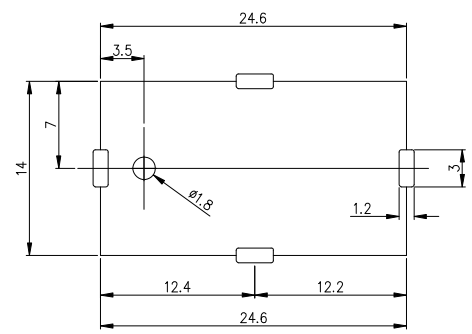
REV.	DESCRIPTION	APVD/DATE
1.0	NEW	



头部铆接方式

SPECIFICATION (技术要求)

- Operating Temperature(环境温度): $-20^{\circ}\text{C}\sim 70^{\circ}\text{C}$
- Voltage Rating(额定电压): 24V AC/DC
- Current Rating(额定电流): 0.5A
- Contact Resistance(接触抗阻): $30\text{m}\Omega$
- Insulation Resistance(绝缘抗阻): $500\text{M}\Omega$
- Dielectric Withstanding Voltage(耐电压): 500V AC Min
- Insertion/Withdrawal Force(插拔力):
 Insertion Force(插入力): $\leq 30\text{N}$
 Withdrawal Force(拔出): $\geq 1\text{N}$
- Life Time(mating cycles)寿命: > 500 Cycles
- All Material Must be Comply With RoHS.
 (此部品所有材料均符合RoHS要求.)



P.C.B 参考图

5	下内件	1	PPS	棕色
4	上内件	1	PPS	棕色
3	信号针	1	磷铜	镀锡
2	RF头	1	Zinc Alloy	镀镍
1	支架	1	马口铁	
NO.	Part Name零件名称	Qty数量	Material材料	Plating/Color镀层及颜色

GENERAL TOLERANCES		DIMENSION:		PART NAME	射频频插座	DRAWING NO			
0-10: ± 0.20		26-50: ± 0.40						DRAWING NO	
11-25: ± 0.30		ANGULAR: $\pm 2'$		PART NO.	HC-PBZ-R2414T	PROJECTION	SCALE	UNIT	REV
DRAWN				CUSTOMER NAME				mm	1.0
CHECKED				CUSTOMER P/N		深圳市虹成电子有限公司			
APPROVED									