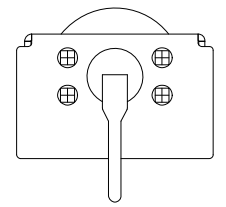
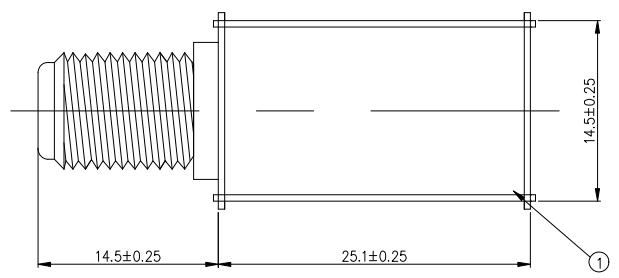
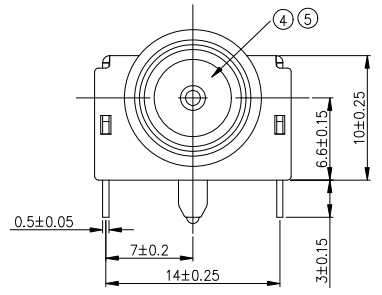
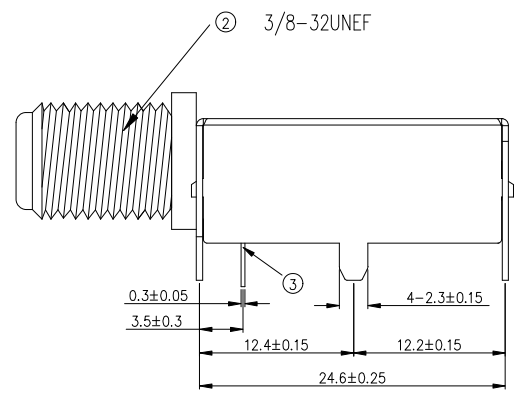
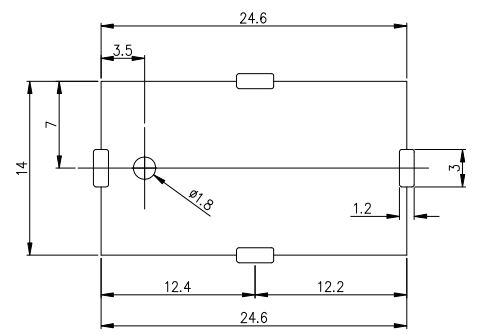


REV.	DESCRIPTION	APVD/DATE
1.0	NEW	



头部铆接方式



P.C.B 参考图

SPECIFICATION (技术要求)

- Operating Temperature(环境温度):  $-20^{\circ}\text{C}\sim 70^{\circ}\text{C}$
- Voltage Rating(额定电压): 24V AC/DC
- Current Rating(额定电流): 0.5A
- Contact Resistance(接触阻抗):  $30\text{m}\Omega$
- Insulation Resistance(绝缘阻抗):  $500\text{M}\Omega$
- Dielectric Withstanding Voltage(耐电压): 500V AC Min
- Insertion/Withdrawal Force(插拔力):  
 Insertion Force(插入力):  $\leq 30\text{N}$   
 Withdrawal Force(拔出力):  $\geq 1\text{N}$
- Life Time(mating cycles)寿命:  $>500$  Cycles
- All Material Must be Comply With RoHS.  
 (此部品所有材料均符合RoHS要求.)

5	下内件	1	PPS	棕色
4	上内件	1	PPS	棕色
3	信号针	1	磷铜	镀锡
2	RF头	1	Zinc Alloy	镀锌
1	支架	1	马口铁	
NO.	Part Name零件名称	Qty数量	Material材料	Plating/Color镀层及颜色

GENERAL TOLERANCES		DIMENSION:		PART NAME	DRAWING NO		SHEET
0-10: $\pm 0.20$		26-50: $\pm 0.40$			射频频插座	HC-PBZ-R2414B	
11-25: $\pm 0.30$		ANGULAR: $\pm 2^{\circ}$		PART NO.		SCALE	UNIT
DRAWN		CUSTOMER NAME			mm	1.0	深圳市虹成电子有限公司 HONG CHENG ELECTRONICS CO., LTD.
CHECKED		CUSTOMER P/N					
APPROVED							