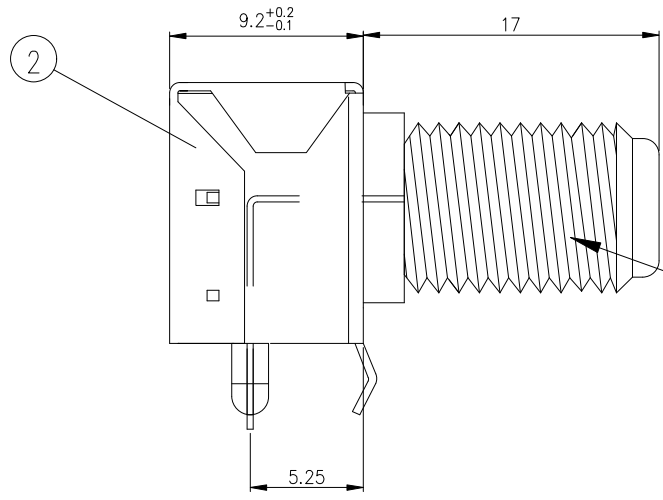
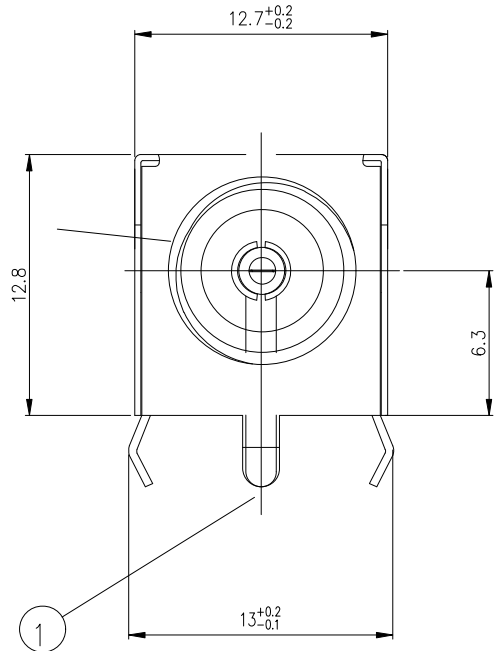
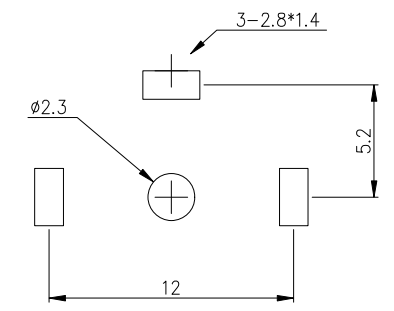


REV.	DESCRIPTION	APVD/DATE
1.0	NEW	



3/8-32UNEF



PCB LAYOUT
(TOP VIEW)
P.C.B开孔示意图

SPECIFICATION

1. Operating Temperature: -20℃~+85℃
2. Voltage Rating: 50V DC
3. Current Rating: 0.5A
4. Contact Resistance: 100mΩ Max
5. Insulation Resistance: 100MΩ Min
6. Dielectric Withstanding Voltage: 500V AC Min
7. Insertion Force: 50N MAX
Extraction Force: 5N MIN
8. Life Operation: 1000 Cycles
9. Product Weight: 3.6g.
10. All Material Must be Comply With RoHS.

4				
3	铁套	1	SPCC	镀镍
2	插芯	1	磷铜	镀铜锡
1	垫圈	1	PPS	咖啡色
No.	零件名称 Part Name	数量Qty	材料 Material	镀层及颜色 Plating/Color

GENERAL TOLERANCES		DIMENSION:		PART NAME	IF 型射频插座	DRAWING NO			SHEET
0-10: ±0.2		26-50: ±0.4							
11-25: ±0.3		ANGULAR: ±2'		PART NO.	HC-PBZ-R18H	PROJECTION	SCALE	UNIT	REV
DRAWN				CUSTOMER NAME			1:2	mm	1.0
CHECKED				CUSTOMER P/N		深圳市虹成电子有限公司			
APPROVED									