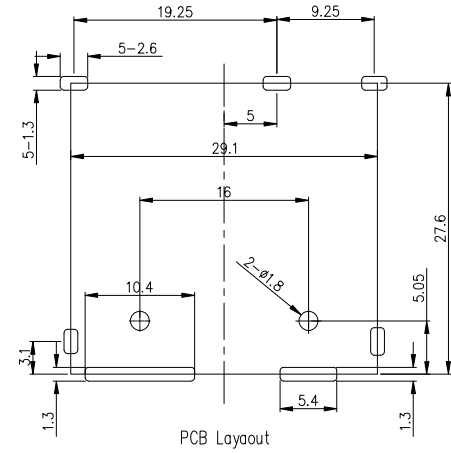
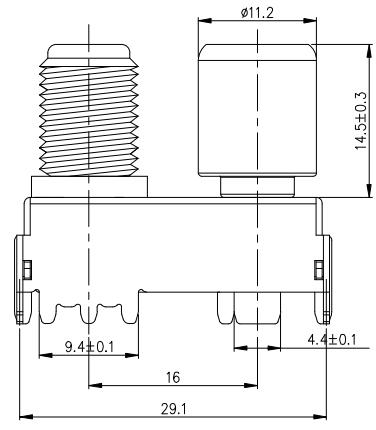
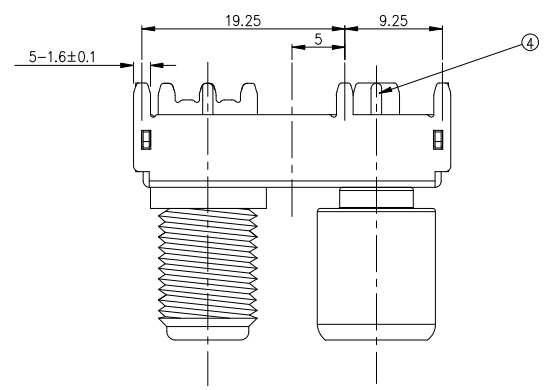
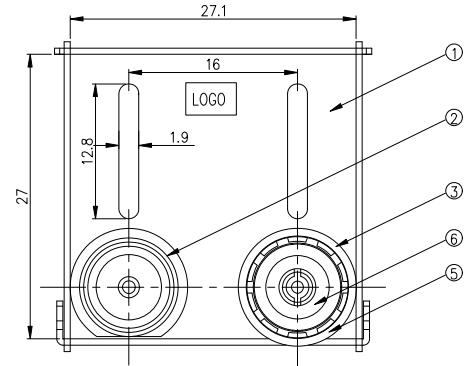
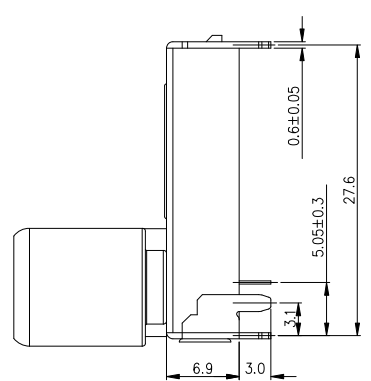


7	8	9
标记	次数	更改单号



**SPECIFICATION (技术要求)**  
 1. Operating Temperature (环境温度): -25℃~85℃  
 2. Voltage Rating (额定电压): 50V AC/DC  
 3. Current Rating (额定电流): 0.5A  
 4. Contact Resistance (接触电阻): 30mΩ  
 5. Insulation Resistance (绝缘电阻): 100MΩ  
 6. Dielectric Withstanding Voltage (耐电压): 500V AC Min  
 7. Insertion/Withdrawal Force (插拔力): 3-50N  
 8. Life Time (mating cycles) 寿命: >1000 Cycles  
 9. All Material Must be Comply With RoHS.  
 (此部品所有材料均符合RoHS要求.)



6	绝缘体	2	PPS	IEC头棕色/RF头棕色
5	接触片	1	不锈钢	-
4	插芯	2	磷铜	D.CuSn≥0.5μm
3	壳体	1	冷轧板	D.Ni≥1μm
2	RF头	1	Zinc Alloy	D.Ni≥1μm
1	Bracket 支架	1	冷轧板 t=0.6mm	D.CuSn≥0.5μm
NO.	Part Name 零件名称	Qty 数量	Material 材料	Plating/Color 镀层及颜色

GENERAL TOLERANCES		DIMENSION:		PART NAME	DRAWING NO			SHEET
.XX±0.20		X±0.40			射频插座	HC-PBZ-R106-01		
.X±0.30		ANGULAR: ±5°		PART NO.		PROJECTION	SCALE	UNIT
DRAWN				CUSTOMER NAME			mm	1.0
CHECKED				CUSTOMER P/N	深圳市虹成电子有限公司			
APPROVED								