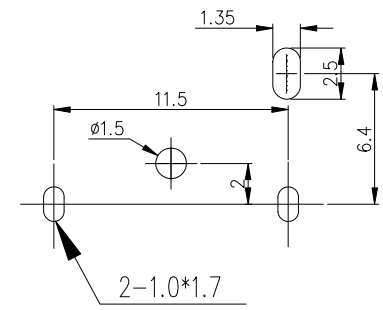
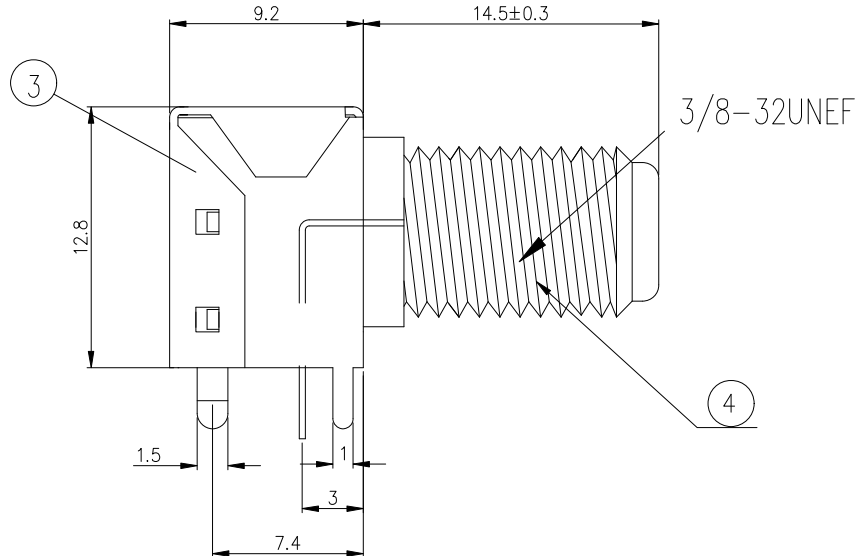
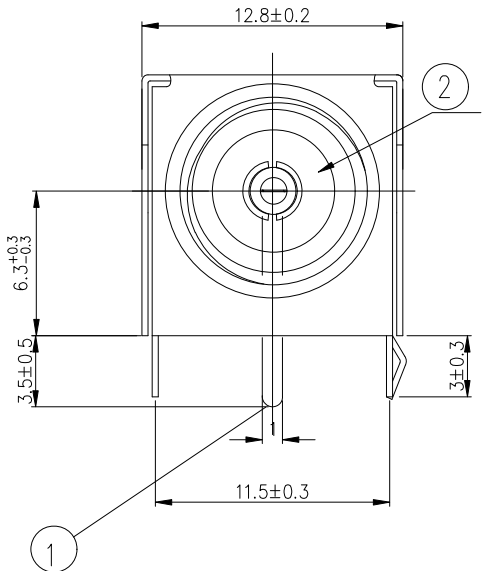


REV.	DESCRIPTION	APVD/DATE
1.0	NEW	



PCB LAYOUT  
(TOP VIEW)  
P.C.B开孔示意图

**SPECIFICATION**

- Operating Temperature:  $-20^{\circ}\text{C}\sim+85^{\circ}\text{C}$
- Voltage Rating: 50V DC
- Current Rating: 0.5A
- Contact Resistance: 50m $\Omega$  Max
- Insulation Resistance: 100M $\Omega$  Min
- Dielectric Withstanding Voltage: 500V AC Min
- Insertion Force: 50N MAX  
Extraction Force: 3N MIN
- Life Operation: 1000 Cycles
- All Material Must be Comply With RoHS.

4	螺纹外壳	1	锌合金	镀镍
3	底座	1	SPCC	镀镍
2	绝缘塑胶	1	PPS	咖啡色
1	信号端	1	磷铜	镀铜锡
No.	零件名称 Part Name	数量Qty	材料 Material	镀层及颜色 Plating/Color

GENERAL TOLERANCES		DIMENSION:		PART NAME	IF 型射频插座	DRAWING NO			SHEET
0-10: ±0.2		26-50: ±0.4							
11-25: ±0.3		ANGULAR: ±2'		PART NO.	HC-PBZ-R08	PROJECTION	SCALE	UNIT	REV
DRAWN				CUSTOMER NAME			1:2	mm	1.0
CHECKED				CUSTOMER P/N		深圳市虹成电子有限公司			
APPROVED									