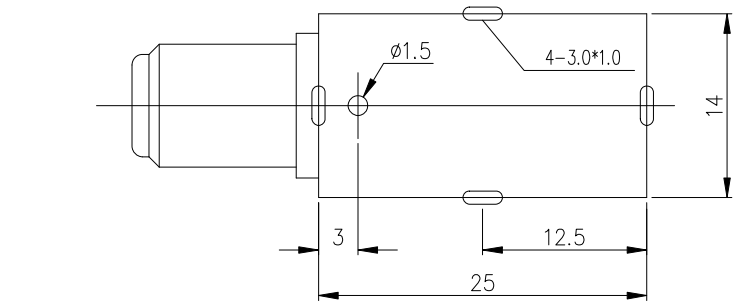
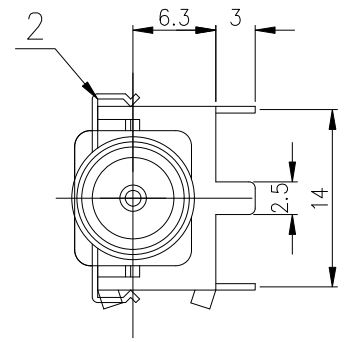
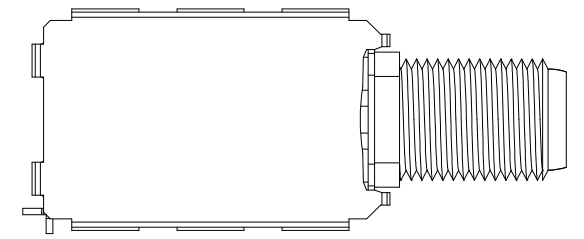
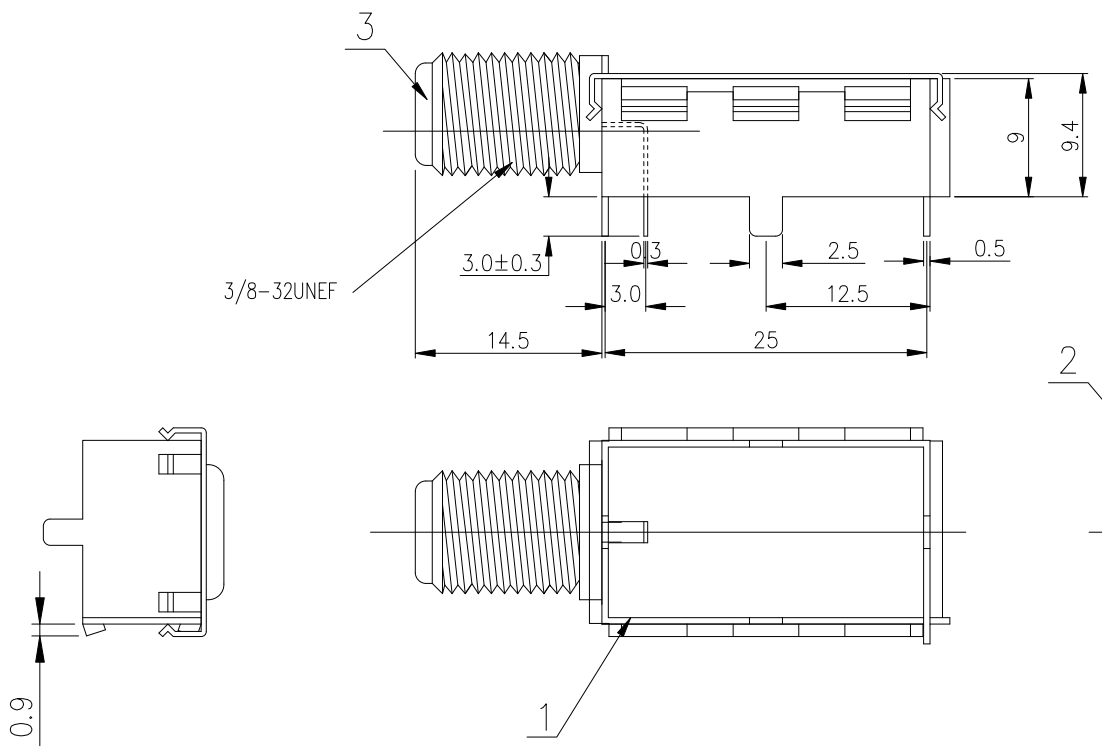


REV.	DESCRIPTION	APVD/DATE



P.C.B.开孔示意图

NO.	Part Name 零件名称	Qty 数量	Material 材料	Plating/Color 镀层及颜色
3	RF头	1	Zinc Alloy+PA66+Phosphor copper	镀色 螺头 Ni: 40μ~120μ 螺柱 Tin>120μ
2	Bracket cap 支架盖	1	铁皮 T=0.3mm	Cu >40μ, CuSn>40μ
1	Bracket 支架	1	铁皮 T=0.5mm	Cu >40μ, CuSn>40μ

GENERAL TOLERANCES		DIMENSION:		PART NAME	射频频插座	DRAWING NO			
0-10: ±0.20		26-50: ±0.40						SHEET	
11-25: ±0.30		ANGULAR: ±2'		PART NO.	HC-PBZ-R047B	PROJECTION	SCALE	UNIT	REV
DRAWN				CUSTOMER NAME			mm	1.0	深圳市虹成电子有限公司
CHECKED				CUSTOMER P/N					
APPROVED									