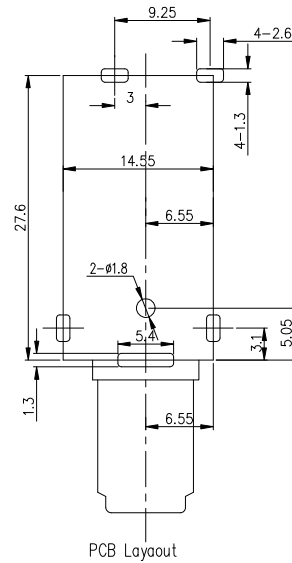
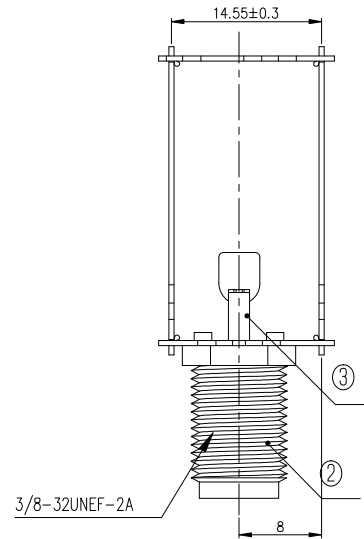
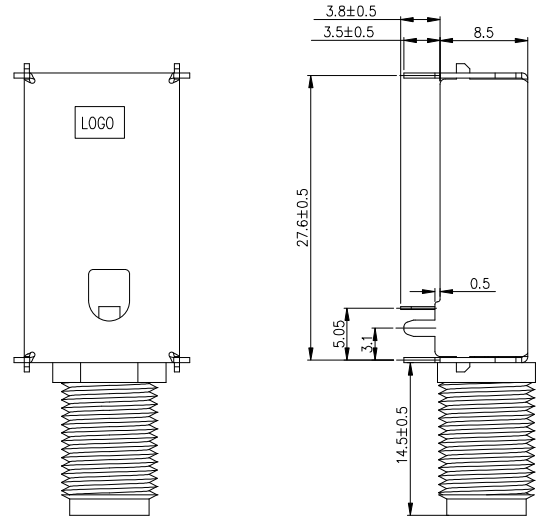
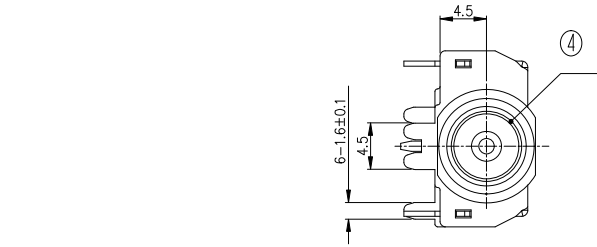
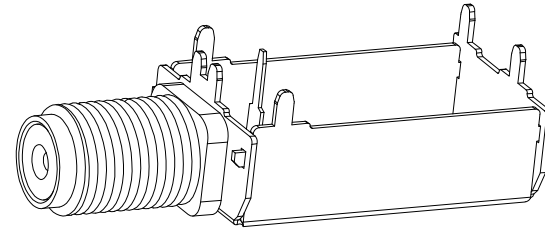
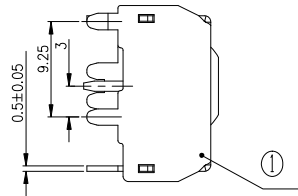


7	8	9
标记	次数	更改单号
		签名
		日期



SPECIFICATION (技术要求)

1. Operating Temperature(环境温度): -25℃~85℃
2. Voltage Rating(额定电压): 50V AC/DC
3. Current Rating(额定电流): 0.5A
4. Contact Resistance(接触电阻): 30mΩ
5. Insulation Resistance(绝缘电阻): 100MΩ
6. Dielectric Withstanding Voltage(耐电压): 500V AC Min
7. Insertion/Withdrawal Force(插拔力): 3-50N
8. Life Time(mating cycles)寿命: >1000 Cycles
9. All Material Must be Comply With RoHS.
(此部品所有材料均符合RoHS要求.)



注: 距铆接处推力满足50mm 7kg 螺纹头无脱落。

4	绝缘体	2	PA66	棕色
3	插芯	1	磷铜	D.CuSn≥0.5μm
2	RF头	1	Zinc Alloy	D.Ni≥1μm
1	Bracket 支架	1	冷轧板 t=0.5mm	D.CuSn≥0.5μm
NO.	Part Name零件名称	Qty数量	Material材料	Plating/Color镀层及颜色

GENERAL TOLERANCES		DIMENSION:		PART NAME	射频频插座	DRAWING NO			SHEET 1 OF 1
.XX±0.20		X±0.40				PART NO.	HC-PBZ-R041	PROJECTION	
.X±0.30		ANGULAR: ±2'		CUSTOMER NAME					
DRAWN						CUSTOMER P/N	深圳市虹成电子有限公司		
CHECKED									
APPROVED									