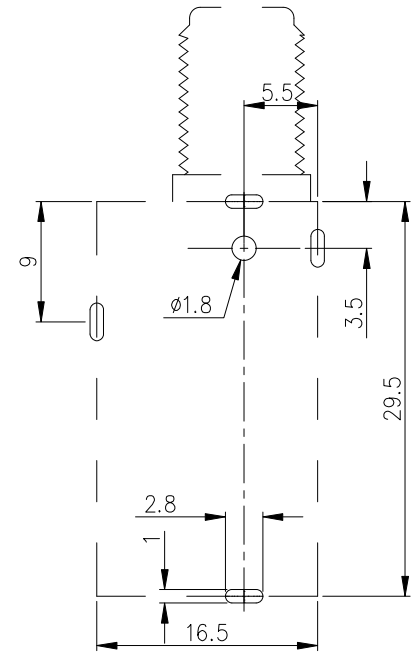
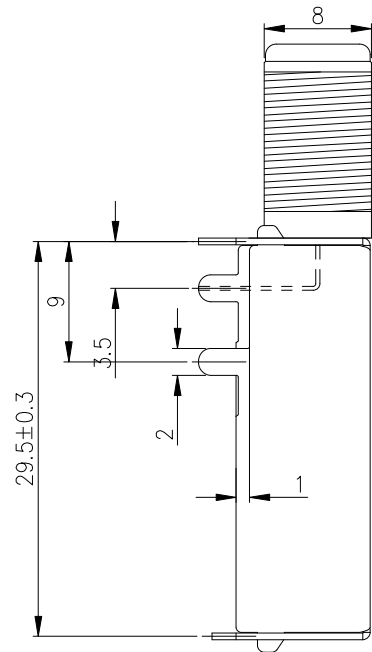
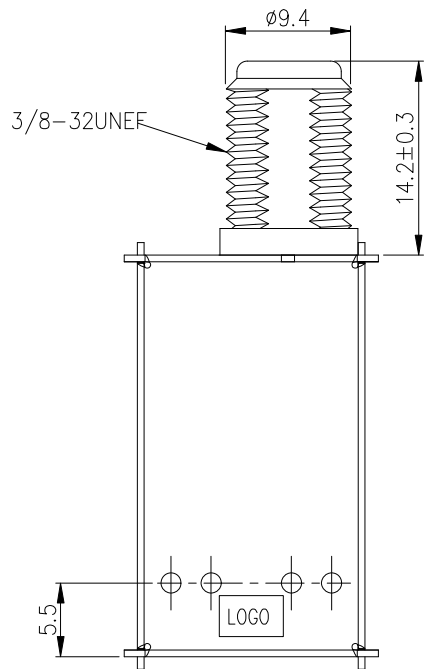
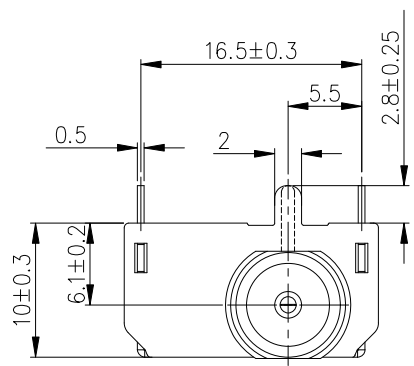


REV.	DESCRIPTION	APVD/DATE
1.1	脚长1.8更改为2.8	赵顺黎/2020.11.23



Recommend PCB Layout  
Tolerance: ±0.05mm



SPECIFICATION

- Operating Temperature: -20℃~+85℃
- Voltage Rating: 50V DC
- Current Rating: 0.5A
- Contact Resistance: 100mΩ Max
- Insulation Resistance: 100MΩ min
- Dielectric Withstanding Voltage: 500V AC Min
- Insertion Force: 50N MAX  
Extraction Force: 3N min
- Life Operation: 1000 Cycles
- All Material Must be Comply With RoHS.

5	螺纹头	1	锌合金	镀镍>1um
4	支架	1	SPCC t=0.5	镀铜镍>1um
3	插芯	1	磷铜	镀铜镍>1um
2	上内件	1	PPS	灰色
1	下内件	1	PPS	灰色
No.	零件名称 Part Name	数量Qty	材料 Material	镀层及颜色 Plating/Color

GENERAL TOLERANCES		DIMENSION:		PART NAME	DRAWING NO				
0-10: ±0.3	26-50: ±0.5	ANGULAR: ±2°			射频频插座	DRAWING NO			SHEET
11-25: ±0.4				PART NO.		HC-PBZ-R03704	PROJECTION	SCALE	UNIT
DRAWN				CUSTOMER NAME	深圳市虹成电子有限公司				
CHECKED				CUSTOMER P/N					
APPROVED									

