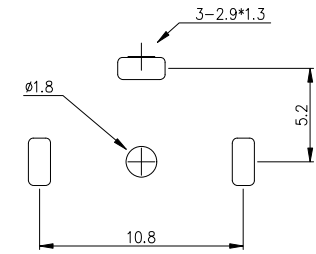
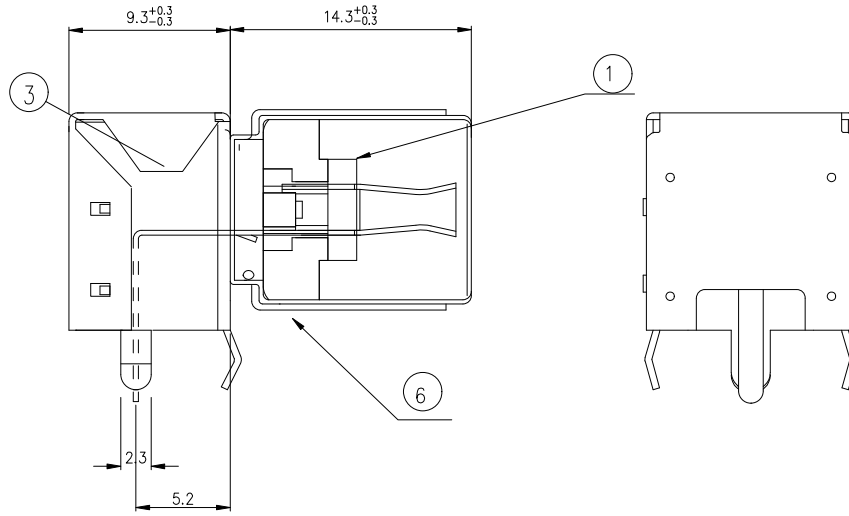
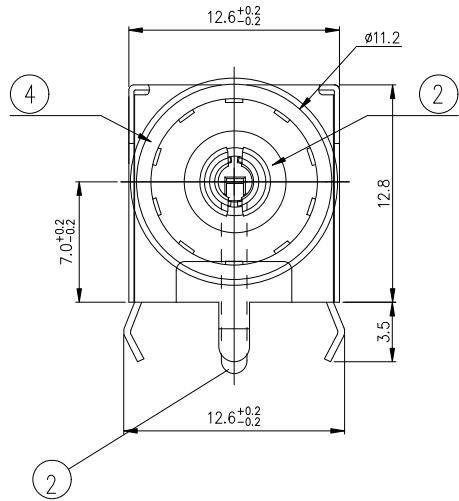
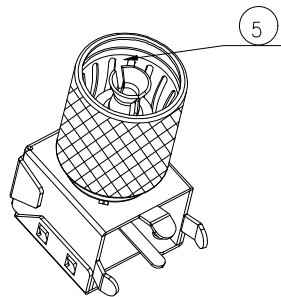


REV.	DESCRIPTION	APVD/DATE
1.0	NEW	



PCB LAYOUT  
(TOP VIEW)  
P.C.B开孔示意图



SPECIFICATION

- Operating Temperature:  $-20^{\circ}\text{C}\sim+70^{\circ}\text{C}$
- Voltage Rating: 50V DC
- Current Rating: 0.5A
- Contact Resistance: 50mΩ Max
- Insulation Resistance: 100MΩ min
- Dielectric Withstanding Voltage: 250V AC Min
- Insertion Force: 50N MAX  
Extraction Force: 3N min
- Life Operation: 1000 Cycles
- All Material Must be Comply With RoHS.

6	热缩管	1	聚烯烃	黑色
5	接触片	1	高精磷铜	镀铜锡
4	拉伸套	1	SPCC	镀锌
3	支架	1	SPCC	镀锌
2	插芯	1	高精磷铜	镀铜锡
1	垫圈	1	PPS	黑色/咖啡色 <small>(按200规格 不穿P/N)</small>
No.	零件名称 Part Name	数量Qty	材料 Material	镀层及颜色 Plating/Color

GENERAL TOLERANCES		DIMENSION:		PART NAME	IF 型射频插座	DRAWING NO			SHEET
0-10: ±0.2		26-50: ±0.4							
11-25: ±0.3		ANGULAR: ±2'		PART NO.	HC-PBZ-I70	PROJECTION	SCALE	UNIT	REV
DRAWN				CUSTOMER NAME				mm	1.0
CHECKED				CUSTOMER P/N		深圳市虹成电子有限公司			
APPROVED									