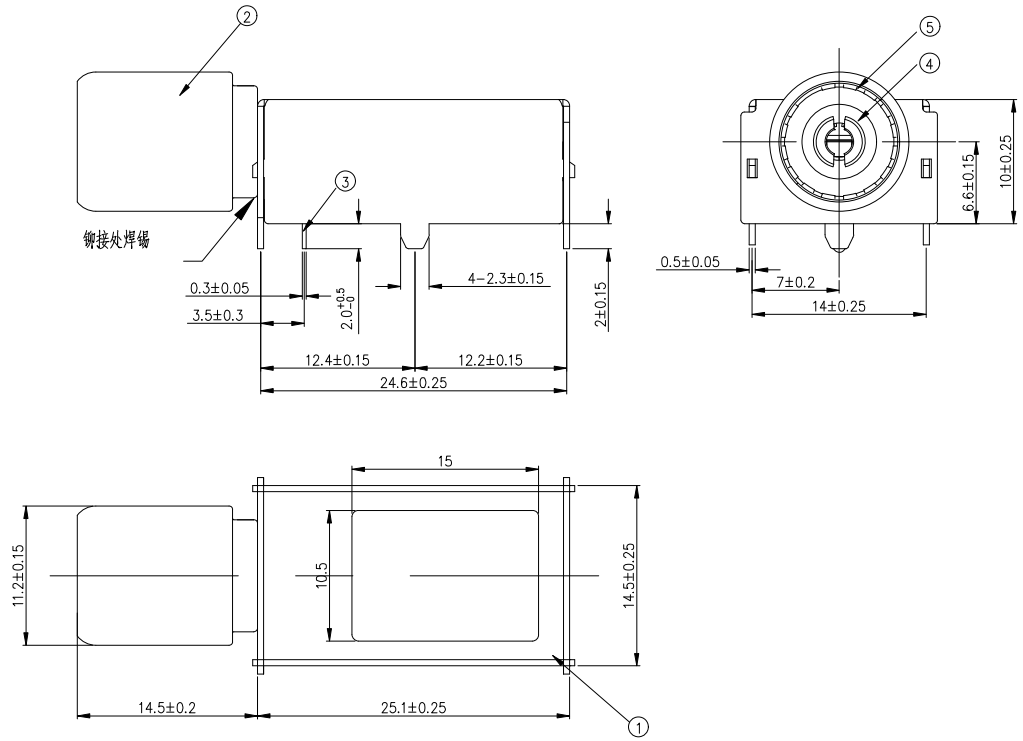


REV.	DESCRIPTION	APVD/DATE
1.0	NEW	



SPECIFICATION (技术要求)

- Operating Temperature(环境温度): $-20^{\circ}\text{C}\sim 75^{\circ}\text{C}$
- Voltage Rating(额定电压): 24V AC/DC
- Current Rating(额定电流): 0.5A
- Contact Resistance(接触电阻): 30mΩ
- Insulation Resistance(绝缘电阻): 500MΩ
- Dielectric Withstanding Voltage(耐电压): 500V AC Min
- Insertion/Withdrawal Force(插拔力):
 Insertion Force(插入力): $\leq 50\text{N}$
 Withdrawal Force(拔出力): $\geq 1\text{N}$
- Life Time(mating cycles)寿命: > 500 Cycles
- All Material Must be Comply With RoHS.
 (此部品所有材料均符合RoHS要求.)

5	卡圈	1	不锈钢	
4	肉件	1	PPS	黑色
3	信号针	1	磷铜	镀锡
2	铁套	1	冷轧板	镀锌
1	支架	1	马口铁	
NO.	Part Name零件名称	Qty数量	Material材料	Plating/Color镀层及颜色

P.C.B 参考图

GENERAL TOLERANCES		DIMENSION:		PART NAME	DRAWING NO		SHEET	
0-10: ± 0.20		26-50: ± 0.40			射频频插座	HC-PBZ-I2414TM		1 OF 1
11-25: ± 0.30		ANGULAR: $\pm 2^{\circ}$		PART NO.		PROJECTION	SCALE	UNIT
DRAWN		CUSTOMER NAME					mm	REV
CHECKED		CUSTOMER P/N						
APPROVED						深圳市虹成电子有限公司		