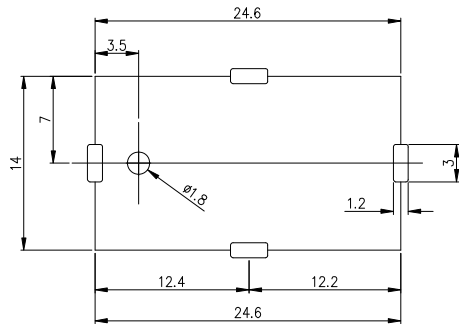
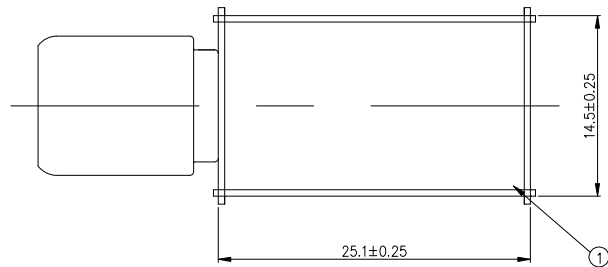
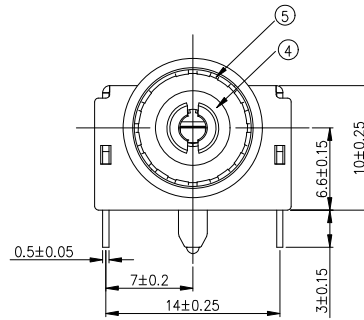
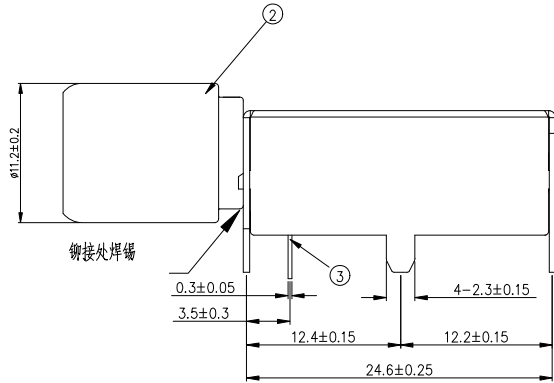


REV.	DESCRIPTION	APVD/DATE
1.0	NEW	



P.C.B 参考图

SPECIFICATION (技术要求)

- Operating Temperature(环境温度):  $-20^{\circ}\text{C}\sim 70^{\circ}\text{C}$
- Voltage Rating(额定电压): 24V AC/DC
- Current Rating(额定电流): 0.5A
- Contact Resistance(接触电阻): 30m $\Omega$
- Insulation Resistance(绝缘电阻): 500M $\Omega$
- Dielectric Withstanding Voltage(耐电压): 500V AC Min
- Insertion/Withdrawal Force(插拔力):  
 Insertion Force(插入力):  $\leq 50\text{N}$   
 Withdrawal Force(拔出力):  $\geq 1\text{N}$
- Life Time(mating cycles)寿命:  $> 500$  Cycles
- All Material Must be Comply With RoHS.  
 (此部品所有材料均符合RoHS要求.)

5	卡圈	1	不锈钢	
4	内件	1	PPS	黑色
3	信号针	1	磷铜	镀锡
2	铁套	1	冷轧板	镀锌
1	支架	1	马口铁	
NO.	Part Name零件名称	Qty数量	Material材料	Plating/Color镀层及颜色

GENERAL TOLERANCES		DIMENSION:		PART NAME	射频频插座	DRAWING NO			
0-10: $\pm 0.20$		26-50: $\pm 0.40$						DRAWING NO	
11-25: $\pm 0.30$		ANGULAR: $\pm 2^{\circ}$		PART NO.	HC-PBZ-I2414MFB	PROJECTION	SCALE	UNIT	REV
DRAWN		CUSTOMER NAME						mm	1.0
CHECKED		CUSTOMER P/N		深圳市虹成电子有限公司					
APPROVED									