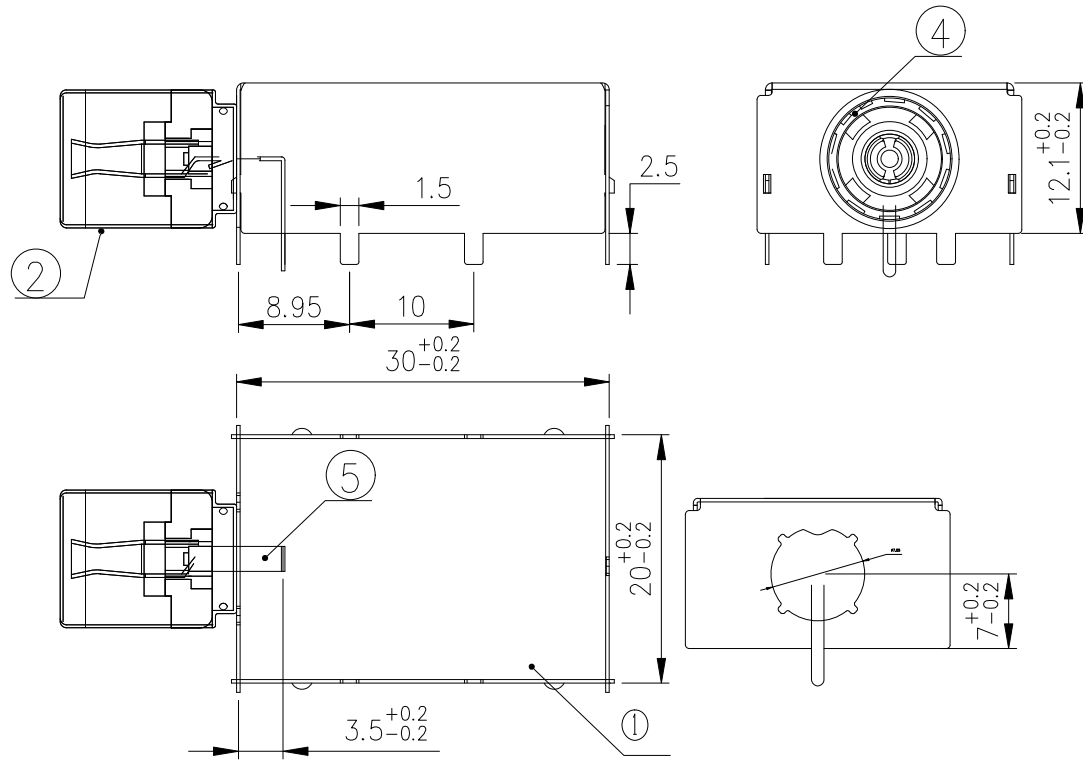
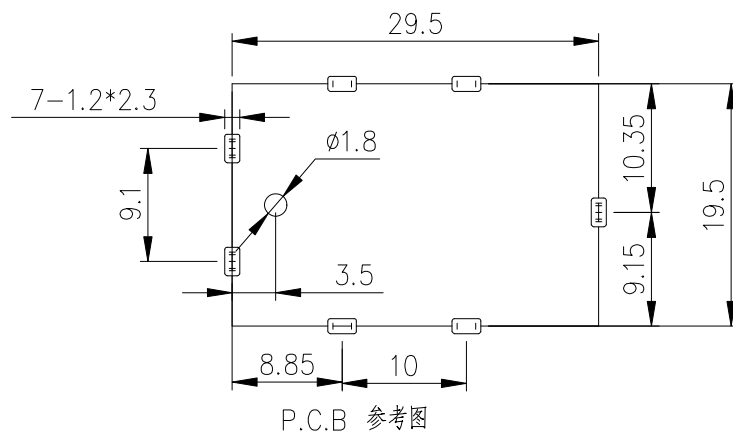


| REV. | DESCRIPTION | APVD/DATE |
|------|-------------|-----------|
| 1.0 | NEW | |
| | | |
| | | |



SPECIFICATION (技术要求)

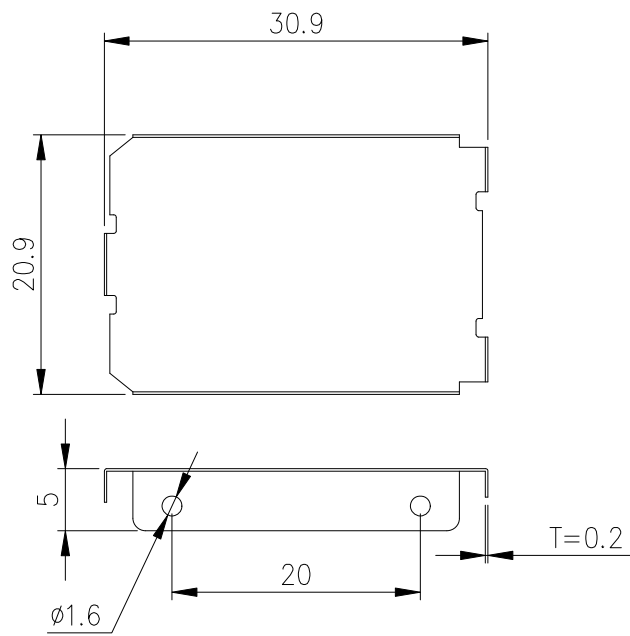
- Operating Temperature(环境温度): $-20^{\circ}\text{C}\sim 70^{\circ}\text{C}$
- Voltage Rating(额定电压): 24V AC/DC
- Current Rating(额定电流): 0.5A
- Contact Resistance(接触抗阻): $30\text{m}\Omega$
- Insulation Resistance(绝缘抗阻): $500\text{M}\Omega$
- Dielectric Withstanding Voltage(耐电压): 500V AC Min
- Insertion/Withdrawal Force(插拔力):
Insertion Force(插入力): $\leq 30\text{N}$
Withdrawal Force(拔出): $\geq 10\text{N}$
- Life Time(mating cycles)寿命: > 500 Cycles
- All Material Must be Comply With RoHS.
(此部品所有材料均符合RoHS要求.)



| | | | | |
|-----|---------------|-------|------------|------------------------------|
| 5 | 插芯 | 1 | 磷铜 | D.CuSn $\geq 0.5\mu\text{m}$ |
| 4 | 接触片 | 1 | 不锈钢 | - |
| 3 | 插芯 | 1 | 磷铜 | D.CuSn $\geq 0.5\mu\text{m}$ |
| 2 | 壳体 | 1 | 冷轧板 | D.Ni $\geq 1\mu\text{m}$ |
| 1 | 支架 | 1 | 马口铁 | - |
| NO. | Part Name零件名称 | Qty数量 | Material材料 | Plating/Color镀层及颜色 |

| GENERAL TOLERANCES | | DIMENSION: | | PART NAME | DRAWING NO | | SHEET |
|--------------------|--|-------------------|--|---------------|--------------|------------|-------|
| 0-10: ± 0.20 | | 26-50: ± 0.40 | | | 射频插座 | | |
| 11-25: ± 0.30 | | ANGULAR: $\pm 2'$ | | PART NO. | HC-PBZ-I2030 | PROJECTION | SCALE |
| | | | | CUSTOMER NAME | | | UNIT |
| DRAWN | | | | CUSTOMER P/N | | | mm |
| CHECKED | | | | | | | REV |
| APPROVED | | | | | | | 1.0 |
| | | | | | 深圳市虹成电子有限公司 | | |

| REV. | DESCRIPTION | APVD/DATE |
|------|-------------|-----------|
| 1.0 | NEW | |
| | | |
| | | |



SPECIFICATION (技术要求)

- Operating Temperature(环境温度): $-20^{\circ}\text{C}\sim 70^{\circ}\text{C}$
- Voltage Rating(额定电压): 24V AC/DC
- Current Rating(额定电流): 0.5A
- Contact Resistance(接触抗阻): $30\text{m}\Omega$
- Insulation Resistance(绝缘抗阻): $500\text{M}\Omega$
- Dielectric Withstanding Voltage(耐电压): 500V AC Min
- Insertion/Withdrawal Force(插拔力):
 Insertion Force(插入力): $\leq 30\text{N}$
 Withdrawal Force(拔出力): $\geq 10\text{N}$
- Life Time(mating cycles)寿命: >500 Cycles
- All Material Must be Comply With RoHS.
 (此部品所有材料均符合RoHS要求。)

| NO. | Part Name 零件名称 | Qty 数量 | Material 材料 | Plating/Color 镀层及颜色 |
|-----|----------------|--------|-------------|---------------------|
| | 盖子 | 1 | 马口铁 | |

| GENERAL TOLERANCES | | DIMENSION: | | PART NAME | 射频频插座 | DRAWING NO | | | SHEET |
|--------------------|--|-------------------|--|---------------|-----------------|-------------|-------|------|-------|
| 0-10: ± 0.20 | | 26-50: ± 0.40 | | | | | | | |
| 11-25: ± 0.30 | | ANGULAR: $\pm 2'$ | | PART NO. | HC-PBZ-I2030 盖子 | PROJECTION | SCALE | UNIT | REV |
| DRAWN | | | | CUSTOMER NAME | | | | mm | 1.0 |
| CHECKED | | | | CUSTOMER P/N | | 深圳市虹成电子有限公司 | | | |
| APPROVED | | | | | | | | | |