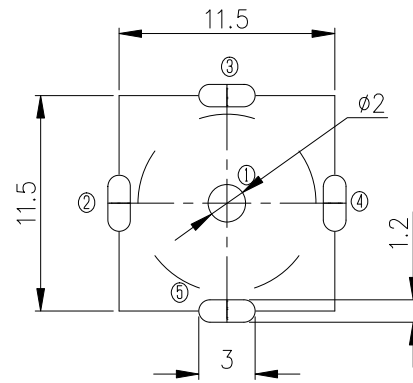
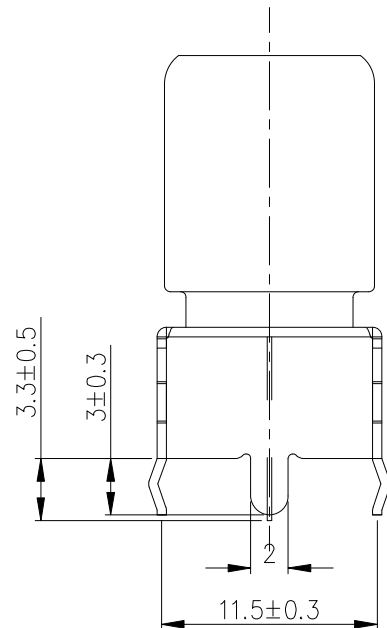
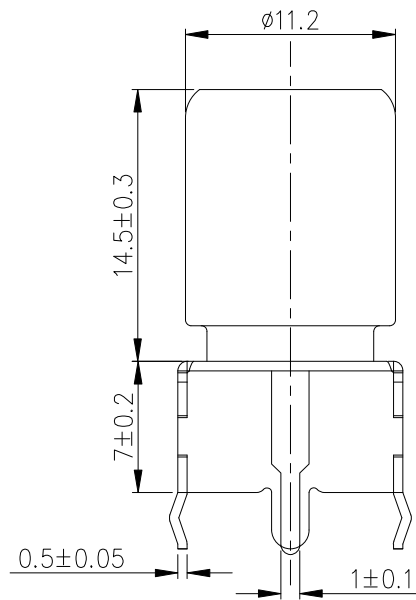


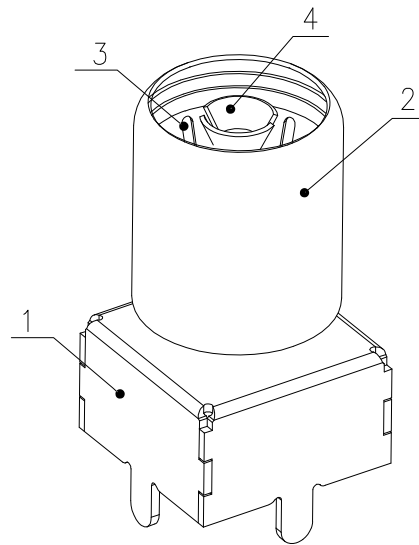
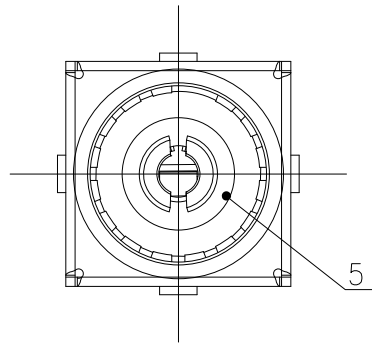
REV.	DESCRIPTION	APVD/DATE
1.0	NEW	



PCB LAYOUT
(TOP VIEW)
P.C.B开孔示意图

SPECIFICATION

- Operating Temperature: $-20^{\circ}\text{C} \sim +70^{\circ}\text{C}$
- Voltage Rating: 50V DC
- Current Rating: 0.5A
- Contact Resistance: $50\text{m}\Omega$ Max
- Insulation Resistance: $100\text{M}\Omega$ min
- Dielectric Withstanding Voltage: 250V AC Min
- Insertion Force: 50N MAX
Extraction Force: 3N min
- Life Operation: 1000 Cycles
- All Material Must be Comply With RoHS.



No.	Part Name	Qty	Material/Part No	Plating/Color
5	绝缘体	1	PPS	黑色
4	插芯	1	磷铜=0.3	Tin Plated
3	接触片	1	不锈钢	
2	壳体	1	冷轧板	CuSn Plated
1	支架	1	冷轧板	CuSn Plated

GENERAL TOLERANCES		DIMENSION:		PART NAME	DRAWING NO	SHEET			
0-10: ± 0.2		26-50: ± 0.4				IF型射频插座	HC-PBZ-I1212	PROJECTION 	SCALE
11-25: ± 0.3		ANGULAR: $\pm 2'$			mm				1.0
DRAWN		CHECKED		CUSTOMER NAME	深圳市虹成电子有限公司				
APPROVED		CUSTOMER P/N							