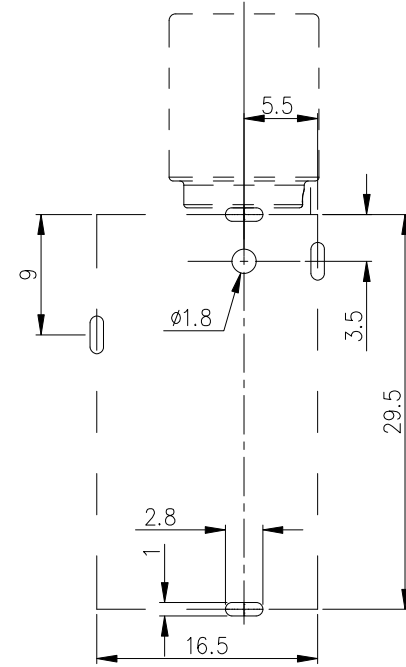
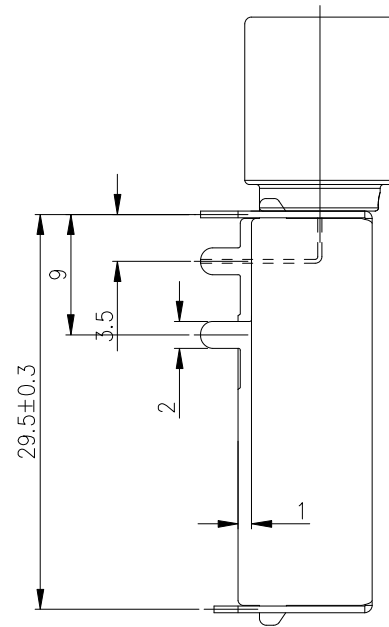
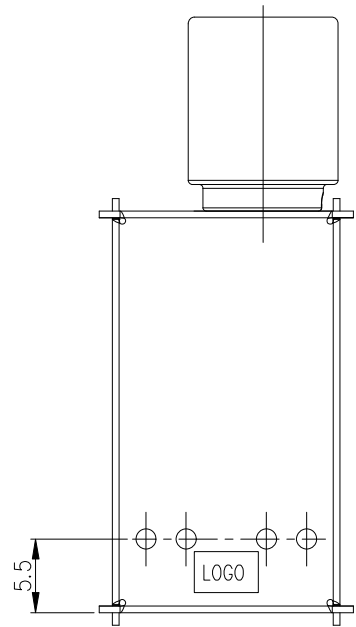
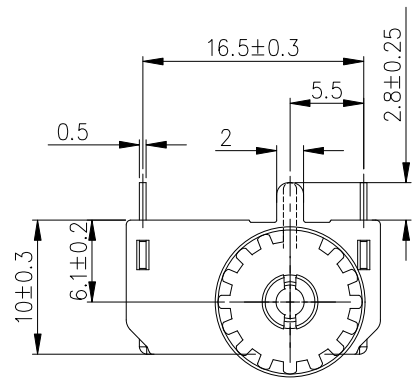


REV.	DESCRIPTION	APVD/DATE
1.1	脚长1.8更改为2.8	赵顺黎/2020.11.23



Recommend PCB Layout
Tolerance: ±0.05mm



SPECIFICATION

1. Operating Temperature: -20℃~+85℃
2. Voltage Rating: 50V DC
3. Current Rating: 0.5A
4. Contact Resistance: 100mΩ Max
5. Insulation Resistance: 100MΩ min
6. Dielectric Withstanding Voltage: 500V AC Min
7. Insertion Force: 50N MAX
Extraction Force: 3N min
8. Life Operation: 1000 Cycles
9. All Material Must be Comply With RoHS.

5	螺纹头	1	锌合金	镀镍>1um
4	支架	1	SPCC t=0.5	镀铜镍>1um
3	插芯	1	磷铜	镀铜镍>1um
2	上内件	1	PPS	灰色
1	下内件	1	PPS	灰色
No.	零件名称 Part Name	数量Qty	材料 Material	镀层及颜色 Plating/Color

GENERAL TOLERANCES		DIMENSION:		PART NAME	射频频插座	DRAWING NO			SHEET
0-10: ±0.3	26-50: ±0.5	PART NO.				HC-PBZ-I03704	PROJECTION	SCALE	UNIT
11-25: ±0.4	ANGULAR: ±2'	CUSTOMER NAME		深圳市虹成电子有限公司					
DRAWN	CUSTOMER P/N								
CHECKED									
APPROVED									