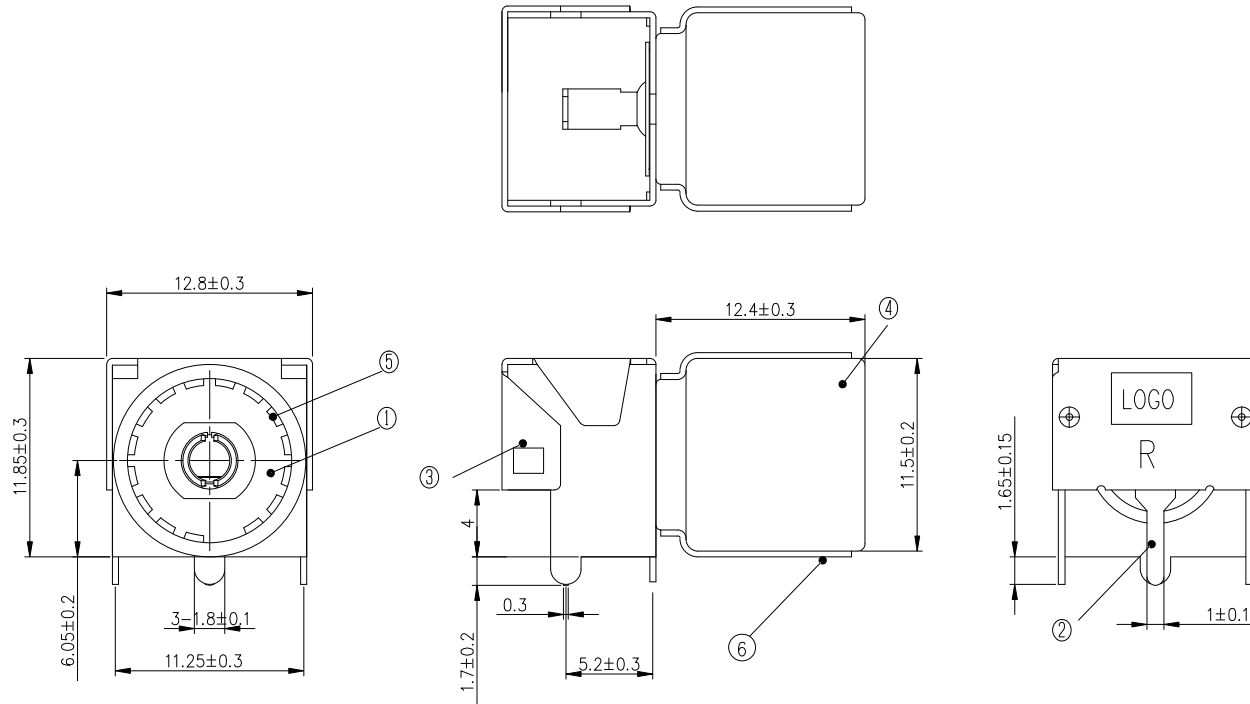
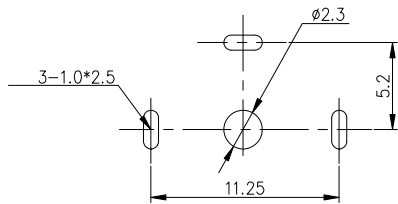


REV.	DESCRIPTION	APVD/DATE
1.0	NEW	



SPECIFICATION

- Operating Temperature: $-20^{\circ}\text{C}\sim+85^{\circ}\text{C}$
- Voltage Rating: 50V DC
- Current Rating: 0.5A
- Contact Resistance: 100m Ω Max
- Insulation Resistance: 100M Ω min
- Dielectric Withstanding Voltage: 500V AC Min
- Insertion Force: 50N MAX
Extraction Force: 5N min
- Life Operation: 1000 Cycles
- All Material Must be Comply With RoHS.



Recommend PCB Layout
Tolerance: $\pm 0.05\text{mm}$

6	热缩管	1	聚烯烃	黑色
5	接触片	1	磷铜	镀铜锡 $>2\mu\text{m}$
4	拉件套	1	SPCC	镀镍 $>2\mu\text{m}$
3	支架	1	SPCC	镀铜锡 $>2\mu\text{m}$
2	插芯	1	磷铜	镀锡 $>2\mu\text{m}$
1	垫圈	1	PPS	棕色
No.	零件名称 Part Name	数量 Qty	材料 Material	镀层及颜色 Plating/Color

GENERAL TOLERANCES		DIMENSION:		PART NAME	DRAWING NO			
0-10: ± 0.3		26-50: ± 0.5			IF 型射频插座	HC-PBZ-I033R		
11-25: ± 0.4		ANGULAR: $\pm 2^{\circ}$		PART NO.		PROJECTION	SCALE	UNIT
DRAWN				CUSTOMER NAME			mm	1.0
CHECKED				CUSTOMER P/N	深圳市虹成电子有限公司			
APPROVED								