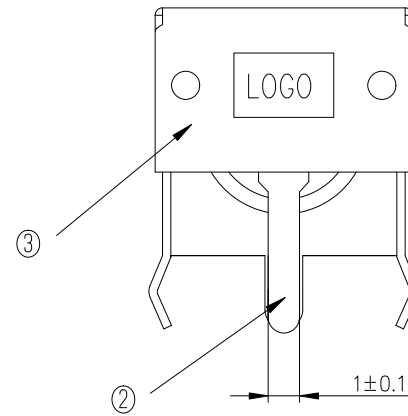
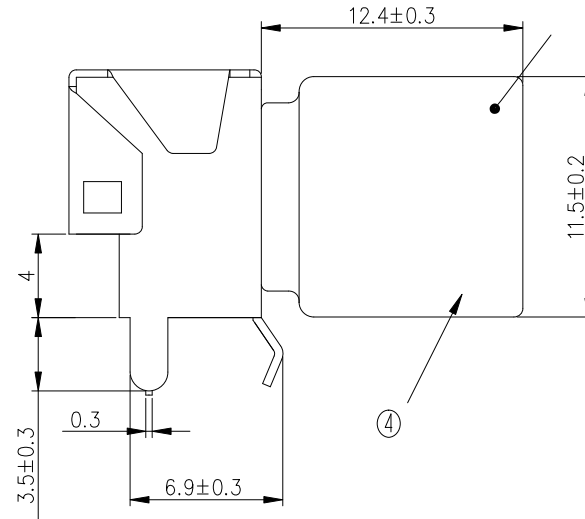
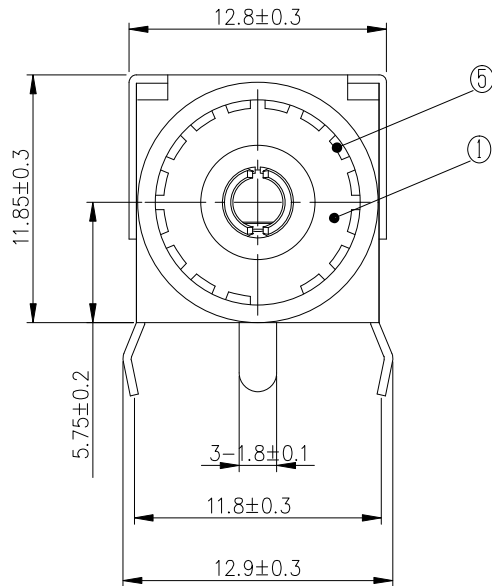
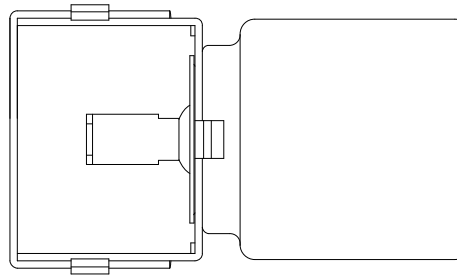


REV.	DESCRIPTION	APVD/DATE
1.1	装配大架, 产品优化	赵顺黎/2020.10.13



SPECIFICATION

1. Operating Temperature: $-20^{\circ}\text{C} \sim +85^{\circ}\text{C}$
2. Voltage Rating: 50V DC
3. Current Rating: 0.5A
4. Contact Resistance: $100\text{m}\Omega$ Max
5. Insulation Resistance: $100\text{M}\Omega$ min
6. Dielectric Withstanding Voltage: 500V AC Min
7. Insertion Force: 50N MAX
Extraction Force: 5N min
8. Life Operation: 1000 Cycles
9. All Material Must be Comply With RoHS.

5	接触片	1	不锈钢 t=0.2	
4	拉伸套	1	黄铜 t=0.3	镀铜锡
3	支架	1	SPCC t=0.4	镀铜锡
2	插芯	1	磷铜 t=0.3	镀铜锡
1	垫圈	1	PPS	黑色
No.	零件名称 Part Name	数量 Qty	材料 Material	镀层及颜色 Plating/Color

GENERAL TOLERANCES		DIMENSION:		PART NAME	DRAWING NO	SHEET		
0-10: ± 0.3		26-50: ± 0.5				IF 型射频插座	HC-PBZ-I033L	1 OF 1
11-25: ± 0.4		ANGULAR: $\pm 2'$		PROJECTION	SCALE			UNIT
DRAWN				CUSTOMER NAME	 深圳市虹成电子有限公司			
CHECKED				CUSTOMER P/N				
APPROVED								