

**MESSRS.**

---

**SPECIFICATION FOR APPROVAL****承 認 书**

<b>Product</b>	<b>DYNAMIC SPEAKER</b>
<b>Part No.</b>	<b>HDK-32100BA-1(RoHS)</b>
<b>Customer Approval</b>	

<b>Approved By</b>	<b>Checked By</b>	<b>Made By</b>
王台平 SEP-03-2014	曹丽萍 SEP-03-2014	LILY SEP-03-2014

**常州华龙电子有限公司****DRAGONSTATE ELECTRONIC CORPORATION**

中国江苏省常州市新区电子园新四路 36 号

Tel: +86-519-85110078. 86-519-85106698, Fax: +86-519-85101081

## 1. SPECIFICATION

**HDK-32100BA-1 (RoHS)**

ITEM		SPECIFICATIONS	
01	Type	Dynamic speaker	
02	Dimension	External diameter 32 mm	
03	Rated Input Power	5mW (Long Time)	
04	Max. Input Power	8mW for 1 minute	
05	Impedance	100 ohm $\pm$ 15%	
06	Sensitivity (S.P.L.)	127 $\pm$ 3.0dB	at 1.0mW/ 1.0KHz.
07	Frequency Range	20Hz - 20KHz	
08	Total Harmonics Distortion	Max $\leq$ 5.0 % at 1.0mW/ 1.0KHz.	
09	Voice Coil	Diameter $\Phi$ 13.3 mm	
10	Magnet	Rare earth permanent (Nd-Fe-B) magnet $\Phi$ 12.5x2.0mm	
11	Weight	9g $\pm$ 0.1g	
12	Buzz, Rattle, etc.	Should not be audible at 0.70V sine Wave between 20 to 5KHz	
13	Temperature	Operating temperature: -20°C to +60°C Storage temperature: -20°C to +60°C	

## 2. Test Condition

### 2.1 STANDARD

Temperature : 15 ~ 35°C

Relative humidity : 25% ~ 85%,

Atmospheric pressure : 860mbar to 1060mbar.

### 2.2 BASIC

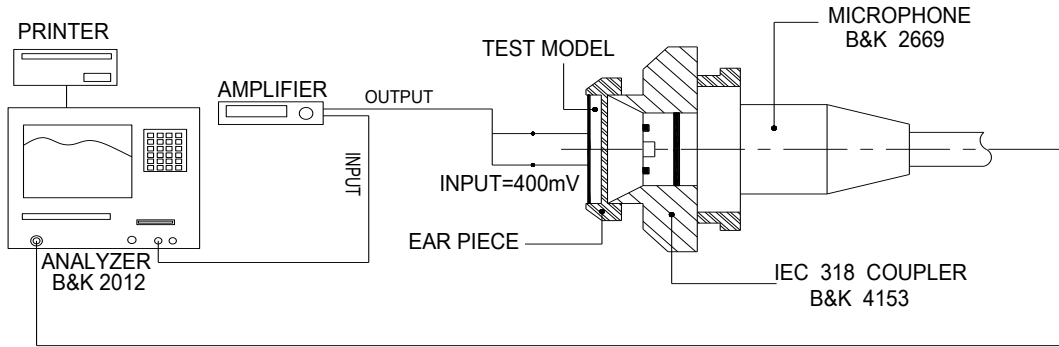
Temperature : 20 $\pm$ 3°C

Relative humidity : 60% ~ 70%,

Atmospheric pressure : 860mbar to 1060mbar

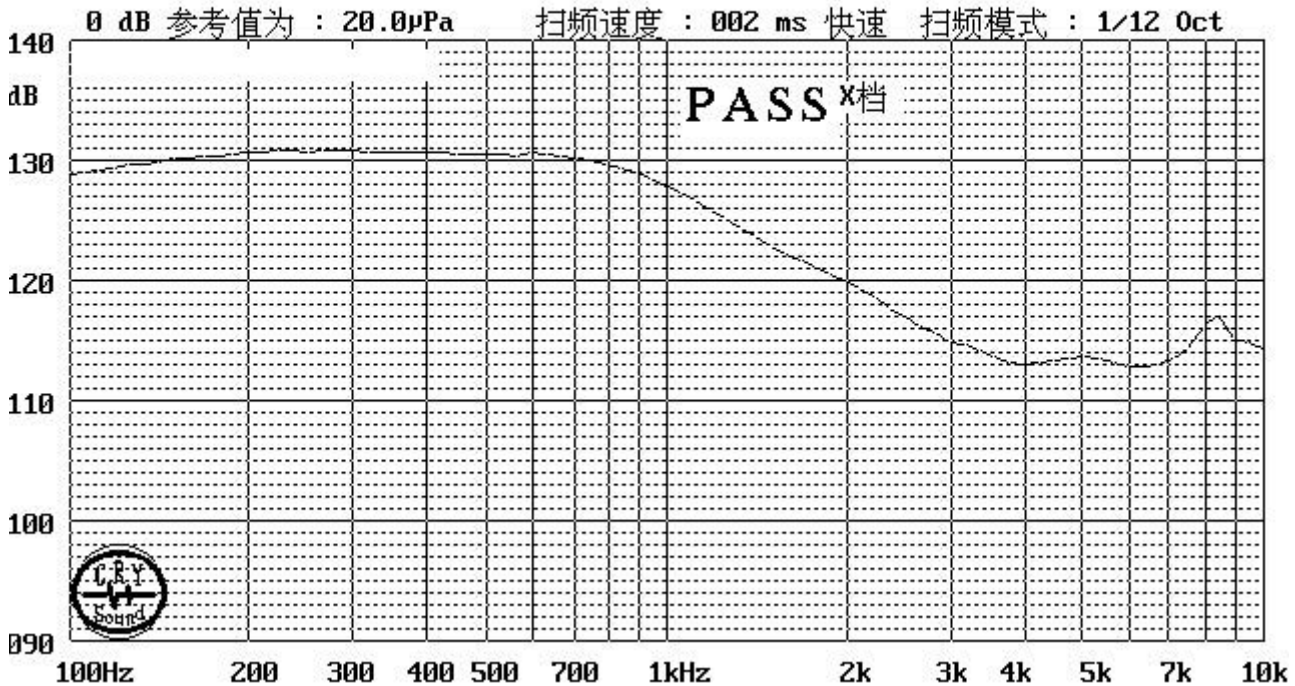
### Standard Test Fixture

Input signal : 400mV

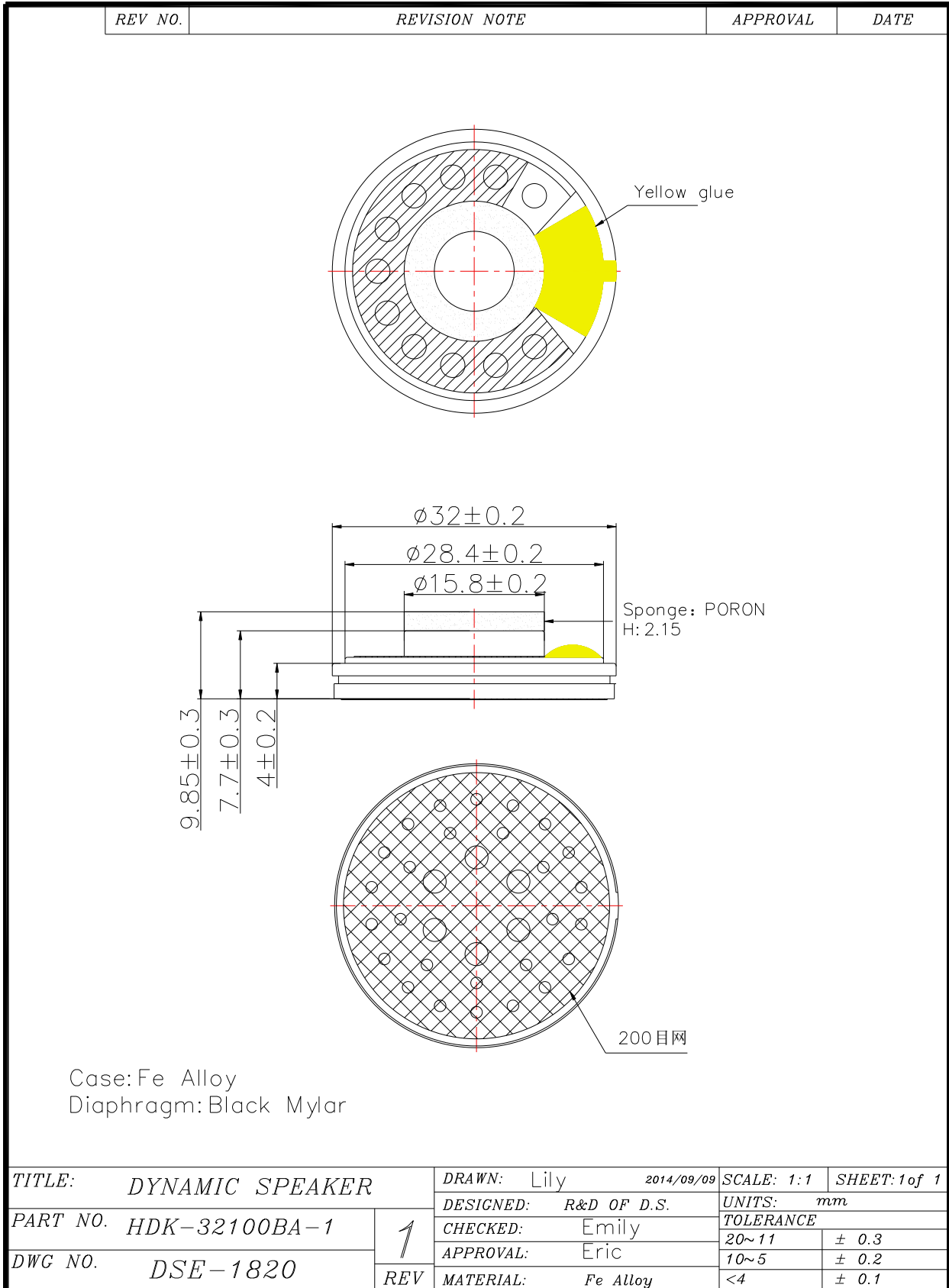


### 2.3 Frequency Response Curve

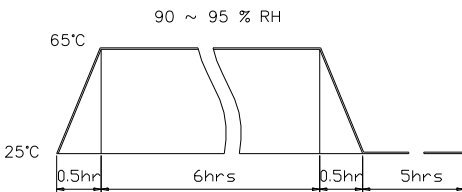
型号: \_\_\_\_\_ → 1000Hz灵敏度 : 127.80 dB      1000Hz阻抗 : \_\_\_\_\_ Ω      滤波器无  
 电压: 0400 mV      70Hz灵敏度 : \_\_\_\_\_ dB      Fv= \_\_\_\_\_ Hz : 000.00 dB      无框  
 2000Hz灵敏度 : 119.84 dB      4000Hz灵敏度 : 113.00 dB



### 3.DIMENSION



#### 4.RELIABILITY TESTS

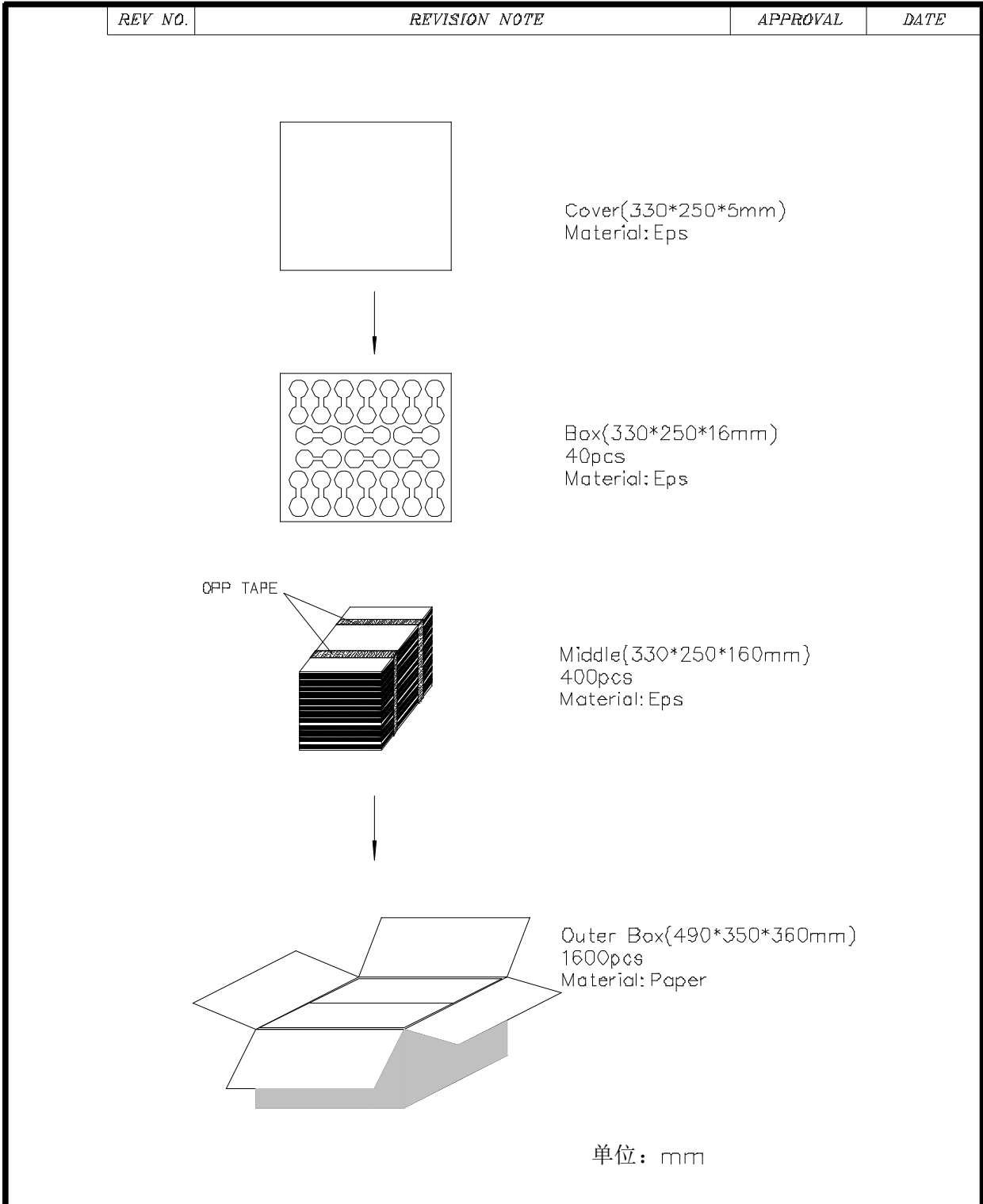
Items.		Specifications
01	High temp. Test	Keep 96 hours at $+60^{\circ}\text{C}\pm 3^{\circ}\text{C}$ and leave 3 hours in normal temperature and then check
02	Low temp. Test	Keep 96 hours at $-20^{\circ}\text{C}\pm 3^{\circ}\text{C}$ and leave 3 hours in normal temperature and then check
03	Humidity test	Keep 96 hours at $+60^{\circ}\text{C}\pm 3^{\circ}\text{C}$ relative humidity 95% and leave 3 hours in normal temperature and then checked.
04	Temp./Humidity cycle	<p>The part shall be subjected 5 cycles. One cycle shall be 12 hours and consist of;</p> 
05	Thermal cycle test.	Low temperature: $-20^{\circ}\text{C}\pm 3^{\circ}\text{C}$ , temperature: $+60^{\circ}\text{C}\pm 3^{\circ}\text{C}$ , cycle: 1 hour/cycle each, and then keep 5 cycles in a room.
06	Vibration	10~200~10Hz sin-wave sweep 15min. 5G(constant) X,Y, Z 3 direction. 2 hours each, total 6 hours.
07	Fix drop test	Fix on jig. Then drop from 152cm height to the concrete floor X, y, z 6 direction. 5 times each, total 30 times.
08	Free drop test	Free drop from 100cm height to the concrete floor X, y, z 6 direction. 1 times each, total 6 times.
09	Rated Power test	Rated Power white noise is applied for 96 hours
10	Max Power test	Max power 1 min on – 2 min off 10 cycles.
11	Terminal strength test	Capable of withstand 1kg load for 30 seconds without resulting in any damage or rejection.
<p><b>Criterion:</b></p> <p><b>After these test , the change of S.P.L shall be within <math>\pm 3</math> dB .</b></p>		

#### SOLDERING CONDITION

Recommend using constant branding iron in **15 ~ 30W**, and in temperature range  **$350 \pm 10^{\circ}\text{C}$** .

Soldering time not over **3** seconds.

5.PACKING



TITLE: packing		DRAWN: Lily	2014/06/09	SCALE: 2:1	SHEET: 1 of 1
PART NO.	1	DESIGNED: R&D OF D.S.	UNITS: mm		
DWG NO.		CHECKED: Emily	TOLERANCE		
REV		APPROVAL: Eric	20~11	± 0.3	
		MATERIAL: ***	10~5	± 0.2	
			<4	± 0.1	