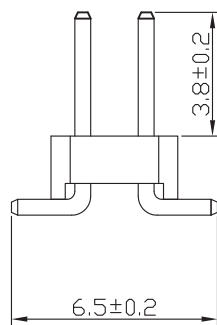
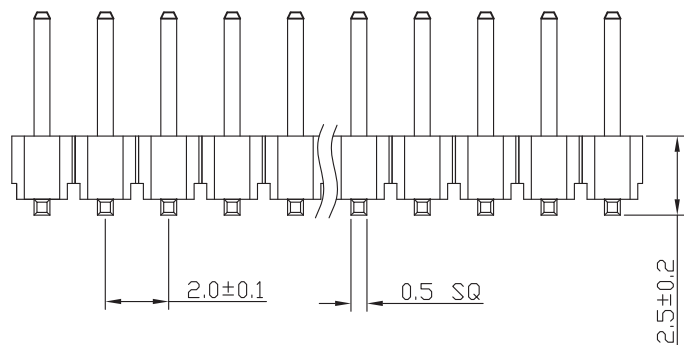


RECOMMEND P. C. B LAYOUT
PCB TOLERANCE: ±0.05 (TOP VIEW)



SPECIFICATIONS

Current Rating: 1.5 Amps
 Insulation Resistance: 1000M Ω Min
 Contact Resistance: 20mΩ Max
 Withstanding Voltage: AC 500V
 Operation Temperature: -40° to+105°
 Contact Material: Brass
 Standard: PA6T
 Insulator Material: Polyester(UL 94V-0)
 Contact Plating: Gold Flash
 Max.Processing Temp: 240° C for30-60seconds
 (260° C for5seconds)

Code Description

HJ-200-PH-2-XX-20-M-80-1-G0-B

(1) (2) (3) (4) (5) (6) (7) (8) (9) (10)

- (1) Pin Spacing: 200=2.0mm
- (2) Product Name: PH=Pin Header
- (3) No. of Rows:1=Single Row; 2=Dual Row
- (4) No. of Pins Per Row:1~40
- (5) Insulator Material Height: 15=1.5mm; 20=2.0mm
- (6) Connector Type:S=Straight; R=Right; Angle M=SMT
- (7) Contact Material Length: 87=8.7mm 105=10.5mm
- (8) No. of Insulator Material: 1=1PCS; 2=2PCS; 3=3PCS
- (9) Contact Plating:
SN=Tin;G0=Gold Flash;S0=Gold Flash/Tin;AU08=Au 0.8u"
- (10) Insulator Material Option:
A=BK-PBT;B=BK-PA6T;C=BK-PA46;D=KB-LCP;S=Special

HJ-Tech 东莞市皇捷通讯科技有限公司
 DONGGUAN HUANGJIE COMMUNICATION TECHNOLOGY CO., LTD.

UNLESS OTHERWISE SPECIFIED TOLERANCE

X :±0.3 X° :±5°
 X.X :±0.2 X.X° :±1°
 X.XX:±0.1 X.XX° :±0.5°

DRAWN NAME:

2.0PH 2x7PIN 2.0塑高 90° SMT PC6.5 单塑 镀金 PA6T

| | | | | | |
|------|----|-------|-----|------------|-------------|
| SIZE | A4 | SCALE | N:1 | PROUCT NO. | 39-5767-001 |
| REV | A | UNIT | mm | PROJECT | PAGE 1/1 |

CHECKED: 陈超凡 2017/03/07 CHECKED: / / APPROVED: / /

| No. of | DIM. A | DIM. B | No. of | DIM. A | DIM. B | No. of | DIM. A | DIM. B | No. of | DIM. A | DIM. B |
|--------|--------|--------|--------|--------|--------|--------|--------|--------|--------|--------|--------|
| 1 | 0.00 | 2.00 | 11 | 20.00 | 22.00 | 21 | 40.00 | 42.00 | 31 | 60.00 | 62.00 |
| 2 | 2.00 | 4.00 | 12 | 22.00 | 24.00 | 22 | 42.00 | 44.00 | 32 | 62.00 | 64.00 |
| 3 | 4.00 | 6.00 | 13 | 24.00 | 26.00 | 23 | 44.00 | 46.00 | 33 | 64.00 | 66.00 |
| 4 | 6.00 | 8.00 | 14 | 26.00 | 28.00 | 24 | 46.00 | 48.00 | 34 | 66.00 | 68.00 |
| 5 | 8.00 | 10.00 | 15 | 28.00 | 30.00 | 25 | 48.00 | 50.00 | 35 | 68.00 | 70.00 |
| 6 | 10.00 | 12.00 | 16 | 30.00 | 32.00 | 26 | 50.00 | 52.00 | 36 | 70.00 | 72.00 |
| 7 | 12.00 | 14.00 | 17 | 32.00 | 34.00 | 27 | 52.00 | 54.00 | 37 | 72.00 | 74.00 |
| 8 | 14.00 | 16.00 | 18 | 34.00 | 36.00 | 28 | 54.00 | 56.00 | 38 | 74.00 | 76.00 |
| 9 | 16.00 | 18.00 | 19 | 36.00 | 38.00 | 29 | 56.00 | 58.00 | 39 | 76.00 | 78.00 |
| 10 | 18.00 | 20.00 | 20 | 38.00 | 40.00 | 30 | 58.00 | 60.00 | 40 | 78.00 | 80.00 |