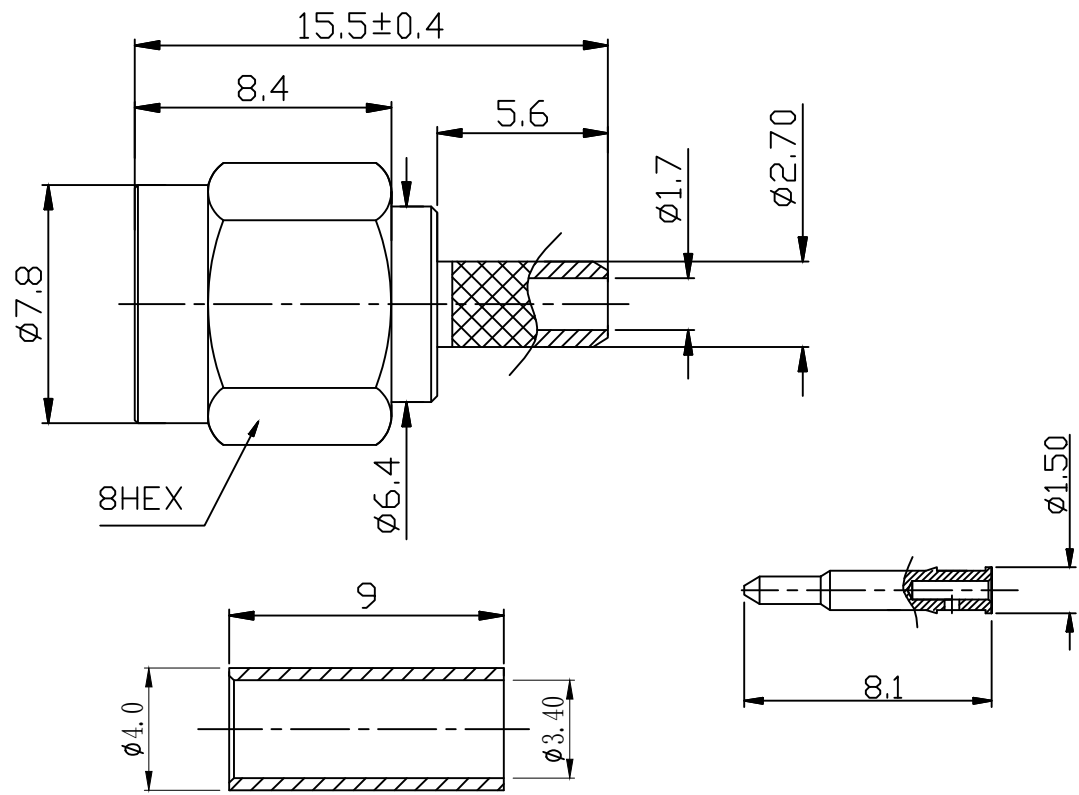


6	7	8
REVISION	DESCRIPTION	DATE
A0	首次发行	20.09.21
		DRAFTER
		S. He



3	2LC15S-613	铜管, 镀镍	1	
2	2LC15PM058	SMA公头, 主体镀金	1	
1	2LC15PM058-1	SMA公针, 镀金	1	
NO	PART NUMBER	PART NAME & DESCRIPTION	Q'TY	REMARKS

GENERAL TOLERANCE:		HJ-Tech 东莞市皇捷通讯科技有限公司	
LINEAR:			
X	±2.00	FILE NAME:	TITLE:
X.X	±1.00	产品图	SMA公头镀金H8.0*L15.5-接1.5DS-QFB线,
X.XX	±0.20	ENG/DATE:	SMA公针镀金12U', 主体镀金3U'
X.XXX	±0.01	S. He/20.09.21	
ANGLE:		CHE/DATE:	P/N:
X°	±4.00°		2LC15PM058
X.X°	±3.00°	APP/DATE:	UNIT:
X.XX°	±2.00°		mm
X.XXX°	±1.00°		SCALE:
			1:1
			REVISION:
			A0
			SHEET:
			1/1

COMPLIANCE WITH THE REQUIREMENT: RoHS; HF; SONY SS-00259; OTHERS
*NO USING ESTRICTED AND BANNED SUBSTANCE