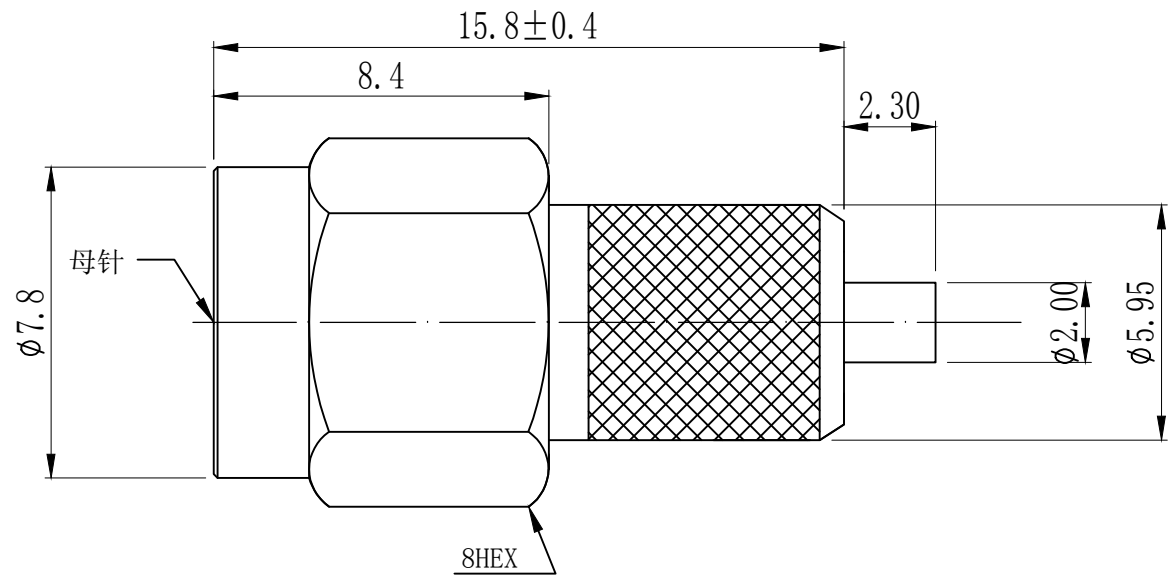


REVISION	DESCRIPTION	DATE	DRAFTER
A0	首次发行	20.10.14	S. He



COMPLIANCE WITH THE REQUIREMENT: RoHS; HF; SONY SS-00259; OTHERS
 *NO USING ESTRICTED AND BANNED SUBSTANCE

GENERAL TOLERANCE:

LINEAR:	
X	± 0.50
X. X	± 0.30
X. XX	± 0.20
X. XXX	± 0.10
ANGLE:	
X°	$\pm 4.00^\circ$
X. X°	$\pm 3.00^\circ$
X. XX°	$\pm 2.00^\circ$
X. XXX°	$\pm 1.00^\circ$

HJ-Tech		东莞市皇捷通讯科技有限公司		
FILE NAME:	产品图	TITLE: SMA 公头母针, 直式, 黄铜镀金		
ENG/DATE:	S. He/20.10.14	P/N: 2LC15PF067		
APP/DATE:		UNIT: mm	SCALE: 1:1	REVISION: A0
				SHEET: 1/1