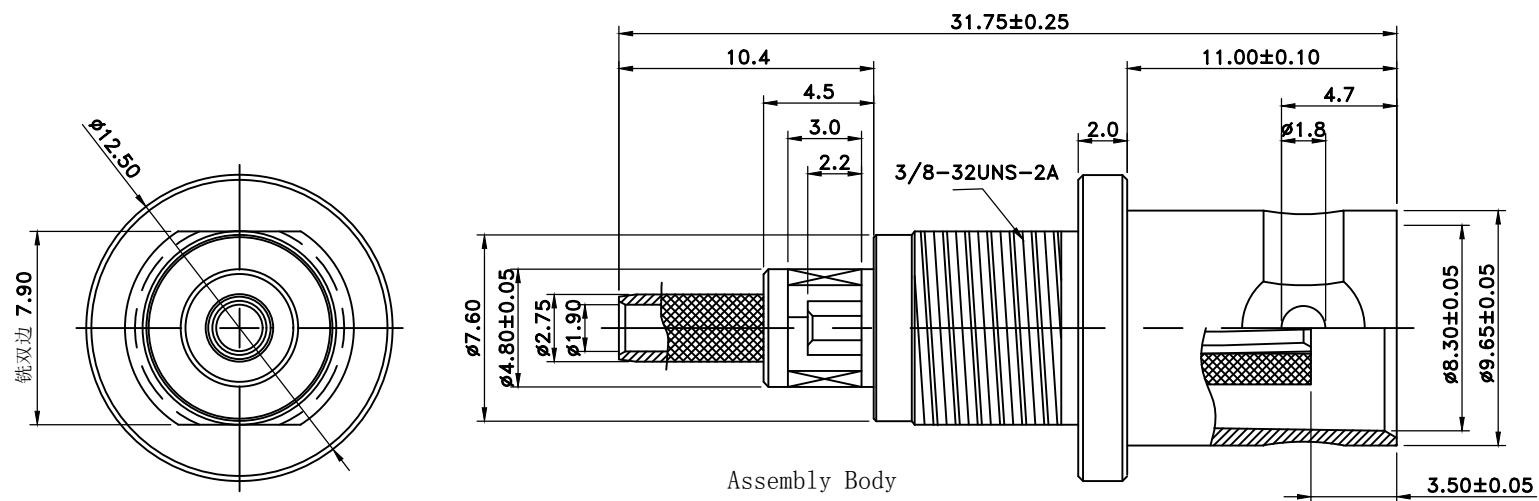
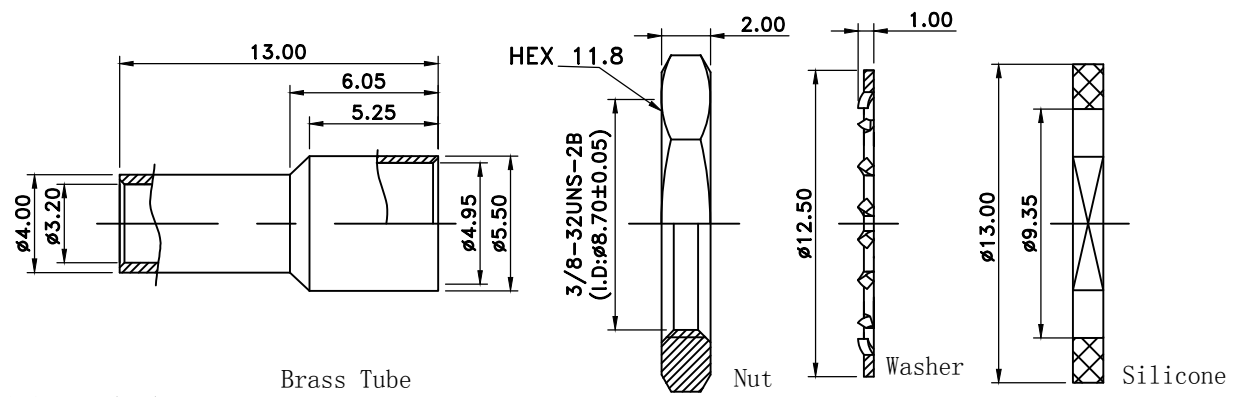


REVISION	DESCRIPTION	DATE	DRAFTER
A0	FIRST RELEASE	2019.07.13	Mark



Assembly Body



Brass Tube

Nut

Washer

Silicone

TNOE:  
 Impedance: 50 Ohms  
 Frequency Range: DC~3G  
 VSWR: 1.3MAX  
 Working Voltage: 15 watts continuous  
 Insulation Resistance: 5000 Ohms min  
 Temperature Range: -40°C TO +60°C  
 Drawings products are in line with ROHS standards

装配BOM表

8	铜管	1	C3602	镀镍80-120 μ"
7	螺母	1	C3604	镀镍80-120 μ"
6	华司	1	C3604	镀镍80-120 μ"
5	硅胶圈	1	硅胶	红色
4	中心针	1	磷铜	镀金3 μ"
3	挡圈	1	C3604	镀镍80-120 μ"
2	绝缘体	1	PTFE	洗净除油
1	本体	1	C3604	镀镍80-120 μ"
编号	品名	数量	材质	表面处理

GENERAL TOLERANCE:  
 LINEAR:  
 X ±0.50  
 X.X ±0.20  
 X.XX ±0.10  
 X.XXX ±0.05  
 ANGLE:  
 X° ±4.00°  
 X.X° ±3.00°  
 X.XX° ±2.00°  
 X.XXX° ±1.00°

HJ-Tech 东莞市皇捷通讯科技有限公司

FILE NAME: PART DRAWING TITLE: 射频同轴连接器  
 ENG/DATE: Mark/19.07.13 BNC JACK FOR RG316 CABLE, OD:12.5\*L31.75mm,  
 配硅胶圈, 华司, 2.0螺母

CHE/DATE: P/N: 2LC08SF004

APP/DATE: UNIT: mm SCALE: 1:1 REVISION: A0 SHEET: 1/1

COMPLIANCE WITH THE REQUIREMENT:  RoHS;  HF;  SONY SS-00259;  OTHERS  
 \*NO USING ESTRICTED AND BANNED SUBSTANCE