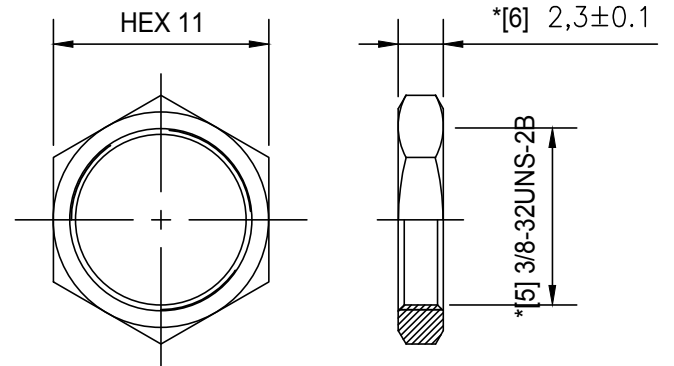
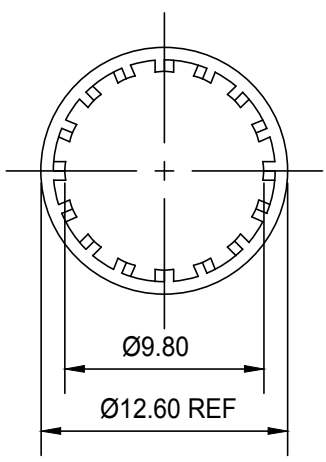
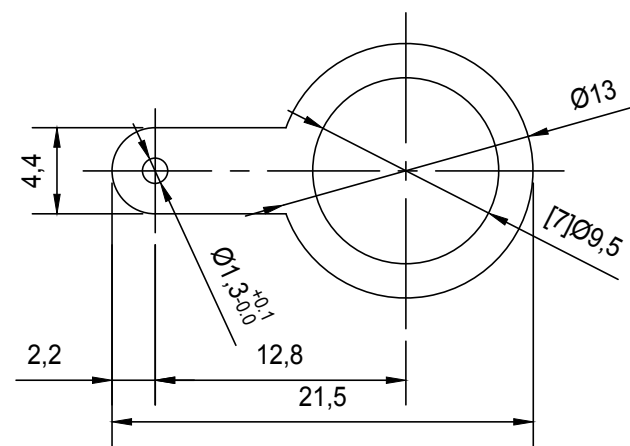
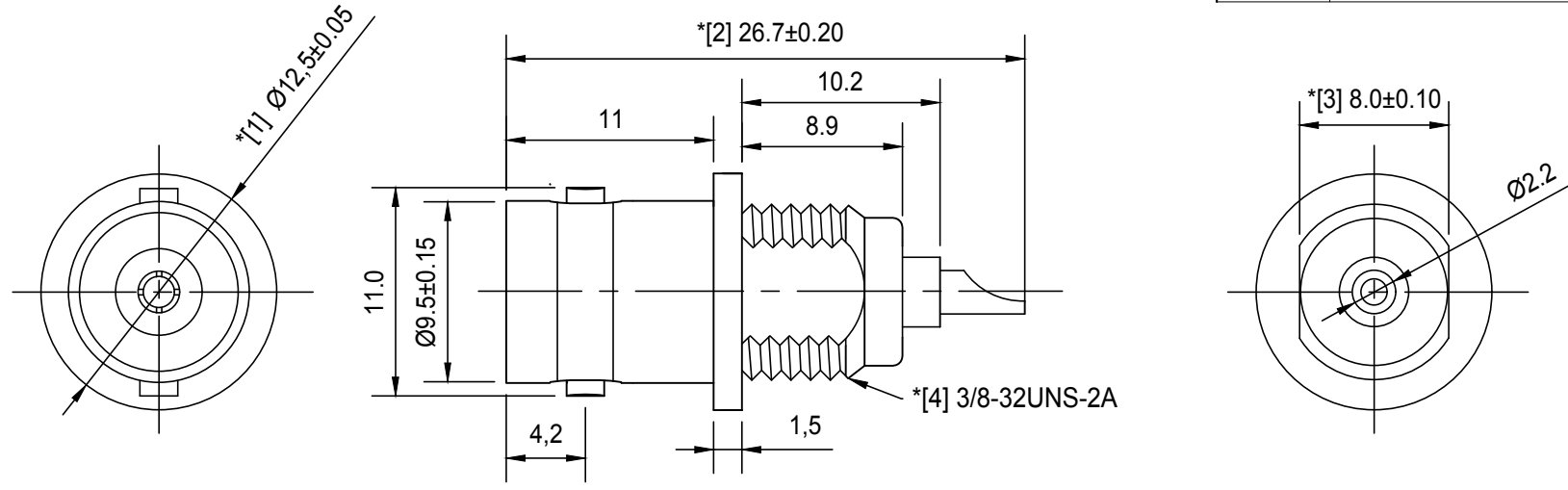


REVISION	DESCRIPTION	DATE	DRAFTER
A0	FIRST RELEASE	2018.09.19	Mark



TNOE:  
 Impedance: 50 Ohms  
 Frequency Range: DC~3G  
 VSWR: 1.3MAX  
 Working Voltage: 15 watts continuous  
 Insulation Resistance: 5000 Ohms min  
 Temperature Range: -40°C TO +60°C  
 Drawings products are in line with ROHS standards

4	2LC24S-208	F 头华司, 镀镍	1
3	2LC24S-110	F 头耳朵垫片, OD:13*L21.5*T0.4mm, 镀镍	1
2	2LC24S-310	F 头螺母 H11.0*T2.3mm 镀镍, 内螺纹 3/8-32UNS-2B	1
1	2LC08SF003-1	BNC Jack, OD12.5*26.7mm 锌合金镀镍	1
No.	PART NAME	SPECIFICATION DESCRIPTION	Q'TY

GENERAL TOLERANCE: LINEAR: X ±0.20 X.X ±0.15 X.XX ±0.05 X.XXX ±0.01 ANGLE: X° ±4.00° X.X° ±3.00° X.XX° ±2.00° X.XXX° ±1.00°		<b>HJ-Tech</b> 东莞市皇捷通讯科技有限公司 FILE NAME: PART DRAWING TITLE: 射频同轴连接器 ENG/DATE: Mark/18.09.19 BNC Jack, OD12.5*26.7mm 锌合金镀镍, 配耳朵垫片, 华司, 2.3螺母 CHE/DATE: P/N: <b>2LC08SF003</b> APP/DATE: UNIT: mm SCALE: 1:1 REVISION: A0 SHEET: 1/1	
---	--	---	--

COMPLIANCE WITH THE REQUIREMENT:  RoHS;  HF;  SONY SS-00259;  OTHERS  
 \*NO USING ESTRICTED AND BANNED SUBSTANCE