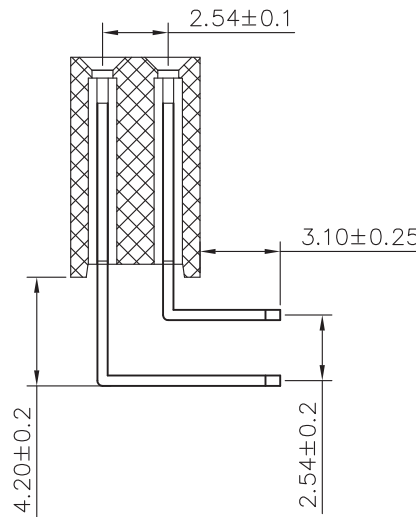
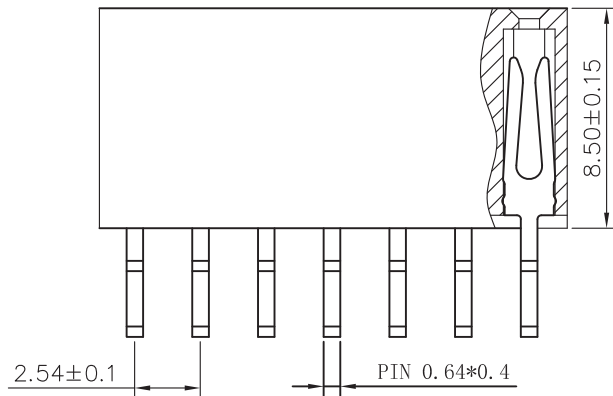


RECOMMEND P. C. B LAYOUT
PCB TOLERANCE: ± 0.05 (TOP VIEW)



SPECIFICATIONS

Current Rating: 3Amps
 Insulation Resistance: 1000M Ω Min
 Contact Resistance: 20m Ω Max
 Withstanding Voltage: AC 1000V
 Operation Temperature: -40° to +105°
 Contact Material: Brass
 Standard: PA6T
 Insulator Material: Polyester (UL 94V-0)
 Contact Plating: Gold Flash
 Max. Processing Temp: 200° C for 30-60 seconds
 (220° C for 5 seconds)

Code Description

HJ-2.54-FH-2-XX-85-R-31-50-G0-Y-B

(1) (2) (3) (4) (5) (6) (7) (8) (9) (10) (11)

- (1) Pin Spacing: 254=2.54mm
- (2) Product Name: FH=Female Header
- (3) No. of Rows: 1=Single Row ; 2=Dual Row
- (4) No. of Pins Per Row: 1~40
- (5) Insulator Material Height: 50=5.0mm; 85=8.5mm
- (6) Connector Type: S=Straight; R=Right Angle; M=SMT
- (7) Connector Material Length: 30=3.0mm; 32=3.2mm
- (8) Insulator Material Width: 50=5.0mm; 55=5.5mm
- (9) Contact Plating: G0=Gold Flash; AU15=Au 1.5u"
- (10) Connector Material Type: U=U Type; Y=Y Type
- (11) Insulator Material Option:
A=BK-PBT; B=BK-PA6T; C=BK-PA46; D=KB-LCP; S=Special

HJ-Tech 东莞市皇捷通讯科技有限公司

DONGGUAN HUANGJIE COMMUNICATION TECHNOLOGY CO., LTD.

UNLESS OTHERWISE SPECIFIED TOLERANCE

X : ± 0.3 X° : $\pm 5^\circ$
 X.X : ± 0.2 X.X° : $\pm 1^\circ$
 X.XX : ± 0.1 X.XX° : $\pm 0.5^\circ$

DRAWN NAME:

2.54FH 2x7PIN 8.5塑高 180° PC3.1 塑宽5.0 镀金 Y型 PA6T

SIZE	A4	SCALE	N:1	PROUCT NO.	26-8238-002
REV	A	UNIT	mm	PROJECT	PAGE 1/1

CHECKED: 陈超凡 2018/07/11 CHECKED: / / APPROVED: / /