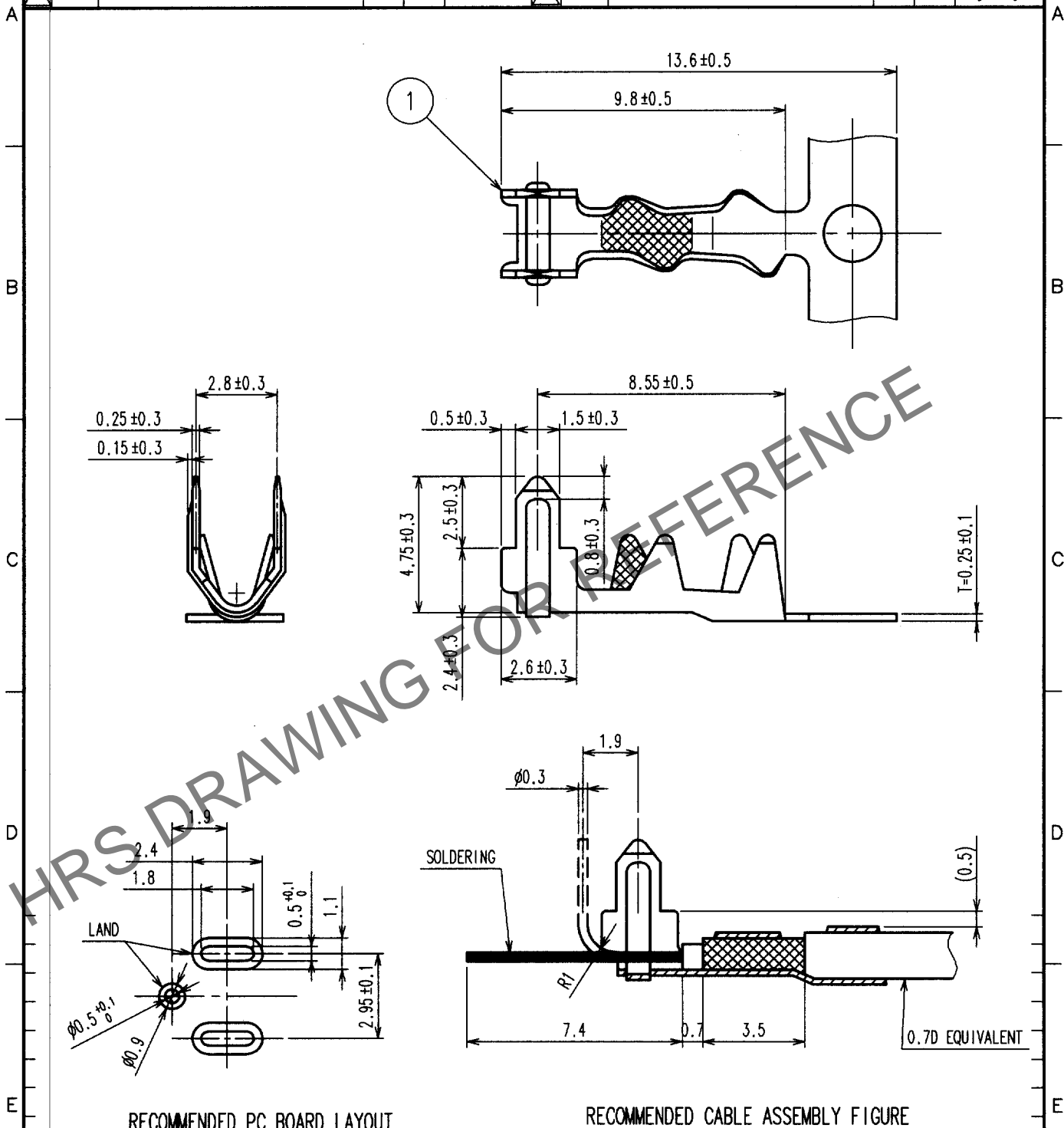


Oct.1.2023 Copyright 2023 HIROSE ELECTRIC CO., LTD. All Rights Reserved.  
 In case of consideration for using Automotive equipment / device which demand high reliability, kindly contact our sales window correspondents.

1					2					3					4					
COUNT	DESCRIPTION OF REVISIONS	BY	CHKD	DATE	COUNT	DESCRIPTION OF REVISIONS	BY	CHKD	DATE	COUNT	DESCRIPTION OF REVISIONS	BY	CHKD	DATE	COUNT	DESCRIPTION OF REVISIONS	BY	CHKD	DATE	



1	BRASS	TIN PLATED
NO.	MATERIAL	FINISH, REMARKS

CODE NO. (OLD) CL	DRAWN T. IKEDA '01.12.05	DESIGNED T. IKEDA '01.12.12	CHECKED <i>M. Okada</i> '01.12.12	APPROVED <i>K. Sato</i> '02.2.25	RELEASED
----------------------	--------------------------------	-----------------------------------	-----------------------------------------	----------------------------------------	----------

SACLE 5 : 1 UNITS mm	DRAWING NO. EDC4-165552	PART NO. GTB-0.7CF
	HRS HIROSE ELECTRIC CO., LTD.	CODE NO. CL755-0075-5

TO