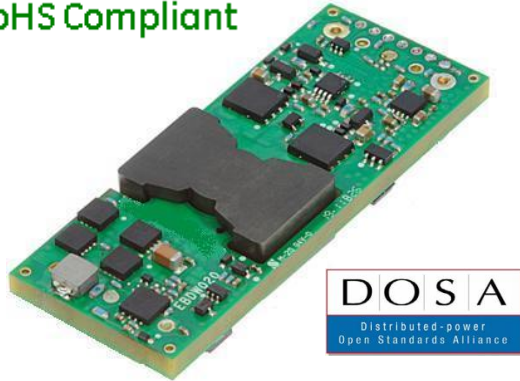


## EBVW020A0B Barracuda\* Series; DC-DC Converter Power Modules

36-75Vdc Input; 12.0Vdc, 20.0A, 240W Output

RoHS Compliant



### Features

- Compliant to RoHS Directive 2011/65/EU and amended Directive (EU) 2015/863 (-Z versions)
- Compliant to REACH Directive (EC) No 1907/2006
- Compatible with reflow pin/paste soldering process
- High and flat efficiency profile – 95.4% at 12V<sub>dc</sub>, 55% load to 90% output
- Wide Input voltage range: 36-75V<sub>dc</sub>
- Delivers up to 20A<sub>dc</sub> output current
- Output Voltage adjust: 6.0V<sub>dc</sub> to 13.2V<sub>dc</sub>
- Tightly regulated output voltage
- Low output ripple and noise
- No reverse current during prebias start-up or shut-down
- Industry standard, DOSA compliant, Eight brick: 58.4 mm x 22.8 mm x 11.3 mm (2.30 in x 0.90 in x 0.44 in)
- Constant switching frequency
- Positive Remote On/Off logic
- Output over current/voltage protection
- Over temperature protection
- Wide operating temperature range (-40°C to 85°C)
- ANSI/UL# 62368-1 and CAN/CSA† C22.2 No. 62368-1 Recognized, DIN VDE‡ 0868-1/A11:2017 (EN62368-1:2014/A11:2017CE mark 2006/96/EC directives§)
- Meets the voltage and current requirements for ETSI 300-132-2 and complies with and licensed for Basic insulation rating per EN62368-1
- 2250 Vdc Isolation tested in compliance with IEEE 802.3⌘ PoE standards
- ISO\*\* 9001 and ISO14001 certified manufacturing facilities

### Applications

- Distributed power architectures
- Intermediate bus voltage applications
- Servers and storage applications
- Networking equipment including Power over Ethernet (PoE)
- Fan assemblies other systems requiring a tightly regulated output voltage

### Options

- Negative Remote On/Off logic (1=option code, factory preferred)
- Auto-restart after fault shutdown (4=option code, factory preferred)
- Remote Sense and Output Voltage Trim (9=option code)
- Base plate option (-H=option code)
- Passive Droop Load Sharing (-P=option code)

### Description

The EBVW020A0B series of dc-dc converters are a new generation of DC/DC power modules designed to support 9.6 -12V<sub>dc</sub> intermediate bus applications where multiple low voltages are subsequently generated using point of load (POL) converters, as well as other application requiring a tightly regulated output voltage. The EBVW020A0B series operate from an input voltage range of 36 to 75V<sub>dc</sub>, and provide up to 20A output current at output voltages from 6.0V<sub>dc</sub> to 12.0V<sub>dc</sub>, and 240W output power from output voltages of 12.1V<sub>dc</sub> to 13.2V<sub>dc</sub> in a DOSA standard eighth brick. The converter incorporates digital control, synchronous rectification technology, and innovative packaging techniques to achieve efficiency reaching 95.4% peak at 12V<sub>dc</sub> output. This leads to lower power dissipations such that for many applications a heat sink is not required. Standard features include on/off control, output overcurrent and over voltage protection, over temperature protection, input under and over voltage lockout. Optional features include output voltage remote sense and trim from 6.0V<sub>dc</sub> to 13.2V<sub>dc</sub>, passive droop paralleling, and base plate for heat sink or cold wall applications.

The output is fully isolated from the input, allowing versatile polarity configurations and grounding connections. Built-in filtering for both input and output minimizes the need for external filtering.

\* Trademark of General Electric Company

# UL is a registered trademark of Underwriters Laboratories, Inc.

† CSA is a registered trademark of Canadian Standards Association.

‡ VDE is a trademark of Verband Deutscher Elektrotechniker e.V.

§ This product is intended for integration into end-user equipment. All of the required procedures of end-use equipment should be followed.

⌘ IEEE and 802 are registered trademarks of the Institute of Electrical and Electronics Engineers, Incorporated.

\*\* ISO is a registered trademark of the International Organization of Standards.

## EBVW020A0B Barracuda Series; DC-DC Converter Power Modules

### 36-75Vdc Input; 12.0Vdc, 20.0A, 240W Output

#### Absolute Maximum Ratings

Stresses in excess of the absolute maximum ratings can cause permanent damage to the device. These are absolute stress ratings only, functional operation of the device is not implied at these or any other conditions in excess of those given in the operations sections of the Data Sheet. Exposure to absolute maximum ratings for extended periods can adversely affect device reliability.

| Parameter  | Device | Symbol    | Min  | Max  | Unit             |
|--|--------|-----------|------|------|------------------|
| Input Voltage*   |        |           |      |      |                  |
| Continuous   |        | $V_{IN}$  | -0.3 | 75   | V <sub>dc</sub>  |
| Operating transient $\leq 100\text{mS}$  |        |           |      | 100  | V <sub>dc</sub>  |
| Operating Input transient slew rate, $50V_{IN}$ to $75V_{IN}$<br>(Output may exceed regulation limits, no protective shutdowns shall activate, $C_O=220\mu\text{F}$ to $C_{O,max}$ ) |        | -         | -    | 10   | V/ $\mu\text{s}$ |
| Non- operating continuous  |        | $V_{IN}$  | 80   | 100  | V <sub>dc</sub>  |
| Operating Ambient Temperature<br>(See Thermal Considerations section)  | All    | $T_A$     | -40  | 85   | °C               |
| Storage Temperature  | All    | $T_{stg}$ | -55  | 125  | °C               |
| I/O Isolation Voltage (100% factory Hi-Pot tested)   | All    | —         | —    | 2250 | V <sub>dc</sub>  |

\* Input over voltage protection will shutdown the output voltage, when the input voltage exceeds threshold level.

#### Electrical Specifications

Unless otherwise indicated, specifications apply over all operating input voltage, resistive load, and temperature conditions.

| Parameter   | Device | Symbol            | Min | Typ | Max | Unit              |
|---|--------|-------------------|-----|-----|-----|-------------------|
| Operating Input Voltage   |        | $V_{IN}$          | 36  | 48  | 75  | V <sub>dc</sub>   |
| Maximum Input Current<br>( $V_{IN}=0\text{V}$ to $75\text{V}$ , $I_O=I_{O,max}$ )   |        | $I_{IN,max}$      | -   | -   | 7   | A <sub>dc</sub>   |
| Input No Load Current<br>( $V_{IN} = V_{IN,nom}$ , $I_O = 0$ , module enabled)  | All    | $I_{IN,No\ load}$ |     | 50  |     | mA                |
| Input Stand-by Current<br>( $V_{IN} = V_{IN,nom}$ , module disabled)  | All    | $I_{IN,stand-by}$ |     |     | 25  | mA                |
| External Input Capacitance  | All    |                   | 100 | -   | -   | $\mu\text{F}$     |
| Inrush Transient  | All    | $I^2t$            | -   | -   | 1   | A <sup>2</sup> s  |
| Input Terminal Ripple Current<br>(Measured at module input pin with maximum specified input capacitance and $< 500\mu\text{H}$ inductance between voltage source and input capacitance $C_{IN}=220\mu\text{F}$ , 5Hz to 20MHz, $V_{IN}=48\text{V}$ , $I_O= I_{O,max}$ ) | All    |                   | -   | 900 | -   | mA <sub>rms</sub> |
| Input Reflected Ripple Current, peak-to-peak<br>(5Hz to 20MHz, $12\mu\text{H}$ source impedance; $V_{IN}=48\text{V}$ , $I_O= I_{O,max}$ ; see Figure 12)  | All    |                   | -   | 24  | -   | mA <sub>p-p</sub> |
| Input Ripple Rejection (120Hz)  | All    |                   | -   | 50  | -   | dB                |

#### CAUTION: This power module is not internally fused. An input line fuse must always be used.

This power module can be used in a wide variety of applications, ranging from simple standalone operation to an integrated part of sophisticated power architecture. To preserve maximum flexibility, internal fusing is not included, however, to achieve maximum safety and system protection, always use an input line fuse. The safety agencies require a fast-acting fuse with a maximum rating of 15 A (see Safety Considerations section). Based on the information provided in this Data Sheet on inrush energy and maximum dc input current, the same type of fuse with a lower rating can be used. Refer to the fuse manufacturer's Data Sheet for further information.

## EBVW020A0B Barracuda Series; DC-DC Converter Power Modules

### 36-75Vdc Input; 12.0Vdc, 20.0A, 240W Output

#### Electrical Specifications (continued)

| Parameter  | Device                  | Symbol         | Min            | Typ    | Max            | Unit                               |
|--|-------------------------|----------------|----------------|--------|----------------|------------------------------------|
| Output Voltage Set-point<br>( $V_{IN}=V_{IN,nom}$ , $I_O=10A$ , $T_A=25^\circ C$ )   | All                     | $V_{O,set}$    | 11.97          | 12.00  | 12.03          | V <sub>dc</sub>                    |
| Output Voltage<br>(Over all operating input voltage(40V to 75V), resistive load, and temperature conditions until end of life)   | All w/o -P<br>-P Option | $V_O$<br>$V_O$ | 11.76<br>11.63 | —<br>— | 12.24<br>12.37 | V <sub>dc</sub><br>V <sub>dc</sub> |
| Output Voltage ( $V_{IN}=36V$ , $T_A = 25^\circ C$ )   | All                     | $V_O$          | 10.8           | —      | —              | V <sub>dc</sub>                    |
| Output Regulation ( $V_{IN,min}=40V$ )   |                         |                |                |        |                |                                    |
| Line ( $V_{IN}=V_{IN,min}$ to $V_{IN,max}$ )   | All w/o -P              |                | —              | 0.2    | —              | % $V_{O,set}$                      |
| Load ( $I_O=I_{O,min}$ to $I_{O,max}$ )  | All w/o -P              |                | —              | 0.2    | —              | % $V_{O,set}$                      |
| Line ( $V_{IN}=V_{IN,min}$ to $V_{IN,max}$ )   | -P Option               |                | —              | 0.5    | —              | % $V_{O,set}$                      |
| Load ( $I_O=I_{O,min}$ to $I_{O,max}$ ), Intentional Droop   | -P Option               |                | —              | 0.50   | —              | V <sub>dc</sub>                    |
| Temperature ( $T_A = -40^\circ C$ to $+85^\circ C$ )   | All                     |                | —              | 2      | —              | % $V_{O,set}$                      |
| Output Ripple and Noise on nominal output<br>( $V_{IN}=V_{IN,nom}$ and $I_O=I_{O,min}$ to $I_{O,max}$ , tested with a 1.0 $\mu F$ ceramic, 10 $\mu F$ aluminum and 220 $\mu F$ polymer capacitor across the load.) |                         |                |                |        |                |                                    |
| RMS (5Hz to 20MHz bandwidth)   | All                     |                | —              | 70     | —              | mV <sub>rms</sub>                  |
| Peak-to-Peak (5Hz to 20MHz bandwidth)  | All                     |                | —              | 200    | —              | mV <sub>pk-pk</sub>                |
| External Output Capacitance  | All                     | $C_O$          | 220            | —      | 10,000         | $\mu F$                            |
| Output Current   | All                     | $I_O$          | 0              | —      | 20             | A <sub>dc</sub>                    |
| Output Current Limit Inception   | All                     | $I_{O,lim}$    | —              | 23     | —              | A <sub>dc</sub>                    |
| Efficiency ( $V_{IN}=V_{IN,nom}$ , $V_O=V_{O,set}$ , $T_A=25^\circ C$ )  |                         |                |                |        |                |                                    |
| $I_O=100\% I_{O,max}$  | All                     | $\eta$         | —              | 95.2   | —              | %                                  |
| $I_O=55\% - 90\% I_{O,max}$  | All                     | $\eta$         | —              | 95.4   | —              | %                                  |
| Switching Frequency (primary MOSFETs)<br>(Output Ripple 2X switching frequency)  |                         | $f_{sw}$       | —              | 150    | —              | kHz                                |
| Dynamic Load Response<br>( $dI_O/dt=1A/10\mu s$ ; $V_{in}=V_{in,nom}$ ; $T_A=25^\circ C$ ; tested with a 10 $\mu F$ ceramic and 1x 470 $\mu F$ polymer capacitor across the load.)                                 |                         |                |                |        |                |                                    |
| Load Change from $I_O=50\%$ to $75\%$ of $I_{O,max}$ :<br>Peak Deviation   | All                     | $V_{pk}$       | —              | 750    | —              | mV <sub>pk</sub>                   |
| Settling Time ( $V_O<10\%$ peak deviation)   |                         | $t_s$          | —              | 800    | —              | $\mu s$                            |
| Load Change from $I_O=75\%$ to $50\%$ of $I_{O,max}$ :<br>Peak Deviation   |                         | $V_{pk}$       | —              | 750    | —              | mV <sub>pk</sub>                   |
| Settling Time ( $V_O<10\%$ peak deviation)   |                         | $t_s$          | —              | 800    | —              | $\mu s$                            |

#### Isolation Specifications

| Parameter             | Symbol    | Min | Typ  | Max | Unit       |
|-----------------------|-----------|-----|------|-----|------------|
| Isolation Capacitance | $C_{iso}$ | —   | 1000 | —   | pF         |
| Isolation Resistance  | $R_{iso}$ | 10  | —    | —   | M $\Omega$ |

#### General Specifications

| Parameter   | Device | Symbol | Typ         | Unit          |
|---|--------|--------|-------------|---------------|
| Calculated Reliability Based upon Telcordia SR-332 Issue 2:<br>Method I, Case 1, ( $I_O=80\% I_{O,max}$ , $T_A=40^\circ C$ , Airflow = 200 lfm), 90% confidence | All    | MTBF   | 4,169,213   | Hours         |
|   | All    | FIT    | 239.9       | $10^9$ /Hours |
| Weight – Open Frame   |        |        | 29.5 (1.04) | g (oz.)       |
| Weight – with Baseplate option  |        |        | 39.0 (1.38) | g (oz.)       |

## EBVW020A0B Barracuda Series; DC-DC Converter Power Modules

### 36-75Vdc Input; 12.0Vdc, 20.0A, 240W Output

### Feature Specifications

Unless otherwise indicated, specifications apply over all operating input voltage, resistive load, and temperature conditions. See Feature Descriptions for additional information.

| Parameter  | Device            | Symbol                             | Min  | Typ  | Max  | Unit        |
|--|-------------------|------------------------------------|------|------|------|-------------|
| <b>Remote On/Off Signal Interface</b><br>( $V_{IN}=V_{IN, min}$ to $V_{IN, max}$ , Signal referenced to $V_{IN-}$ terminal)<br>Negative Logic: device code suffix "1"<br>Logic Low = module On, Logic High = module Off<br>Positive Logic: No device code suffix required<br>Logic Low = module Off, Logic High = module On<br>Logic Low Specification<br>On/Off Thresholds:<br>Remote On/Off Current – Logic Low<br>Logic Low Voltage<br>Logic High Voltage – (Typ = Open Collector)<br>Logic High maximum allowable leakage current ( $V_{on/off} = 2.0V$ )<br>Maximum voltage allowed on On/Off pin | All               | $I_{on/off}$                       | 280  | —    | 310  | $\mu A$     |
|  | All               | $V_{on/off}$                       | -0.3 | —    | 0.8  | $V_{dc}$    |
|  | All               | $V_{on/off}$                       | 2.0  | —    | 14.5 | $V_{dc}$    |
|  | All               | $I_{on/off}$                       | —    | —    | 10   | $\mu A$     |
|  | All               | $V_{on/off}$                       | —    | —    | 14.5 | $V_{dc}$    |
| <b>Turn-on Delay and Rise Time (<math>I_o=I_{o, max}</math>)</b><br>$T_{delay}$ =Time until $V_o = 10\%$ of $V_{o, set}$ from either application of $V_{in}$ with Remote On/Off set to On (Enable with $V_{in}$ ); or operation of Remote On/Off from Off to On with $V_{in}$ already applied for at least 150 milli-seconds (Enable with on/off).<br>* Increased $T_{delay}$ due to startup for parallel modules.   | All w/o -P        | $T_{delay}$ , Enable with $V_{in}$ | —    | —    | 160  | ms          |
|  | All w/o -P        | $T_{delay}$ , Enable with on/off   | —    | —    | 40   | ms          |
|  | w/ -P             | $T_{delay}$ , Enable with $V_{in}$ | —    | —    | 180* | ms          |
|  | w/ -P             | $T_{delay}$ , Enable with on/off   | —    | —    | 40*  | ms          |
| $T_{rise}$ =Time for $V_o$ to rise from 10% to 90% of $V_{o, set}$ , For $C_o > 5000\mu F$ , $I_o$ must be $< 50\%$ $I_{o, max}$ during $T_{rise}$ .<br>* Increased $T_{rise}$ when $V_o$ exists at startup for parallel modules.  | All w/o -P        | $T_{rise}$                         | —    | —    | 40   | ms          |
|  | w/ -P             | $T_{rise}$                         | —    | —    | 300* | ms          |
| <b>Load Sharing Current Balance</b><br>(difference in output current across all modules with outputs in parallel, no load to full load)  | -P Option         | $I_{diff}$                         |      |      | 3    | A           |
| <b>Prebias Output Load Performance:</b><br>Back Bias current sunk by output during start-up<br>Back Bias current sunk by output during shut-down   | All               |                                    | —    | —    | 50   | mA          |
|  |                   |                                    | —    | —    | 50   | mA          |
| Remote Sense Range   | All w/ "9" option | $V_{sense}$                        | —    | —    | 0.5  | $V_{dc}$    |
| Output Voltage Adjustment range  | All w/ "9" option | $V_{o, set}$                       | 6.0  |      | 13.2 | $V_{dc}$    |
| Output Overvoltage Protection  | All               | $V_{o, limit}$                     | 14.5 |      | 17.0 | $V_{dc}$    |
| <b>Overtemperature Protection</b><br>(See Feature Descriptions)  | All               | $T_{ref}$                          | —    | 140  | —    | $^{\circ}C$ |
| <b>Input Undervoltage Lockout</b><br>Turn-on Threshold<br>Turn-off Threshold   |                   |                                    | —    | 35   | 36   | $V_{dc}$    |
|  |                   |                                    | 32   | 33.5 | —    | $V_{dc}$    |
| <b>Input Overvoltage Lockout</b><br>Turn-off Threshold<br>Turn-on Threshold  |                   |                                    | —    | 85   | 86   | $V_{dc}$    |
|  |                   |                                    | 76   | 79   | —    | $V_{dc}$    |

# EBVW020A0B Barracuda Series; DC-DC Converter Power Modules

36-75Vdc Input; 12.0Vdc, 20.0A, 240W Output

## Characteristic Curves

The following figures provide typical characteristics for the EBVW020A0B (12V, 20A) at 25°C. The figures are identical for either positive or negative Remote On/Off logic.

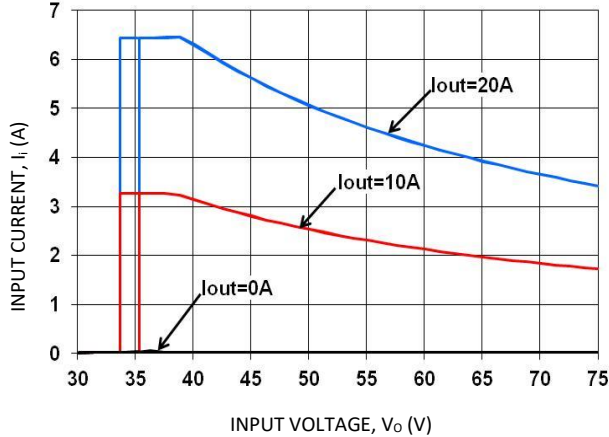


Figure 1. Typical Input Characteristic at Room Temperature.

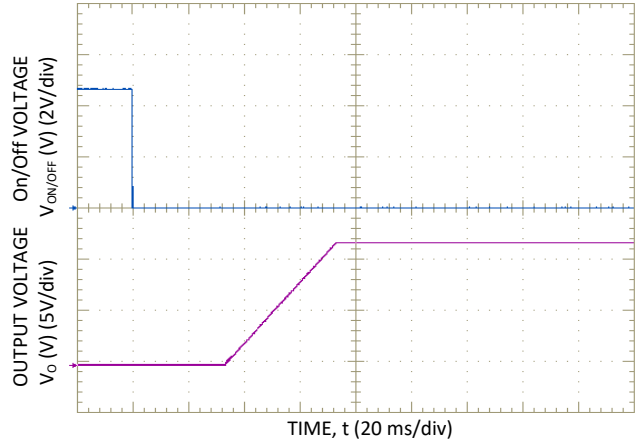


Figure 4. Typical Start-Up Using Remote On/Off with Vin applied, negative logic version shown.

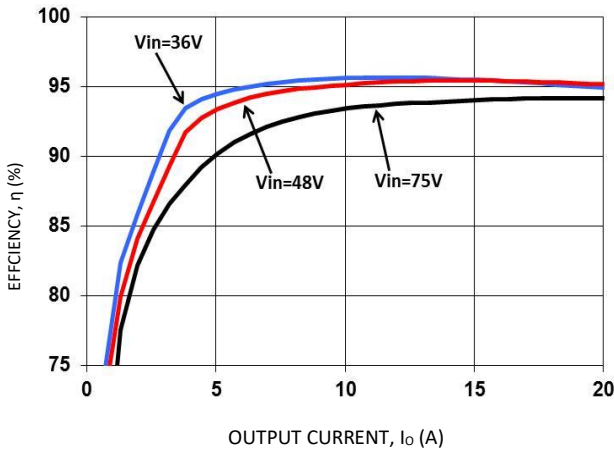


Figure 2. Typical Converter Efficiency Vs. Output current at Room Temperature.

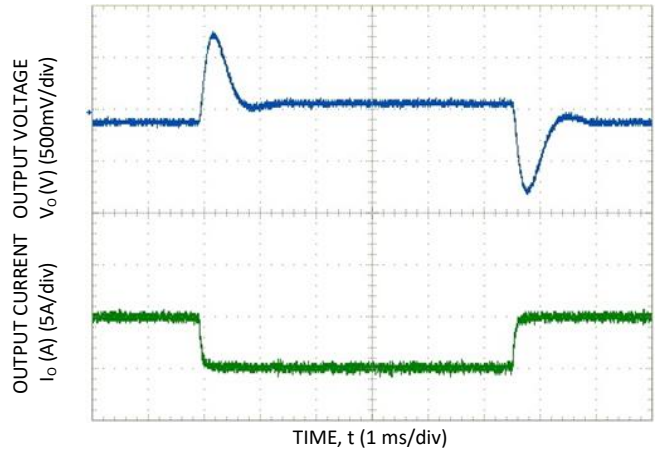


Figure 5. Typical Transient Response to Step change in Load from 25% to 50% to 25% of Full Load at 48 Vdc Input and 470uF Polymer.

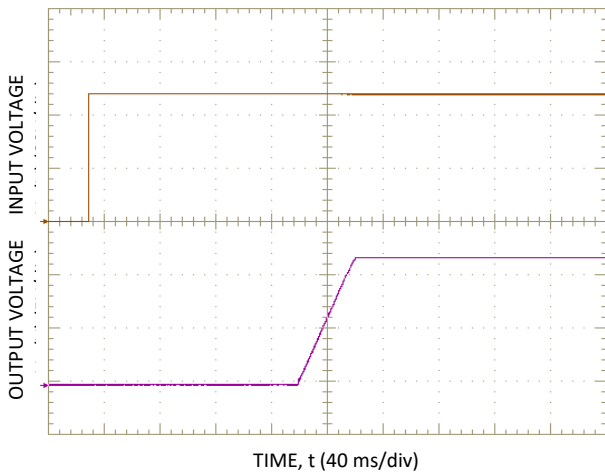


Figure 3. Typical Start-Up Using Vin with Remote On/Off enabled, negative logic version shown.

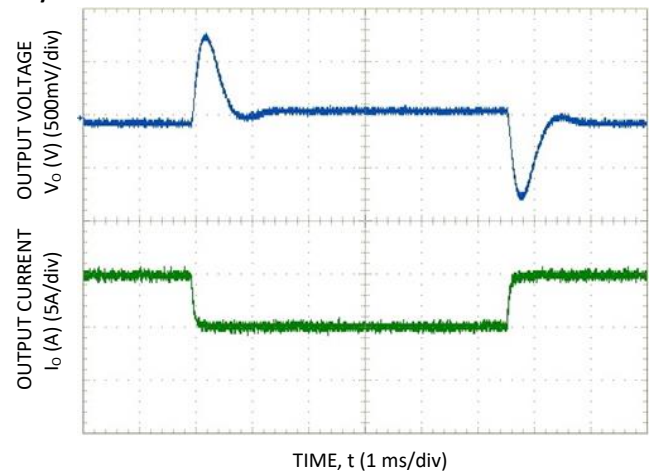


Figure 6. Typical Transient Response to Step Change in Load from 50% to 75% to 50% of Full Load at 48 Vdc Input and 470uF Polymer.

EBVW020A0B Barracuda Series; DC-DC Converter Power Modules  
 36-75Vdc Input; 12.0Vdc, 20.0A, 240W Output

Characteristic Curves (continued)

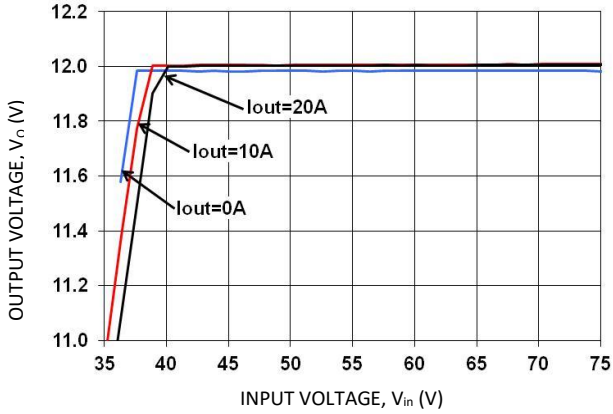


Figure 7. Typical Output Voltage Regulation vs. Input Voltage at Room Temperature.

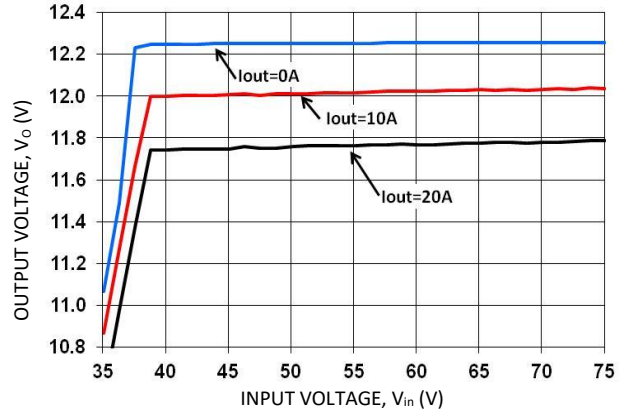


Figure 10. Typical Output Voltage Regulation vs. Input Voltage for the -P Version at Room Temperature.

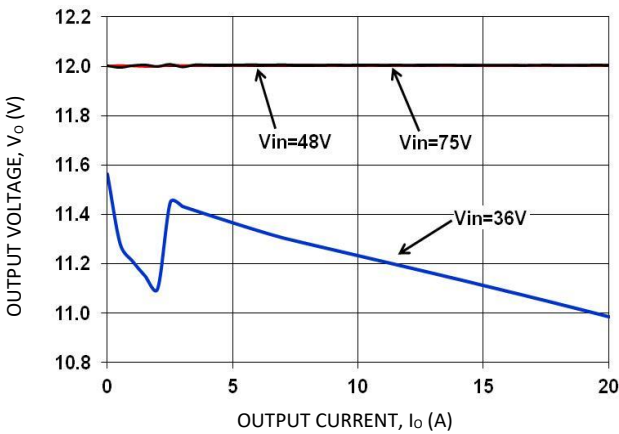


Figure 8. Typical Output Voltage Regulation vs. Output Current at Room Temperature.

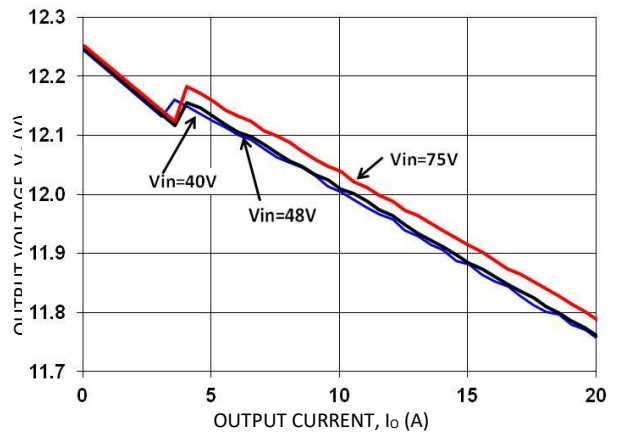


Figure 11. Typical Output Voltage Regulation vs. Output Current for the -P Version at Room Temperature.

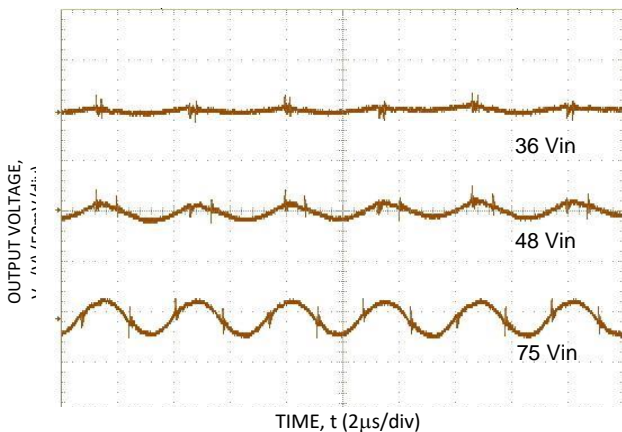
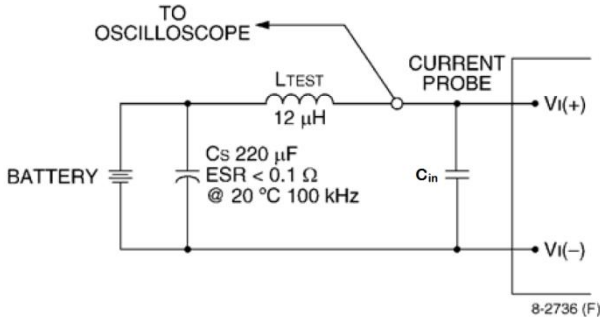


Figure 9. Typical Output Ripple and Noise at Room Temperature  
 $I_o = I_{o,max}$  and  $C_{oMin}$ .

# EBVW020A0B Barracuda Series; DC-DC Converter Power Modules

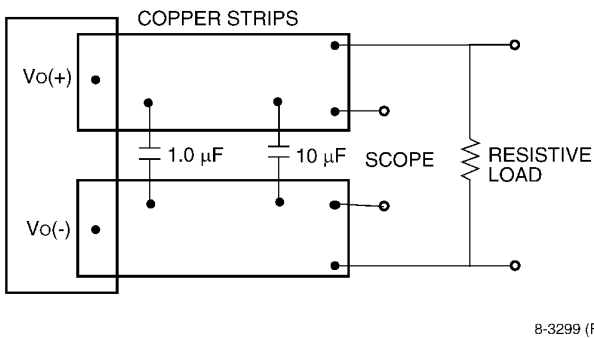
36-75Vdc Input; 12.0Vdc, 20.0A, 240W Output

## Test Configurations



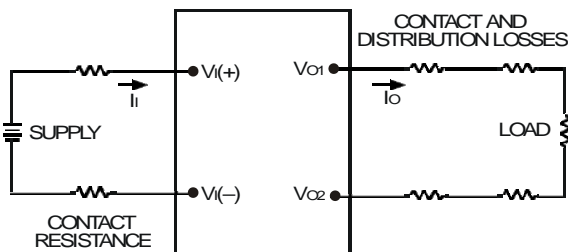
Note: Measure input reflected-ripple current with a simulated source inductance (LTEST) of 12 μH. Capacitor CS offsets possible battery impedance. Measure current as shown above.

**Figure 12. Input Reflected Ripple Current Test Setup.**



Note: Use a 1.0 μF ceramic capacitor and a 10 μF aluminum or tantalum capacitor. Scope measurement should be made using a BNC socket. Position the load between 51 mm and 76 mm (2 in. and 3 in.) from the module.

**Figure 13. Output Ripple and Noise Test Setup.**



Note: All measurements are taken at the module terminals. When socketing, place Kelvin connections at module terminals to avoid measurement errors due to socket contact resistance.

$$\eta = \left( \frac{[V_{O(+)} - V_{O(-)}]I_O}{[V_{I(+)} - V_{I(-)}]I_I} \right) \times 100 \%$$

**Figure 14. Output Voltage and Efficiency Test Setup.**

## Design Considerations

### Input Source Impedance

The power module should be connected to a low ac-impedance source. A highly inductive source impedance can affect the stability of the power module. For the test configuration in Figure 12, a 220μF electrolytic capacitor, Cin, (ESR<0.7Ω at 100kHz), mounted close to the power module helps ensure the stability of the unit. If the module is subjected to rapid on/off cycles, a 330μF input capacitor is required. Consult the factory for further application guidelines.

### Safety Considerations

For safety agency approval the power module must be installed in compliance with the spacing and separation requirements of the end-use safety agency standards, i.e., UL ANSI/UL 62368-1 and CAN/CSA C22.2 No. 62368-1 Recognized, DIN VDE 0868-1/A11:2017 (EN62368-1:2014/A11:2017)

If the input source is non-SELV (ELV or a hazardous voltage greater than 60 Vdc and less than or equal to 75Vdc), for the module's output to be considered as meeting the requirements for safety extra-low voltage (SELV) or ES1, all of the following must be true:

- The input source is to be provided with reinforced insulation from any other hazardous voltages, including the ac mains.
- One VIN pin and one VOUT pin are to be grounded, or both the input and output pins are to be kept floating.
- The input pins of the module are not operator accessible.
- Another SELV or ES1 reliability test is conducted on the whole system (combination of supply source and subject module), as required by the safety agencies, to verify that under a single fault, hazardous voltages do not appear at the module's output.

**Note:** Do not ground either of the input pins of the module without grounding one of the output pins. This may allow a non-SELV/ES1 voltage to appear between the output pins and ground.

The power module has safety extra-low voltage (SELV) or ES1 outputs when all inputs are SELV or ES1.

The input to these units is to be provided with a maximum 15 A fast-acting (or time-delay) fuse in the unearthed lead.

The power module has internally generated voltages exceeding safety extra-low voltage. Consideration should be taken to restrict operator accessibility.

## EBVW020A0B Barracuda Series; DC-DC Converter Power Modules

36-75Vdc Input; 12.0Vdc, 20.0A, 240W Output

### Feature Descriptions

#### Overcurrent Protection

To provide protection in a fault output overload condition, the module is equipped with internal current-limiting circuitry and can endure current limiting continuously. If the overcurrent condition causes the output voltage to fall greater than 4.0V from  $V_{o, set}$ , the module will shut down and remain latched off. The overcurrent latch is reset by either cycling the input power or by toggling the on/off pin for one second. If the output overload condition still exists when the module restarts, it will shut down again. This operation will continue indefinitely until the overcurrent condition is corrected.

A factory configured auto-restart option (with overcurrent and overvoltage auto-restart managed as a group) is also available. An auto-restart feature continually attempts to restore the operation until fault condition is cleared.

#### Remote On/Off

The module contains a standard on/off control circuit reference to the  $V_{IN(-)}$  terminal. Two factory configured remote on/off logic options are available. Positive logic remote on/off turns the module on during a logic-high voltage on the ON/OFF pin, and off during a logic low. Negative logic remote on/off turns the module off during a logic high, and on during a logic low. Negative logic, device code suffix "1," is the factory-preferred configuration. The On/Off circuit is powered from an internal bias supply, derived from the input voltage terminals. To turn the power module on and off, the user must supply a switch to control the voltage between the On/Off terminal and the  $V_{IN(-)}$  terminal ( $V_{on/off}$ ). The switch can be an open collector or equivalent (see Figure 15). A logic low is  $V_{on/off} = -0.3V$  to  $0.8V$ . The typical  $I_{on/off}$  during a logic low ( $V_{in}=48V$ , On/Off Terminal= $0.3V$ ) is  $147\mu A$ . The switch should maintain a logic-low voltage while sinking  $310\mu A$ . During a logic high, the maximum  $V_{on/off}$  generated by the power module is  $8.2V$ . The maximum allowable leakage current of the switch at  $V_{on/off} = 2.0V$  is  $10\mu A$ . If using an external voltage source, the maximum voltage  $V_{on/off}$  on the pin is  $14.5V$  with respect to the  $V_{IN(-)}$  terminal.

If not using the remote on/off feature, perform one of the following to turn the unit on:

For negative logic, short ON/OFF pin to  $V_{IN(-)}$ .

For positive logic: leave ON/OFF pin open.

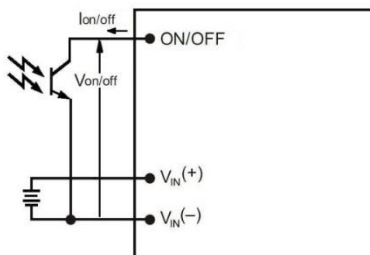


Figure 15. Remote On/Off Implementation.

#### Output Overvoltage Protection

The module contains circuitry to detect and respond to output overvoltage conditions. If the overvoltage condition causes the

output voltage to rise above the limit in the Specifications Table, the module will shut down and remain latched off. The overvoltage latch is reset by either cycling the input power, or by toggling the on/off pin for one second. If the output overvoltage condition still exists when the module restarts, it will shut down again. This operation will continue indefinitely until the overvoltage condition is corrected.

A factory configured auto-restart option (with overcurrent and overvoltage auto-restart managed as a group) is also available. An auto-restart feature continually attempts to restore the operation until fault condition is cleared.

#### Overtemperature Protection

These modules feature an overtemperature protection circuit to safeguard against thermal damage. The circuit shuts down the module when the maximum device reference temperature is exceeded. The module will automatically restart once the reference temperature cools by  $\sim 25^{\circ}C$ .

#### Input Under/Over voltage Lockout

At input voltages above or below the input under/over voltage lockout limits, module operation is disabled. The module will begin to operate when the input voltage level changes to within the under and overvoltage lockout limits.

#### Load Sharing (-P Option code)

For higher power requirements, the EBVW020A0 power module offers an optional feature for parallel operation. This feature provides a precise forced output voltage load regulation droop characteristic. The output set point and droop slope are factory calibrated to insure optimum matching of multiple modules' load regulation characteristics. To implement load sharing, the following requirements should be followed:

- The  $V_{OUT(+)}$  and  $V_{OUT(-)}$  pins of all parallel modules must be connected together. Balance the trace resistance for each module's path to the output power planes, to insure best load sharing and operating temperature balance.
- $V_{IN}$  must remain between  $40V_{dc}$  and  $75V_{dc}$  for droop sharing to be functional.
- It is permissible to use a common Remote On/Off signal to start all modules in parallel.
- These modules contain means to block reverse current flow upon start-up, when output voltage is present from other parallel modules, thus eliminating the requirement for external output ORing devices. Modules with the -P option will self determine the presence of voltage on the output from other operating modules, and automatically increase its Turn On delay,  $T_{delay}$ , as specified in the Feature Specifications Table.
- When parallel modules startup into a pre-biased output, e.g. partially discharged output capacitance, the  $T_{rise}$  is automatically increased, as specified in the Feature Specifications Table, to insure graceful startup.
- Insure that the load is  $<50\% I_{O,MAX}$  (for a single module) until all parallel modules have started (load full start  $>$  module  $T_{delay}$  time max +  $T_{rise}$  time).
- If fault tolerance is desired in parallel applications, output ORing devices should be used to prevent a single module failure from collapsing the load bus.



## EBVW020A0B Barracuda Series; DC-DC Converter Power Modules

36-75Vdc Input; 12.0Vdc, 20.0A, 240W Output

- Modules with -P option cannot include the "9" option.

# EBVW020A0B Barracuda Series; DC-DC Converter Power Modules

36-75Vdc Input; 12.0Vdc, 20.0A, 240W Output

## Feature Descriptions (continued)

### Remote Sense ("9" Option Code)

Remote sense minimizes the effects of distribution losses by regulating the voltage at the remote-sense connections (See Figure 16). The voltage between the remote-sense pins and the output terminals must not exceed the output voltage sense range given in the Feature Specifications table:

$$[V_o(+)-V_o(-)] - [SENSE(+)-SENSE(-)] \leq 0.5\text{ V}$$

Although the output voltage can be increased by both the remote sense and by the trim, the maximum increase for the output voltage is not the sum of both. The maximum increase is the larger of either the remote sense or the trim.

The amount of power delivered by the module is defined as the voltage at the output terminals multiplied by the output current. When using remote sense and trim, the output voltage of the module can be increased, which at the same output current would increase the power output of the module. Care should be taken to ensure that the maximum output power of the module remains at or below the maximum rated power (Maximum rated power =  $V_{o,set} \times I_{o,max}$ ).

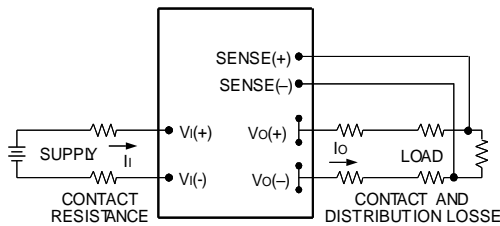


Figure 16. Circuit Configuration for remote sense.

### Trim, Output Voltage Programming ("9" Option Code)

Trimming allows the output voltage set point to be increased or decreased; this is accomplished by connecting an external resistor between the TRIM pin and either the Vo(+) pin or the Vo(-) pin.

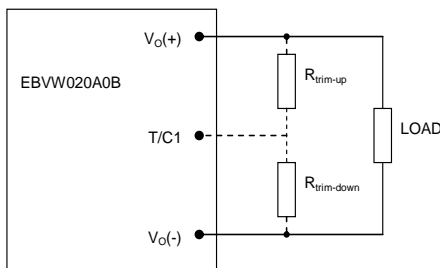


Figure 17. Circuit Configuration to Trim Output Voltage.

Connecting an external resistor ( $R_{trim-down}$ ) between the T/C1 pin and the Vo(-) (or Sense(-)) pin decreases the output voltage set point. To maintain set point accuracy, the trim resistor tolerance should be  $\pm 1.0\%$ .

The following equation determines the required external resistor value to obtain a percentage output voltage change of  $\Delta\%$

$$R_{trim-down} = \left[ \frac{511}{\Delta\%} - 10.22 \right] \text{K}\Omega$$

Where 
$$\Delta\% = \left( \frac{V_{o,set} - V_{desired}}{V_{o,set}} \right) \times 100$$

For example, to trim-down the output voltage of the module by 20% to 9.6V,  $R_{trim-down}$  is calculated as follows:

$$R_{trim-down} = \left[ \frac{511}{20} - 10.22 \right] \text{K}\Omega = 15.3\text{k}\Omega$$

Connecting an external resistor ( $R_{trim-up}$ ) between the T/C1 pin and the Vo(+) (or Sense (+)) pin increases the output voltage set point. The following equations determine the required external resistor value to obtain a percentage output voltage change of  $\Delta\%$ :

$$R_{trim-up} = \left[ \frac{5.11 \times V_{o,set} \times (100 + \Delta\%)}{1.225 \times \Delta\%} - \frac{511}{\Delta\%} - 10.22 \right] \text{K}\Omega$$

Where 
$$\Delta\% = \left( \frac{V_{desired} - V_{o,set}}{V_{o,set}} \right) \times 100$$

For example, to trim-up the output voltage of the module by 5% to 12.6V,  $R_{trim-up}$  is calculated is as follows:

$$R_{trim-up} = \left[ \frac{5.11 \times 12.0 \times (100 + 5)}{1.225 \times 5} - \frac{511}{5} - 10.22 \right] \text{K}\Omega = 938.8\text{k}\Omega$$

The voltage between the Vo(+) and Vo(-) terminals must not exceed the minimum output overvoltage protection value shown in the Feature Specifications table. This limit includes any increase in voltage due to remote-sense compensation and output voltage set-point adjustment trim.

Although the output voltage can be increased by both the remote sense and by the trim, the maximum increase for the output voltage is not the sum of both. The maximum increase is the larger of either the remote sense or the trim. The amount of power delivered by the module is defined as the voltage at the output terminals multiplied by the output current. When using remote sense and trim, the output voltage of the module can be increased, which at the same output current would increase the power output of the module. Care should be taken to ensure that the maximum output power of the module remains at or below the maximum rated power (Maximum rated power =  $V_{O,set} \times I_{o,max}$ ). Modules with "9" option cannot include the -P option.

### Thermal Considerations

The power modules operate in a variety of thermal environments and sufficient cooling should be provided to help ensure reliable operation.

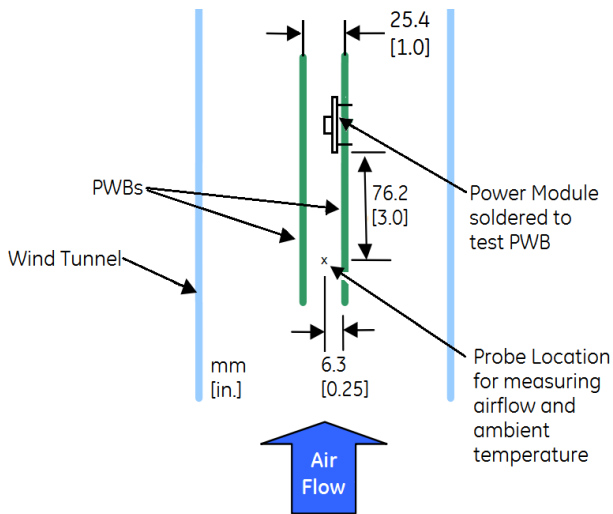
Thermal considerations include ambient temperature, airflow, module power dissipation, and the need for increased reliability. A reduction in the operating temperature of the module will result in an increase in reliability.

# EBVW020A0B Barracuda Series; DC-DC Converter Power Modules

36-75Vdc Input; 12.0Vdc, 20.0A, 240W Output

## Feature Descriptions (continued)

The thermal data presented here is based on physical measurements taken in a wind tunnel, using automated thermocouple instrumentation to monitor key component temperatures: FETs, diodes, control ICs, magnetic cores, ceramic capacitors, opto-isolators, and module pwb conductors, while controlling the ambient airflow rate and temperature. For a given airflow and ambient temperature, the module output power is increased, until one (or more) of the components reaches its maximum derated operating temperature, as defined in IPC-9592. This procedure is then repeated for a different airflow or ambient temperature until a family of module output derating curves is obtained.



Heat-dissipating components are mounted on the top side of the module. Heat is removed by conduction, convection and radiation to the surrounding environment. Proper cooling can be verified by measuring the thermal reference temperature ( $TH_x$ ). Peak temperature ( $TH_x$ ) occurs at the position indicated in Figure 18 and 19. For reliable operation this temperature should not exceed the listed temperature threshold.

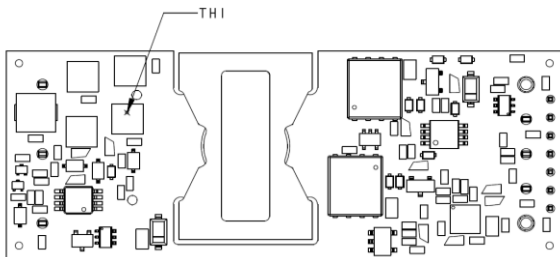


Figure 18. Location of the thermal reference temperature  $TH_1$ . Do not exceed 113 °C.

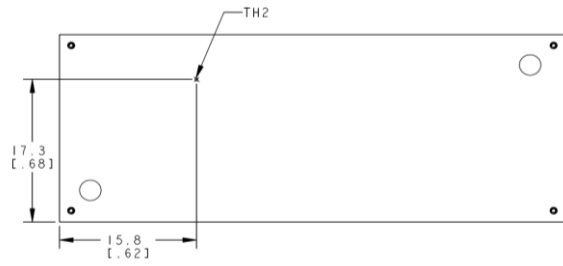


Figure 19. Location of the thermal reference temperature  $TH_2$  for Base Plate module. Do not exceed 110 °C.

The output power of the module should not exceed the rated power for the module as listed in the Ordering Information table. Although the maximum temperature of the power modules is  $TH_x$ , you can limit this temperature to a lower value for extremely high reliability.

Please refer to the Application Note “Thermal Characterization Process For Open-Frame Board-Mounted Power Modules” for a detailed discussion of thermal aspects including maximum device temperatures.

## Heat Transfer via Convection

Increased airflow over the module enhances the heat transfer via convection. The thermal derating of figures 20 through 22 show the maximum output current that can be delivered by each module in the indicated orientation without exceeding the maximum  $TH_x$  temperature versus local ambient temperature ( $T_A$ ) for air flows of, Natural Convection, 1 m/s (200 ft./min), 2 m/s (400 ft./min).

The use of Figures 20 is shown in the following example:

### Example

What is the minimum airflow necessary for a EBVW020A0B operating at  $V_1 = 48$  V, an output current of 14A, and a maximum ambient temperature of 70 °C in transverse orientation.

Solution:

Given:  $V_{in} = 48V$ ,  $I_o = 14A$ ,  $T_A = 70$  °C

Determine required airflow (V) (Use Figure 20):

$V = 200LFM$  or greater.

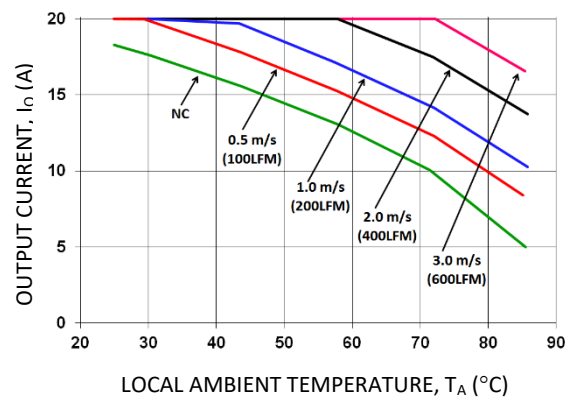
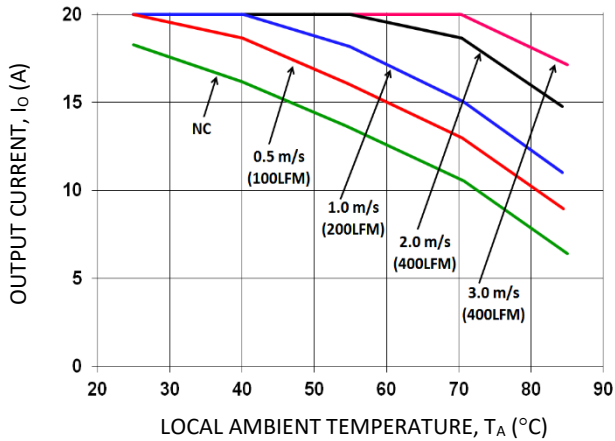


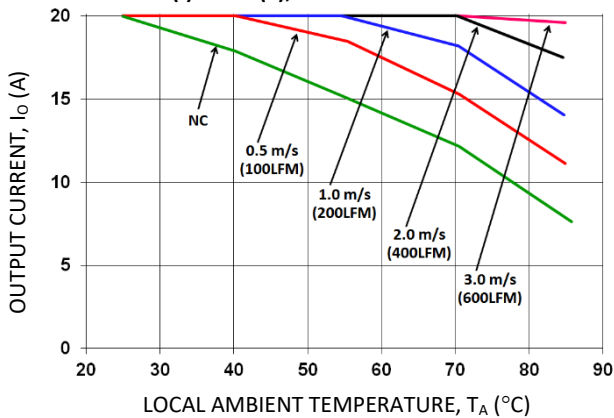
Figure 20. Output Current Derating for the Open Frame EBVW020A0B in the Transverse Orientation; Airflow Direction from  $V_{in}(-)$  to  $V_{in}(+)$ ;  $V_{in} = 48V$ .

# EBVW020A0B Barracuda Series; DC-DC Converter Power Modules

36-75Vdc Input; 12.0Vdc, 20.0A, 240W Output



**Figure 21. Output Current Derating for the Base Plate EBVW020A0Bxx-H in the Transverse Orientation; Airflow Direction from Vin(-) to Vin(+); Vin = 48V.**



**Figure 22. Output Current Derating for the Base Plate EBVW020A0Bxx-H and 0.25" heat sink in the Transverse Orientation; Airflow Direction from Vin(-) to Vin(+); Vin = 48V.**

## Layout Considerations

The EBVW020 power module series are low profile in order to be used in fine pitch system card architectures. As such, component clearance between the bottom of the power module and the mounting board is limited. Avoid placing copper areas on the outer layer directly underneath the power module. Also avoid placing via interconnects underneath the power module.

For additional layout guide-lines, refer to FLT007A0Z Data Sheet.

## Through-Hole Lead-Free Soldering Information

The RoHS-compliant, Z version, through-hole products use the SAC (Sn/Ag/Cu) Pb-free solder and RoHS-compliant components. The non-Z version products use lead-tin (Pb/Sn) solder and RoHS-compliant components. Both version modules are designed to be processed through single or dual wave soldering machines. The pins have an RoHS-compliant, pure tin finish that is compatible with both Pb and Pb-free wave soldering processes. A maximum preheat rate of 3°C/s is suggested. The wave preheat process should be such that the temperature of the power module board is kept below 210°C. For Pb solder, the recommended pot

temperature is 260°C, while the Pb-free solder pot is 270°C max. Not all RoHS-compliant through-hole products can be processed with paste-through-hole Pb or Pb-free reflow process. If additional information is needed, please consult with your GE representative for more details.

## Reflow Lead-Free Soldering Information

The RoHS-compliant through-hole products can be processed with the following paste-through-hole Pb or Pb-free reflow process.

Max. sustain temperature :

245°C (J-STD-020C Table 4-2: Packaging Thickness >=2.5mm / Volume > 2000mm<sup>3</sup>),

Peak temperature over 245°C is not suggested due to the potential reliability risk of components under continuous high-temperature.

Min. sustain duration above 217°C : 90 seconds

Min. sustain duration above 180°C : 150 seconds

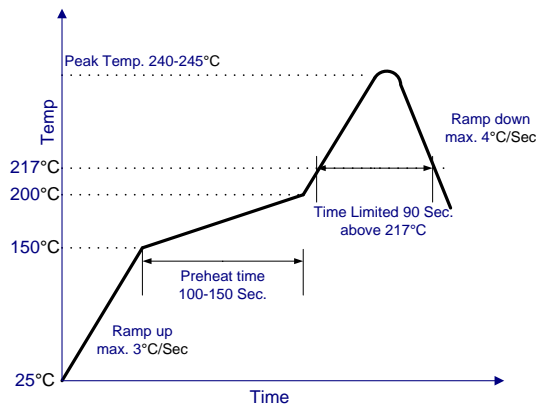
Max. heat up rate: 3°C/sec

Max. cool down rate: 4°C/sec

In compliance with JEDEC J-STD-020C spec for 2 times reflow requirement.

## Pb-free Reflow Profile

BMP module will comply with J-STD-020 Rev. C (Moisture/Reflow Sensitivity Classification for Nonhermetic Solid State Surface Mount Devices) for both Pb-free solder profiles and MSL classification procedures. BMP will comply with JEDEC J-STD-020C specification for 3 times reflow requirement. The suggested Pb-free solder paste is Sn/Ag/Cu (SAC). The recommended linear reflow profile using Sn/Ag/Cu solder is shown in Figure 23.



**Figure 23. Recommended linear reflow profile using Sn/Ag/Cu solder.**

## MSL Rating

The EBVW020A0BA modules have a MSL rating as indicated in the Device Codes table, last page of this document.

## Storage and Handling

# EBVW020A0B Barracuda Series; DC-DC Converter Power Modules

36-75Vdc Input; 12.0Vdc, 20.0A, 240W Output

The recommended storage environment and handling procedures for moisture-sensitive surface mount packages is detailed in J-STD-033 Rev. A (Handling, Packing, Shipping and Use of Moisture/Reflow Sensitive Surface Mount Devices). Moisture barrier bags (MBB) with desiccant are required for MSL ratings of 2 or greater. These sealed packages should not be broken until time of use. Once the original package is broken, the floor life of the product at conditions of  $\leq 30^{\circ}\text{C}$  and 60% relative humidity varies according to the MSL rating (see J-STD-025A). The shelf life for dry packed SMT packages will be a minimum of 12 months from the bag seal date, when stored at the following conditions:  $< 40^{\circ}\text{C}$ ,  $< 90\%$  relative humidity.

## Post Solder Cleaning and Drying Considerations

Post solder cleaning is usually the final circuit-board assembly process prior to electrical board testing. The result of inadequate cleaning and drying can affect both the reliability of a power module and the testability of the finished circuit-board assembly. For guidance on appropriate soldering, cleaning and drying procedures, refer to *GE Board Mounted Power Modules: Soldering and Cleaning Application Note (AP01-056EPS)*.

## EMC Considerations

The circuit and plots in Figure 24 shows a suggested configuration to meet the conducted emission limits of EN55032

Class B. For further information on designing for EMC compliance, please refer to the FLT007A0 data sheet.

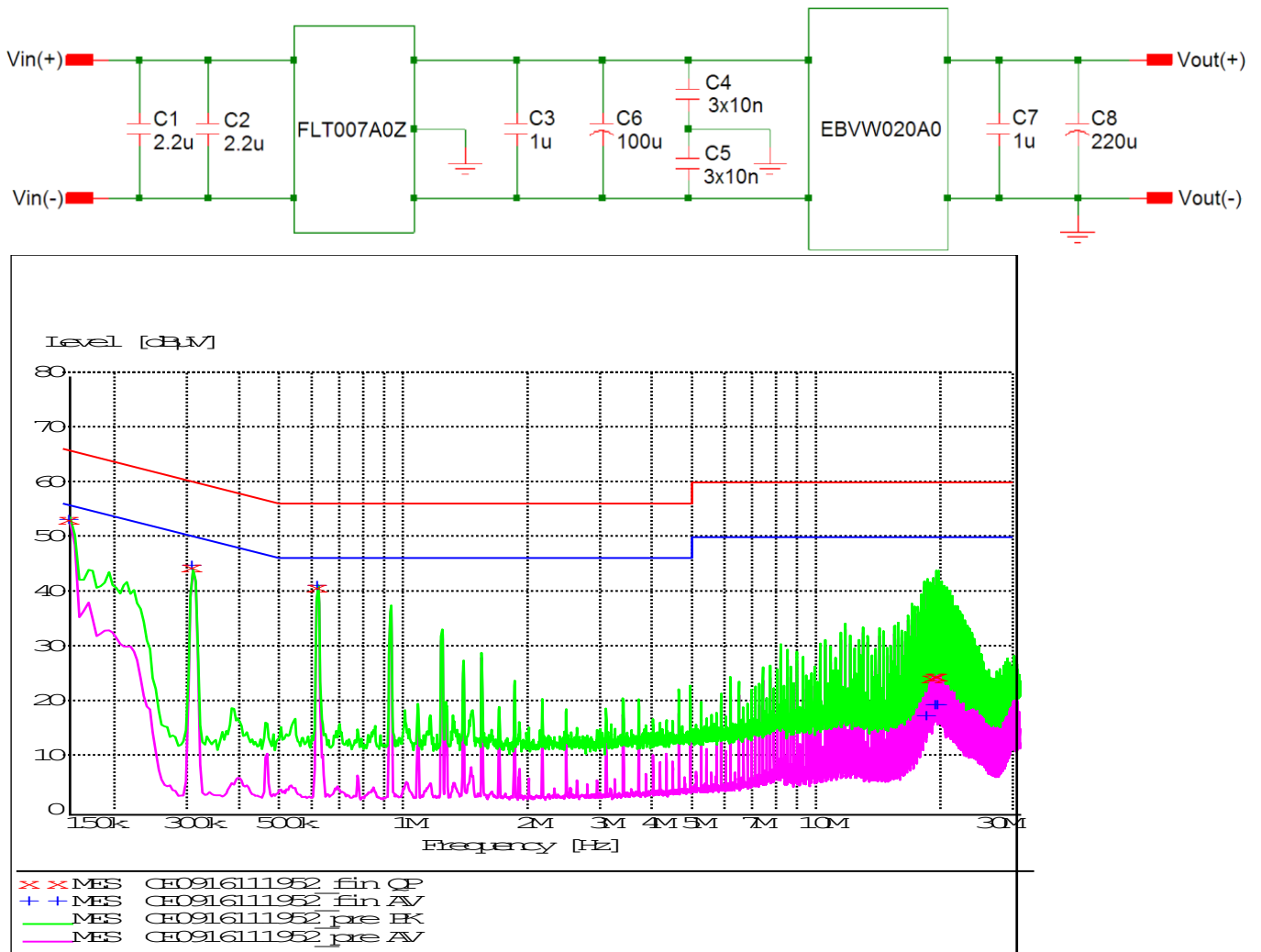


Figure 24. EMC Considerations.

# EBVW020A0B Barracuda Series; DC-DC Converter Power Modules

36-75Vdc Input; 12.0Vdc, 20.0A, 240W Output

## Packaging Details

All versions of the EBVW020A0B are supplied as standard in the plastic trays shown in Figure 25. Each tray contains a total of 18 power modules. The trays are self-stacking and each shipping box for the EBVW020A0B module contains 2 full trays plus one empty hold-down tray giving a total number of 36 power modules.

## Tray Specification

|                         |   |
|-------------------------|---|
| Material                | PET (1mm)   |
| Max surface resistivity | $10^9 - 10^{11} \Omega/\text{PET}$                |
| Color                   | Clear   |
| Capacity                | 18 power modules                                  |
| Min order quantity      | 36 pcs (1 box of 2 full trays + 1 empty top tray) |

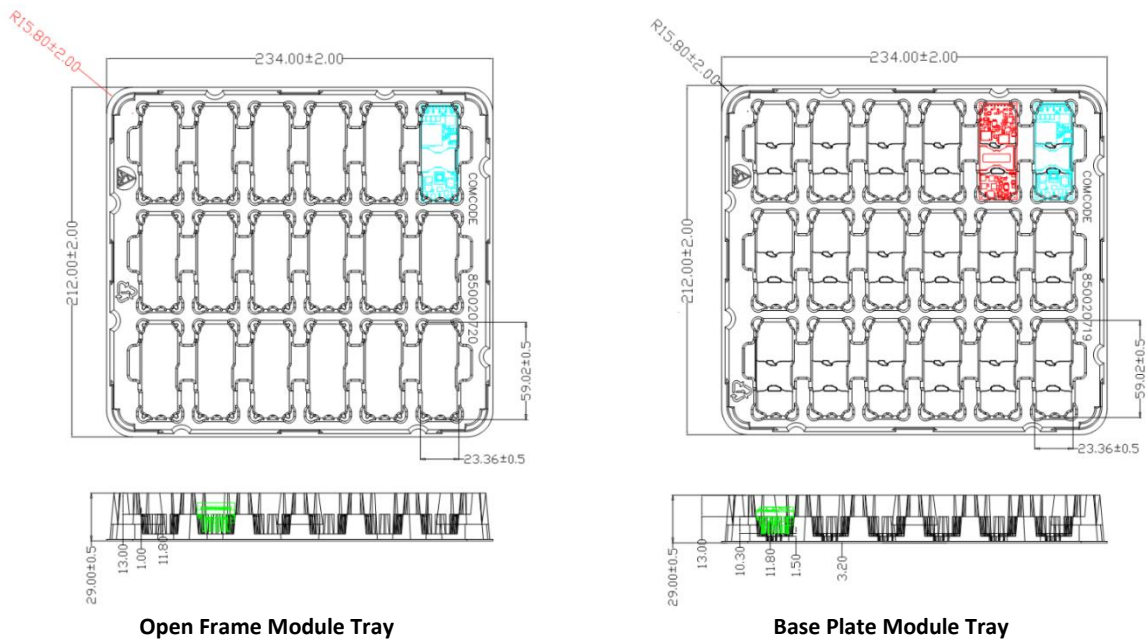


Figure 25. EBVW020 Packaging Tray

# EBVW020A0B Barracuda Series; DC-DC Converter Power Modules

36-75Vdc Input; 12.0Vdc, 20.0A, 240W Output

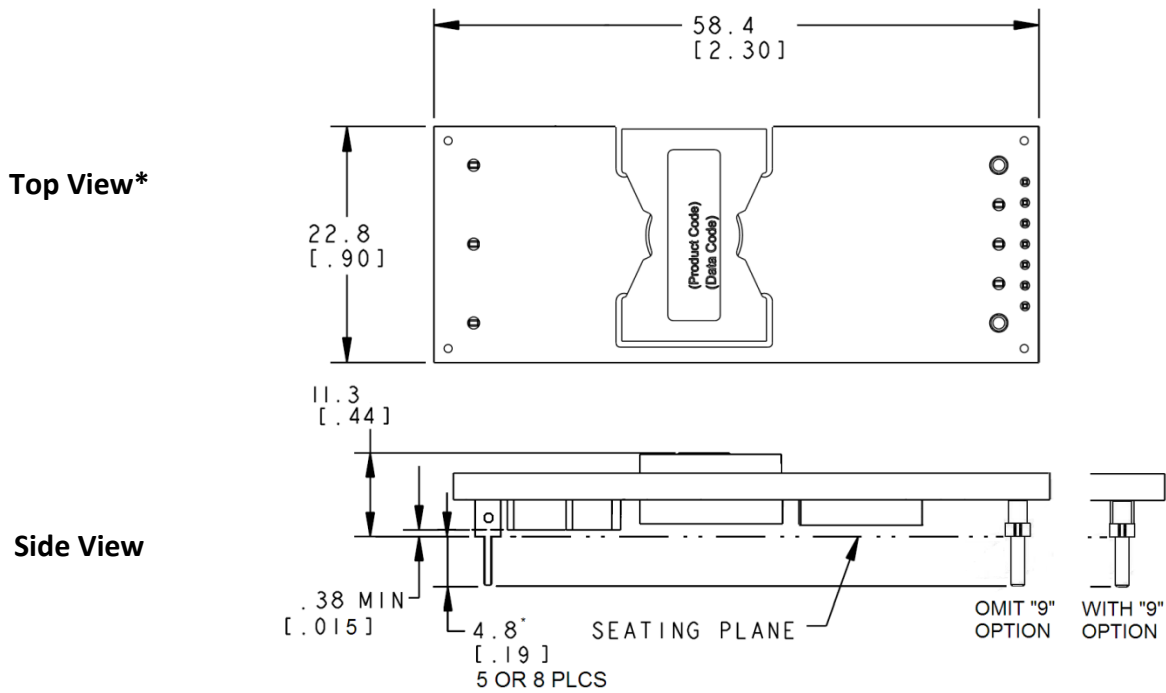
## Mechanical Outline for EBVW020A0B Through-hole Module

Dimensions are in millimeters and [inches].

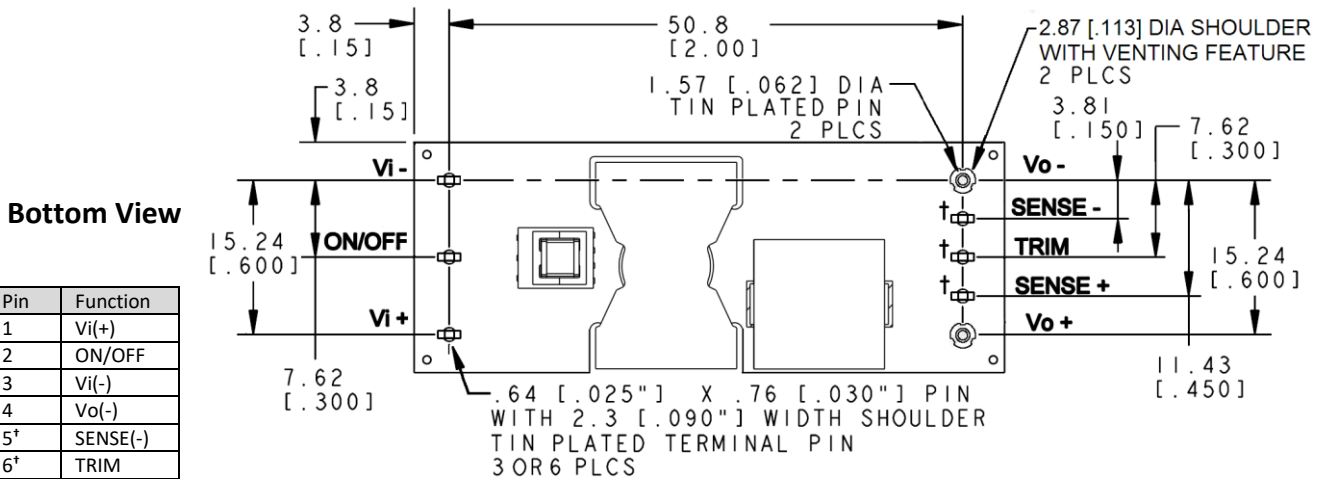
Tolerances: x.x mm ± 0.5 mm [x.xx in. ± 0.02 in.] (Unless otherwise indicated)

x.xx mm ± 0.25 mm [x.xxx in ± 0.010 in.]

Top side label includes GE name, product designation and date code.



\*For optional pin lengths, see Table 2, Device Coding Scheme and Options



| Pin | Function |
|-----|----------|
| 1   | Vi(+)    |
| 2   | ON/OFF   |
| 3   | Vi(-)    |
| 4   | Vo(-)    |
| 5†  | SENSE(-) |
| 6†  | TRIM     |
| 7†  | SENSE(+) |
| 8   | Vo(+)    |

† - Optional Pins, when including "9" Option, See Table 2

# EBVW020A0B Barracuda Series; DC-DC Converter Power Modules

36-75Vdc Input; 12.0Vdc, 20.0A, 240W Output

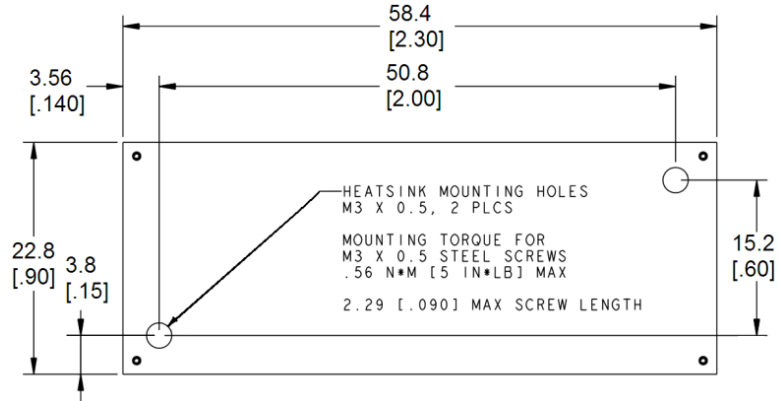
## Mechanical Outline for EBVW020A0B-H (Baseplate version) Through-hole Module

Dimensions are in millimeters and [inches].

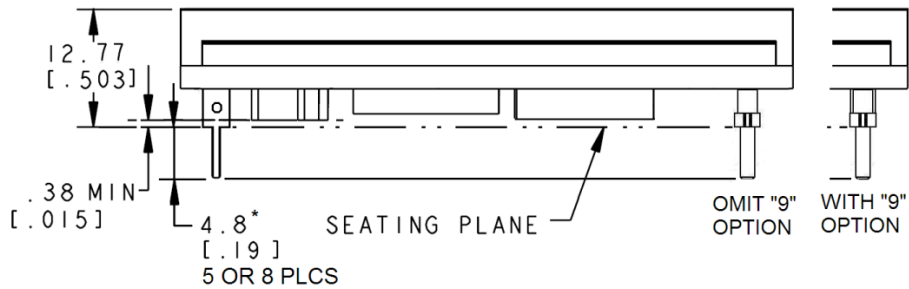
Tolerances: x.x mm ± 0.5 mm [x.xx in. ± 0.02 in.] (Unless otherwise indicated)

x.xx mm ± 0.25 mm [x.xxx in ± 0.010 in.]

Top View



Side View

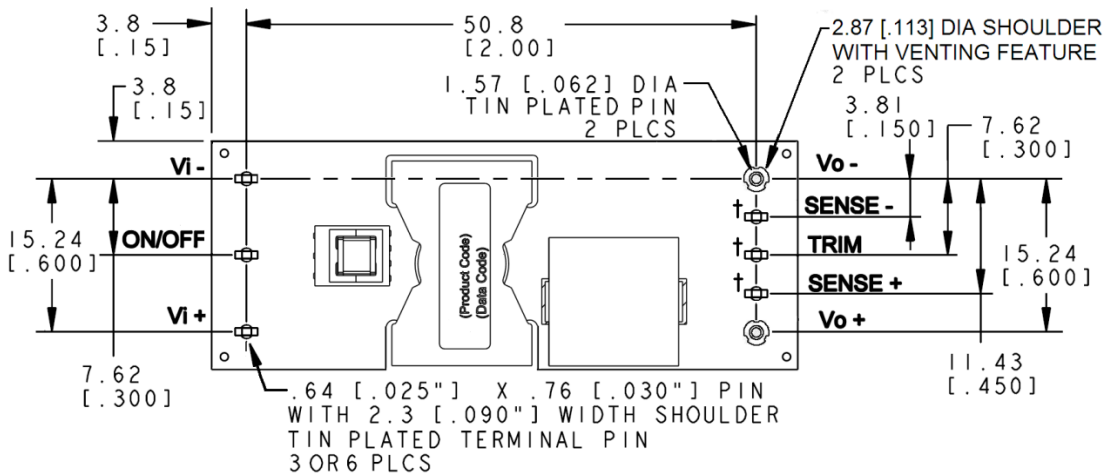


\*For optional pin lengths, see Table 2, Device Coding Scheme and Options

\* Bottom side label includes GE name, product designation and date

Bottom View\*

| Pin | Function |
|-----|----------|
| 1   | Vi(+)    |
| 2   | ON/OFF   |
| 3   | Vi(-)    |
| 4   | Vo(-)    |
| 5†  | SENSE(-) |
| 6†  | TRIM     |
| 7†  | SENSE(+) |
| 8   | Vo(+)    |



† - Optional Pins, when including "9" Option, See Table 2



# EBVW020A0B Barracuda Series; DC-DC Converter Power Modules

36-75Vdc Input; 12.0Vdc, 20.0A, 240W Output

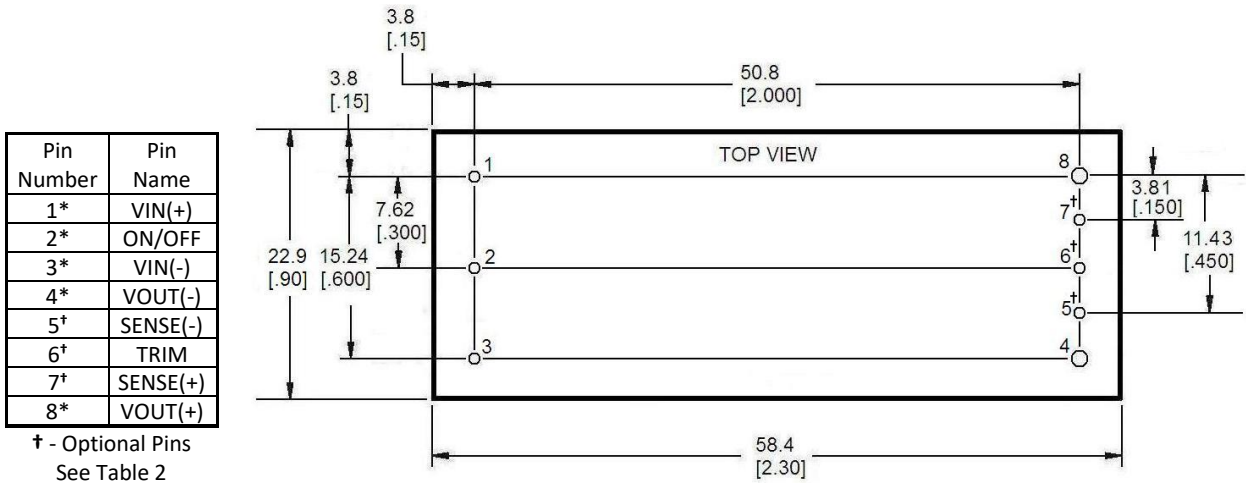
## Recommended Pad Layouts

Dimensions are in millimeters and (inches).

Tolerances: x.x mm ± 0.5 mm ( x.xx in. ± 0.02 in.) [unless otherwise indicated]

x.xx mm ± 0.25 mm ( x.xxx in ± 0.010 in.)

## Through-Hole Modules



Hole and Pad diameter recommendations:

| Pin Number       | Hole Dia mm [in] | Pad Dia mm [in] |
|------------------|------------------|-----------------|
| 1, 2, 3, 5, 6, 7 | 1.6 [.063]       | 2.1 [.083]      |
| 4, 8             | 2.2 [.087]       | 3.2 [.126]      |

## EBVW020A0B Barracuda Series; DC-DC Converter Power Modules

36-75Vdc Input; 12.0Vdc, 20.0A, 240W Output

### Ordering Information

Please contact your GE Sales Representative for pricing, availability and optional features.

**Table 1. Device Codes**

| Product codes     | Input Voltage  | Output Voltage | Output Current | Efficiency | Connector Type | MSL Rating | Comcodes    |
|-------------------|----------------|----------------|----------------|------------|----------------|------------|-------------|
| EBVW020A0B1Z      | 48V (36-75Vdc) | 12V            | 20A            | 95.2%      | Through hole   | 2a         | 150019309   |
| EBVW020A0B41Z     | 48V (36-75Vdc) | 12V            | 20A            | 95.2%      | Through hole   | 2a         | CC109167508 |
| EBVW020A0B64Z     | 48V (36-75Vdc) | 12V            | 20A            | 95.2%      | Through hole   | 2a         | 150021139   |
| EBVW020A0B641Z    | 48V (36-75Vdc) | 12V            | 20A            | 95.2%      | Through hole   | 2a         | CC109172466 |
| EBVW020A0B841Z    | 48V (36-75Vdc) | 12V            | 20A            | 95.2%      | Through hole   | 2a         | 150022307   |
| EBVW020A0B941Z    | 48V (36-75Vdc) | 12V            | 20A            | 95.2%      | Through hole   | 2a         | CC109172367 |
| EBVW020A0B984Z    | 48V (36-75Vdc) | 12V            | 20A            | 95.2%      | Through hole   | 2a         | 150022795   |
| EBVW020A0B9641Z   | 48V (36-75Vdc) | 12V            | 20A            | 95.2%      | Through hole   | 2a         | 150026416   |
| EBVW020A0B641-28Z | 48V (36-75Vdc) | 12V            | 20A            | 95.2%      | Through hole   | 2a         | 150048684   |
| EBVW020A0B41-HZ   | 48V (36-75Vdc) | 12V            | 20A            | 95.2%      | Through hole   | 2a         | CC109167516 |
| EBVW020A0B64-HZ   | 48V (36-75Vdc) | 12V            | 20A            | 95.2%      | Through hole   | 2a         | 150021143   |
| EBVW020A0B641-HZ  | 48V (36-75Vdc) | 12V            | 20A            | 95.2%      | Through hole   | 2a         | 150020433   |
| EBVW020A0B841-HZ  | 48V (36-75Vdc) | 12V            | 20A            | 95.2%      | Through hole   | 2a         | 150048763   |
| EBVW020A0B941-HZ  | 48V (36-75Vdc) | 12V            | 20A            | 95.2%      | Through hole   | 2a         | 150046160   |
| EBVW020A0B9641-HZ | 48V (36-75Vdc) | 12V            | 20A            | 95.2%      | Through hole   | 2a         | CC109172318 |
| EBVW020A0B41-PHZ  | 48V (36-75Vdc) | 12V            | 20A            | 95.2%      | Through hole   | 2a         | CC109172334 |

## EBVW020A0B Barracuda Series; DC-DC Converter Power Modules

36-75Vdc Input; 12.0Vdc, 20.0A, 240W Output

**Table 2. Device Options**

|         | Characteristic                       | Character and Position | Definition  |
|---------|--------------------------------------|------------------------|---|
| Ratings | Form Factor                          | E                      | E = Eighth Brick  |
|         | Family Designator                    | BV                     | BV = BARRACUDA Series, without PMBus interface  |
|         | Input Voltage                        | W                      | W = Wide Range, 36V-75V   |
|         | Output Current                       | 020A0                  | 020A0 = 020.0 Amps Maximum Output Current   |
|         | Output Voltage                       | B                      | B = 12.0V nominal   |
| Options | Trim and Remote Sense Pins           | 9                      | Omit = Exclude Trim & Sense Feature and Pins<br>9 = Include Trim and Sense Feature and Pins (not avail. with P option)  |
|         | Pin Length                           | 8<br>6                 | Omit = Default Pin Length shown in Mechanical Outline Figures<br>8 = Pin Length: 2.79 mm ± 0.25mm , (0.110 in. ± 0.010 in.)<br>6 = Pin Length: 3.68 mm ± 0.25mm , (0.145 in. ± 0.010 in.) |
|         | Action following Protective Shutdown | 4                      | Omit = Latching Mode<br>4 = Auto-restart following shutdown (Overcurrent/Overvoltage)   |
|         | On/Off Logic                         | 1                      | Omit = Positive Logic<br>1 = Negative Logic   |
|         | Customer Specific                    | XY                     | xy: 01-09. Altered firmware defaults from base codes<br>xy: 10-99. Customer specific build, hardware and/or default changes   |
|         | Optional Features                    | P<br>H                 | Omit = Standard open Frame Module<br>P = Forced Droop Output for use in parallel applications (not avail. with 9 option)<br>H = Heat plate, for use with heat sinks or cold-walls         |
|         | RoHS                                 | Z                      | Z = RoHS 6/6 Compliant, Lead free   |

## Contact Us

For more information, call us at

USA/Canada:

**+1 877 546 3243**, or +1 972 244 9288

Asia-Pacific:

**+86-21-53899666**

Europe, Middle-East and Africa:

**+49.89.878067-280**

[Go.ABB/Industrial](#)



GE Critical Power reserves the right to make changes to the product(s) or information contained herein without notice, and no liability is assumed as a result of their use or application. No rights under any patent accompany the sale of any such product(s) or information.