

## CT1812CSF Series

From 1.0 $\mu$ H to 33 $\mu$ H



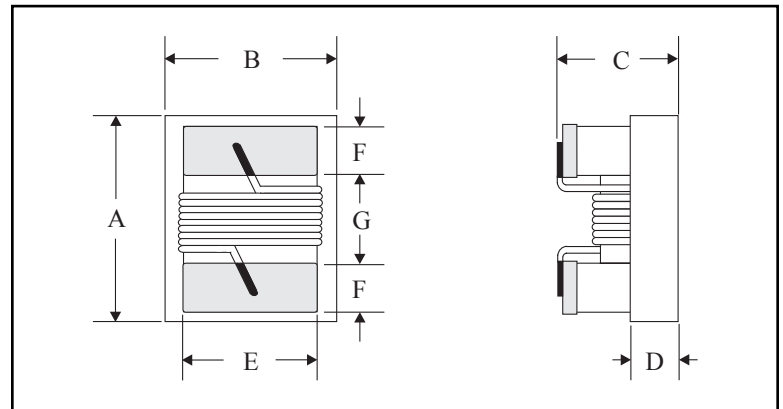
### SPECIFICATIONS

Parts are available in  $\pm 5\%$  inductance tolerance only.

Part Number	Inductance ( $\mu$ H)	L Test Freq. (MHz)	Q Min.	Q Test Freq. (MHz)	SRF Min. (MHz)	DCR Max. ( $\Omega$ )	I <sub>rms</sub> Typ. (mA)
CT1812CSF-1R0J	1.0	7.9	60	50	310	1.2	480
CT1812CSF-1R2J	1.2	7.9	62	50	230	1.2	480
CT1812CSF-1R5J	1.5	7.9	65	50	210	1.6	430
CT1812CSF-1R8J	1.8	7.9	68	50	190	2.0	380
CT1812CSF-2R2J	2.2	7.9	63	50	170	2.2	340
CT1812CSF-2R7J	2.7	7.9	60	50	160	3.2	300
CT1812CSF-3R3J	3.3	7.9	60	50	145	3.8	270
CT1812CSF-3R9J	3.9	7.9	61	50	130	5.0	240
CT1812CSF-4R7J	4.7	7.9	60	50	115	5.4	230
CT1812CSF-5R6J	5.6	7.9	42	50	100	5.7	220
CT1812CSF-6R8J	6.8	7.9	32	50	90	6.6	210
CT1812CSF-8R2J	8.2	7.9	35	50	80	7.0	200
CT1812CSF-10J	10	7.9	27	50	70	7.7	190
CT1812CSF-12J	12	2.5	34	10	58	8.7	180
CT1812CSF-15J	15	2.5	32	10	48	9.6	170
CT1812CSF-18J	18	2.5	28	10	36	10.5	160
CT1812CSF-22J	22	2.5	28	10	34	11.5	155
CT1812CSF-27J	27	2.5	28	10	30	12.5	150
CT1812CSF-33J	33	2.5	20	10	20	13.5	145

### PHYSICAL DIMENSIONS

Size	A	B	C	D	E	F	G
	Max.	Max.	Max.				
mm	4.95	3.81	3.43	1.78	2.54	0.64	3.25
inches	0.19	0.15	0.14	0.07	0.10	0.03	0.13



### CHARACTERISTICS

- Description:** SMD ceramic core wire-wound chip inductor
- Applications:** RF products for cellular phone, GPS receiver, base station, repeater, wireless LAN/mouse/keyboard/earphone, remote control, security system, etc.
- Operating Temperature:** -40°C to +125°C (including self-temperature rise)
- I<sub>rms</sub>:** A 15°C temperature rise from 25°C ambient with current
- Inductance Tolerance:**  $\pm 5\%$
- Packaging:** Tape & Reel
- Miscellaneous:** RoHS Compliant
- Additional Information:** Additional electrical & physical information available upon request
- Samples available. See website for ordering information.**

### PAD LAYOUT

