

EAC/EAM/EAP series

EAC -10 -472 -□

① ② ③ ④

- ① Series Name
- ② Rated Current
- ③ Line to ground capacitor code: Refer to table 1.1.

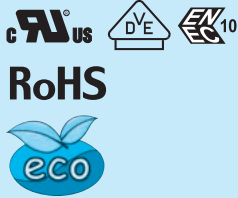
table 1.1 Line to ground capacitor code

| Code | E A C | E A M | E A P | Leakage Current (Input 125/250V 60Hz) | Line to ground capacitor (nominal value) |
|------|-------------|-------------|-------------|--|---|
| 000 | ● | ● | ● | 5 μ A / 10 μ A max | Not Provided |
| 101 | ● | ● | ● | 12.5 μ A / 25 μ A max | 100pF |
| 221 | ● | ● | ● | 25 μ A / 50 μ A max | 220pF |
| 331 | ● | ● | ● | 37.5 μ A / 75 μ A max | 330pF |
| 471 | ● | ● | ● | 50 μ A / 100 μ A max | 470pF |
| 681 | ● | ● | ● | 75.5 μ A / 150 μ A max | 680pF |
| 102 | ● | ● | ● | 0.13mA / 0.25mA max | 1,000pF |
| 222 | ● | ● | ● | 0.25mA / 0.5 mA max | 2,200pF |
| 332 | ● | ● | ● | 0.38mA / 0.75mA max | 3,300pF |
| 472 | ● | ● | ● | 0.5 mA / 1.0 mA max | 4,700pF |

*When the line to ground capacitor code is different, the attenuation characteristic is different.

- ④ Option
- D: DIN rail installation type

* The dimensions change when the option is set. Refer to External view.



The terminal cover is retracted inside the unit

DIN rail installation type is option

Features of EAC/EAM/EAP series

- Single Phase 250VAC (1-Stage filter)
 - Small size
 - Quick and easy push-down terminal
- Just connect the wires, push-down and tighten the screws with a screwdriver

■ EAC: Attenuation type from 150kHz to 1MHz

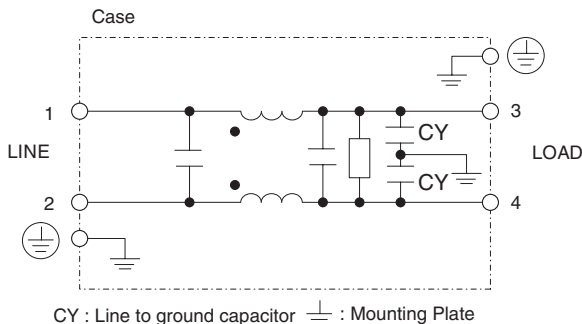
■ EAM: Low leakage current type

■ EAP: Outside impulse attenuation type

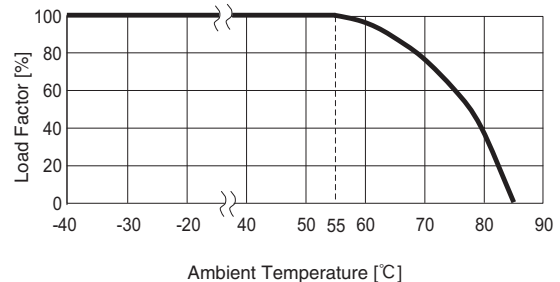
Specifications

| No. | Items | EAC-03-472 | EAC-06-472 | EAC-10-472 | EAC-16-472 | EAC-20-472 | EAC-30-472 |
|-----|--|--|-------------------|------------------|------------------|------------------|-----------------|
| | | EAM-03-000 | EAM-06-000 | EAM-10-000 | EAM-16-000 | EAM-20-000 | EAM-30-000 |
| | | EAP-03-472 | EAP-06-472 | EAP-10-472 | EAP-16-472 | EAP-20-472 | EAP-30-472 |
| 1 | Rated Voltage[V] | AC 1 ϕ 250 / DC250 | | | | | |
| 2 | Rated Current[A] | 3 | 6 | 10 | 16 | 20 | 30 |
| 3 | Test Voltage (Terminal-Mounting Plate) | 2,500 VAC (Cutoff Current = 20mA), 1minute at room temperature and humidity | | | | | |
| 4 | Isolation Resistance (Terminal-Mounting Plate) | 500 VDC 500M Ω min at room temperature and humidity | | | | | |
| 5 | Leakage current | Refer to table 1.1 | | | | | |
| 6 | DC resistance | 180m Ω max | 110m Ω max | 40m Ω max | 20m Ω max | 10m Ω max | 6m Ω max |
| 7 | Safety agency approval temperatures | -25 to +85°C (Refer to Derating Curve) | | | | | |
| 8 | Operating temperature | -40 to +85°C (Refer to Derating Curve) | | | | | |
| 9 | Operating humidity | 20 to 95%RH (Non condensing) | | | | | |
| 10 | Storage temperature/humidity | -40 to +85°C/20 to 95%RH (Non condensing) | | | | | |
| 11 | Vibration | 10 to 55Hz, 19.6m/s ² (2G), 3min. Period, 1hour each X, Y and Z axis | | | | | |
| 12 | Impact | 196.1m/s ² (20G), 11ms Once each X, Y and Z axis | | | | | |
| 13 | Safety agency approvals | UL1283, CSA C22.2 No.8 (C-UL), DIN EN60939 VDE0565 Teil3-1, ENEC (At only AC input) | | | | | |
| 14 | Case size (without projection) /Weight | 39 X 30 X 85 mm [1.54 X 1.18 X 3.35 inches] (W X H X D) /170g max (Option : -D refer to external view) | | | | | |

Circuit Diagram



Derating Curve

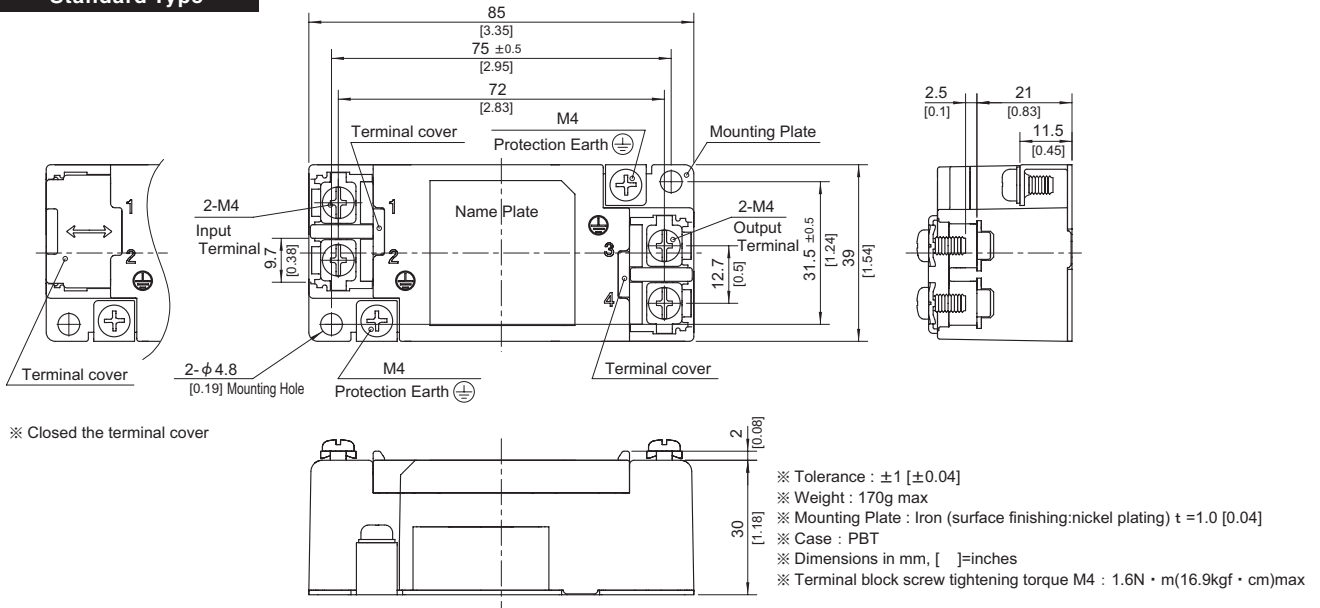


External view

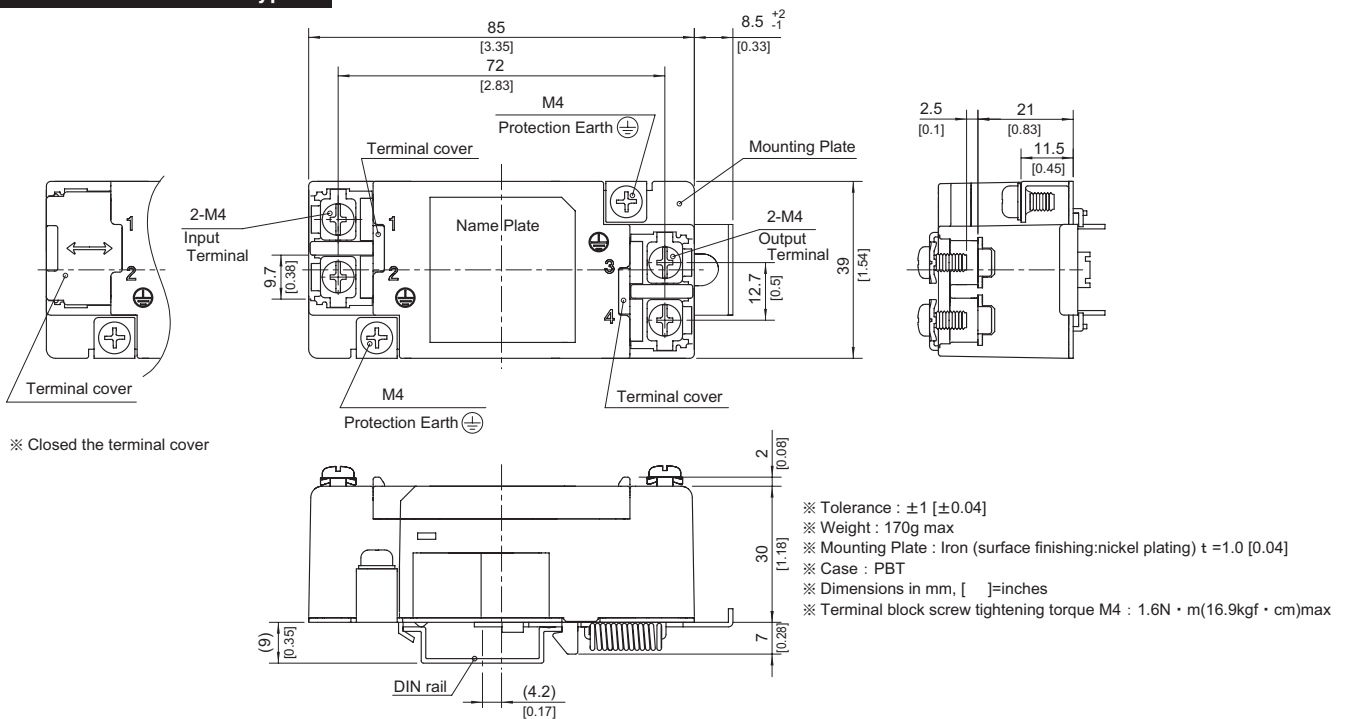
This product is shipped in the following condition, because it is equipped with push-down terminals.

- ① The terminal cover is retracted inside the unit.
- ② The screws for connecting the terminals are held in the up right position.

Standard Type



DIN rail installation Type



■Note when installing the EMI/EMC Filter on a DIN rail.

When the EMI/EMC Filter is grounded through the DIN rail, the proper noise attenuation may not be achieved.

Be sure to connect the protection earth (PE) of the EMI/EMC Filter body to the earth. At least one PE connection is required.

