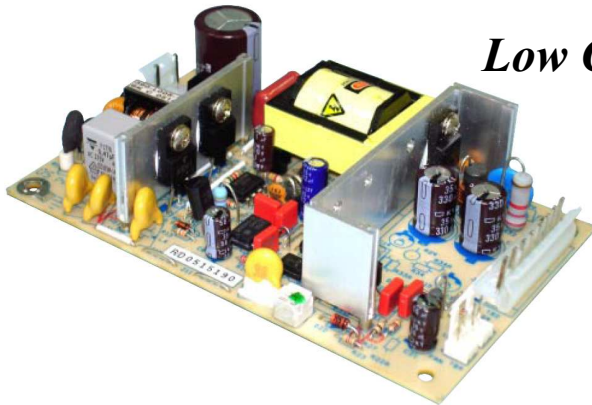


DYL060 SERIES

60 Watts For Medical & Industrial Applications

95 Watts Peak Current

Low Cost



DESCRIPTION

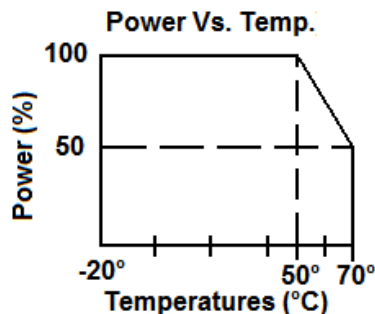
DYL060 series is a universal input multiple output power supply. The series is a 60 Watt power supply in the size of 3" x 5" with a wattage density of 3.1W/in³. The efficiency can reach up to 75-86% depending on model.

FEATURES

- EMI FCC Class B
- No Minimum Load Required
- Single and Multiple Output
- Universal input 90VAC to 264VAC
- Low Leakage Current
- Double Fused

APPLICATIONS

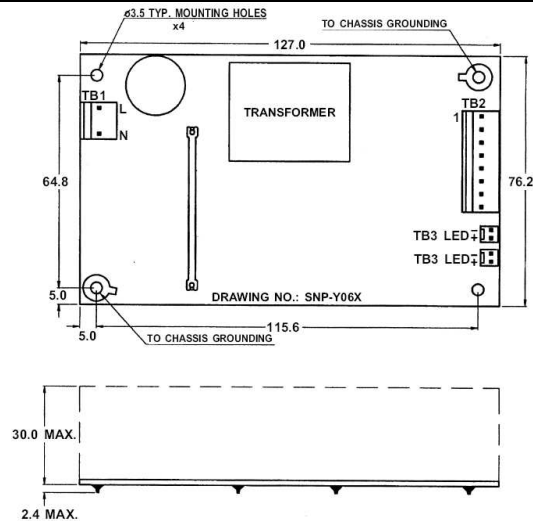
- Computer Peripherals
- Telecommunications
- Tape Drives
- Test Instrumentation Product
- Data Acquisition
- Medical & Dental



GENERAL SPECIFICATIONS

Input Voltage.....	90VAC to 264VAC
Input Frequency.....	47Hz to 63Hz
Inrush Current (cold).....	Less than 30A at 115VAC, 25°C
Operating Temperature.....	0 to 70°C de-rated 2.5%/°C >50°C
Storage Temperature.....	-40°C to 85°C
Cooling.....	Free Air Convection
Efficiency.....	75% to 86%
Holdup Time.....	>16ms at 115VAC
Oversvoltage Type.....	Latch Off
Overload Protection.....	Auto recovery
Short Circuit Protection.....	Auto recovery
Earth Leakage.....	300µA Max @ 240VAC
Designed in full compliance with	UL 60950-1, UL60601-1 CSA 22.2 #60950-1,601.1 EN60950-1,EN60601-1
EMI	EN55022 "B", EN55011 "B" FCC docket class "B"
EMS.....	EN61000-4-2,-3,-4,-5,-6,-8,-11

MECHANICAL SPECIFICATIONS



- Connector: TB1—AC input : Molex 5277-2 or equivalent
 TB2—DC output : Molex 5273-8 or equivalent
 TB3—For LED : Molex 5045-2 or equivalent for DYL060-1
 TB4—For FAN -3, -7, -7-1, -8, -8-1, 9, -9-1, -19, -01-1
 TB3—For LED : Molex 5045-2 or equivalent for DYL060-6
 TB4—For Remote Sense -18
 TB3—For LED : Molex 5045-2 or equivalent for DYL060-14

Size: 76.2mm x 127mm x 30mm ; 3" x 5" x 1.18"
 Mounting Holes: 64.8mm x 115.6mm ; 2.551" x 4.551"

DYL060 SERIES OUTPUT SPECIFICATIONS

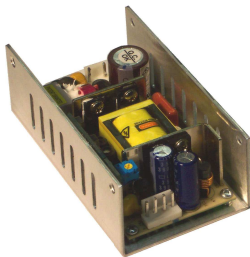
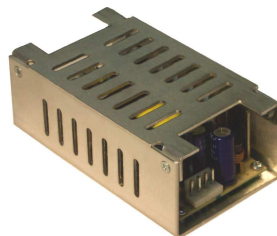
Model	Watts	Voltage (Vdc)	Load (A)				Voltage Tolerance ±	Ripple & Noise Pk to Pk	Regulation	
			Min.	Rate	Max	Peak			Line	Load
DYL060-1	60	+5V	0	3		5	±1%	1%	±1%	±3%
		+12	0	3		5	±5%	1%	±1%	±3%
		-12	0	0.3		1	±5%	1%	±1%	±5%
DYL060-3	60	+5V	0	3		5	±1%	1%	±1%	±3%
		+12V	0	3.5		5.5	±5%	1%	±1%	±3%
DYL060-6	60	+5V	0	10		15	±1%	1%	±1%	±1%
DYL060-7	60	+12V	0	4.8		7.5	±1%	1%	±1%	±1%
		+5V	0	0.5		1	±5%	1%	±1%	±1%
DYL060-7-1	60	+12V	0	5		7.5	±1%	1%	±1%	±1%
DYL060-8	60	+15V	0	3.8		6.0	±1%	1%	±1%	±1%
		+5V	0	0.5		1	±5%	1%	±1%	±1%
DYL060-8-1	60	+15V	0	4.0		6.0	1%	1%	±1%	±1%
DYL060-9	60	+24V	0.1	2.4		3.8	±1%	1%	±1%	±1%
		+5V	0	0.5		1	±5%	1%	±1%	±1%
DYL060-9-1	60	+24V	0.1	2.7		3.8	±1%	1%	±1%	±1%
DYL060-14	60	+48V	0	1.25		2	±1%	1%	±1%	±1%
DYL060-18	60	+3.3V	0	10		18	±1%	50mv	±1%	±3%
DYL060-19	60	+3.3V	0	5	5	8	±1%	50mv	±1%	±3%
		+5V	0	4	6	7	±5%	1%	±1%	±3%
		+12V	0	1		2	±5%	1%	±1%	±5%
		-12V	0	0.6		1	±5%	1%	±1%	±5%
DYL060-01-1	60	+5V	0	3		5	±1%	1%	±1%	±3%
		+12V	0	3		5	±5%	1%	±1%	±3%
		-12V	0	0.3		1	±5%	1%	±1%	±5%
		-5V	0	0.3		1	±5%	1%	±1%	±5%

Note: Contact factory for Safety Agency Approved status.

1. Each output can provide up to peak load temporarily. Continuous operation at greater than rated load is not allowed.
2. At factory, in 60% rated load condition, each output is checked to be within voltage accuracy.
3. Line regulation is defined by changing ±10% of input voltage from nominal line at rated load.
4. Load regulation is defined by changing ±40% of measured output load from 60% rated load.
5. The ripple and noise is measured by using 15MHz bandwidth limited oscilloscope. Each output is terminated with a 0.47 µF capacitor at rated load and nominal line.
6. Hold up time is measured from the end of the last charging pulse to the time when the main output drops down to 95% output voltage at rated load and nominal line.
7. Efficiency is measured at rated load.

DYL060 SERIES 60 WATT— PIN ASSIGNMENT

Model \ Pin	1	2	3	4	5	6	7	8
DYL060-1	+5V	+5V	GND	GND	+12V	+12V	-12V	NC
DYL060-3	+5V	+5V	GND	GND	+12V	+12V	NC	NC
DYL060-6	+5V	+5V	+5V	+5V	GND	GND	GND	GND
DYL060-7	+12V	+12V	+12V	GND	GND	GND	GND	+5V
DYL060-7-1	+12V	+12V	+12V	GND	GND	GND	GND	NC
DYL060-8	+15V	+15V	+15V	GND	GND	GND	GND	+5V
DYL060-8-1	+15V	+15V	+15V	GND	GND	GND	GND	NC
DYL060-9	+24V	+24V	+24V	GND	GND	GND	GND	+5V
DYL060-9-1	+24V	+24V	+24V	GND	GND	GND	GND	NC
DYL060-14	+48V	+48V	+48V	GND	GND	GND	GND	NC
DYL060-18	+3.3V	+3.3V	+3.3V	GND	GND	GND	GND	GND
DYL060-19	+3.3V	+3.3V	GND	GND	+5V	+5V	-12V	+12V
DYL060-01-1	+5V	+5V	GND	GND	+12V	+12V	-12V	-5V

ENCLOSURES (optional)
EUS

ECS


Our Standard power supplies, the DYL060 Series, can be installed into a fully enclosed chassis or in a 'U' shape chassis as an option. These options offer two mounting planes. The fully enclosed option helps to reduce radiated noise.

Example Part Number:
 DYL060-9ECS or DYL060-9EUS

*Note DY040 pictured in chassis