

National Semiconductor is now part of
Texas Instruments.

Search <http://www.ti.com/> for the latest technical
information and details on our current products and services.

LM139A/LM139QML

Low Power Low Offset Voltage Quad Comparators

General Description

The LM139 series consists of four independent precision voltage comparators with an offset voltage specification as low as 2 mV max for all four comparators. These were designed specifically to operate from a single power supply over a wide range of voltages. Operation from split power supplies is also possible and the low power supply current drain is independent of the magnitude of the power supply voltage. These comparators also have a unique characteristic in that the input common-mode voltage range includes ground, even though operated from a single power supply voltage.

Application areas include limit comparators, simple analog to digital converters; pulse, squarewave and time delay generators; wide range VCO; MOS clock timers; multivibrators and high voltage digital logic gates. The LM139 series was designed to directly interface with TTL and CMOS. When operated from both plus and minus power supplies, they will directly interface with MOS logic— where the low power drain of the LM139/LM139A is a distinct advantage over standard comparators.

Features

- Available with Radiation Guarantee
 - Total Ionizing Dose 100 krad(Si)
 - ELDRS Free 100 krad(Si)
- Wide supply voltage range
- LM139/139A Series 2 to 36 V_{DC} or ±1 to ±18 V_{DC}
- Very low supply current drain (0.8 mA) — independent of supply voltage
- Low input biasing current: 25 nA
- Low input offset current: ±5 nA
- Offset voltage: ±1 mV
- Input common-mode voltage range includes GND
- Differential input voltage range equal to the power supply voltage
- Low output saturation voltage: 250 mV at 4 mA
- Output voltage compatible with TTL, DTL, ECL, MOS and CMOS logic systems

Advantages

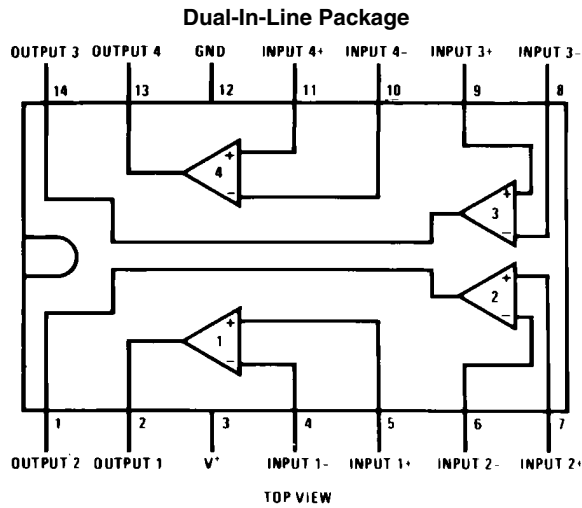
- High precision comparators
- Reduced V_{OS} drift over temperature
- Eliminates need for dual supplies
- Allows sensing near GND
- Compatible with all forms of logic
- Power drain suitable for battery operation

Ordering Information

NS Part Number	SMD Part Number	NS Package Number	Package Description
LM139E/883		E20A	20 terminal Leadless Chip Carrier
LM139J/883		J14A	14LD CERDIP
LM139W/883		W14B	14LD CERPACK
LM139WG/883		WG14A	14LD Ceramic SOIC
LM139AE-SMD	5962-87739012A	E20A	20 terminal Leadless Chip Carrier
LM139AJ-SMD	5962-8773901CA	J14A	14LD CERDIP
LM139AW-SMD	5962-8773901DA	W14B	14LD CERPACK
LM139AWG-SMD	5962-8773901XA	WG14A	14LD Ceramic SOIC
LM139AE/883		E20A	20 terminal Leadless Chip Carrier
LM139AJ-QMLV	5962-9673801VCA	J14A	14LD CERDIP
LM139AJ/883		J14A	14LD CERDIP
LM139AJLQMLV (Note 10)	5962L9673801VCA 50 krad(Si)	J14A	14LD CERDIP
LM139AJRQMLV (Note 10)	5962R9673801VCA 100 krad(Si)	J14A	14LD CERDIP

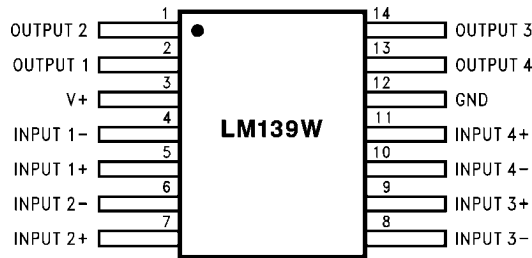
NS Part Number	SMD Part Number	NS Package Number	Package Description
LM139AJRLQMLV (Note 14) ELDRS Free	5962R9673802VCA 100 krad(Si)	J14A	14LD CERDIP
LM139AW-QMLV	5962-9673801VDA	W14B	14LD CERPACK
LM139AW/883		W14B	14LD CERPACK
LM139AWG-QMLV	5962-9673801VXA	WG14A	14LD Ceramic SOIC
LM139AWG/883		WG14A	14LD Ceramic SOIC
LM139AWGLQMLV (Note 10)	5962L9673801VXA 50 krad(Si)	WG14A	14LD Ceramic SOIC
LM139AWGRQMLV (Note 10)	5962R9673801VXA 100 krad(Si)	WG14A	14LD Ceramic SOIC
LM139AWGRLQMLV (Note 14) ELDRS Free	5962R9673802VXA 100 krad(Si)	WG14A	14LD Ceramic SOIC
LM139AWLQMLV (Note 10)	5962L9673801VDA 50 krad(Si)	W14B	14LD CERPACK
LM139AWRQMLV (Note 10)	5962R9673801VDA 100 krad(Si)	W14B	14LD CERPACK
LM139AWRLQMLV (Note 14) ELDRS Free	5962R9673802VDA 100 krad(Si)	W14B	14LD CERPACK

Connection Diagrams



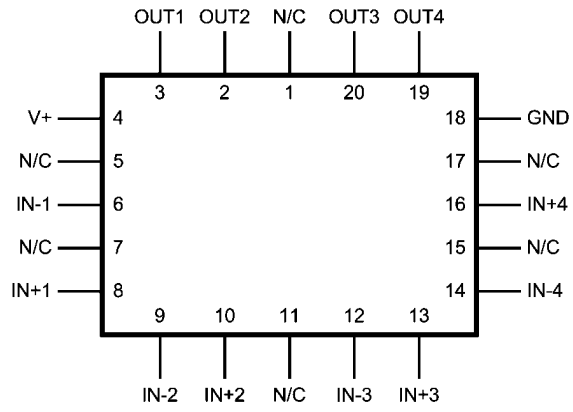
20122102

See NS Package Number J14A



20122127

See NS Package Number W14B, WG14A



See NS Package Number E20A

20122144

Absolute Maximum Ratings (Note 1)

	LM139 / LM139A
Supply Voltage, V^+	$36 V_{DC}$ or $\pm 18 V_{DC}$
Differential Input Voltage (Note 7)	$36 V_{DC}$
Input Voltage	$-0.3 V_{DC}$ to $+36 V_{DC}$
Input Current ($V_{IN} < -0.3 V_{DC}$) (Note 3)	50 mA
Power Dissipation (Notes 4, 13)	
LCC	1250 mW
CERDIP	1200 mW
CERPACK	680 mW
SOIC	680 mW
Sink Current (approx) (Note 11)	20mA
Output Short-Circuit to GND, (Note 2)	Continuous
Storage Temperature Range	$-65^{\circ}\text{C} \leq T_A \leq +150^{\circ}\text{C}$
Maximum Junction Temperature (T_J)	$+150^{\circ}\text{C}$
Lead Temperature (Soldering, 10 seconds)	300°C
Operating Temperature Range	$-55^{\circ}\text{C} \leq T_A \leq +125^{\circ}\text{C}$
Thermal Resistance	
θ_{JA}	
LCC (Still Air)	100°C/W
LCC (500LF / Min Air flow)	73°C/W
CERDIP (Still Air)	103°C/W
CERDIP (500LF / Min Air flow)	65°C/W
CERPACK (Still Air)	183°C/W
CERPACK (500LF / Min Air flow)	120°C/W
SOIC (Still Air)	183°C/W
SOIC (500LF / Min Air flow)	120°C/W
θ_{JC}	
LCC	28°C/W
CERDIP	23°C/W
CERPACK	23°C/W
SOIC	23°C/W
Package Weight (typical)	
LCC	470mg
CERDIP	2,190mg
CERPACK	460mg
SOIC	410mg
ESD rating (Note 12)	600V

Recommended Operating Conditions

Supply Voltage	$5.0 V_{DC}$ to $+30 V_{DC}$
Ambient Operating Temperature Range	$-55^{\circ}\text{C} \leq T_A \leq +125^{\circ}\text{C}$

Quality Conformance Inspection

Mil-Std-883, Method 5005 — Group A

Subgroup	Description	Temp (°C)
1	Static tests at	25
2	Static tests at	125
3	Static tests at	-55
4	Dynamic tests at	25
5	Dynamic tests at	125
6	Dynamic tests at	-55
7	Functional tests at	25
8A	Functional tests at	125
8B	Functional tests at	-55
9	Switching tests at	25
10	Switching tests at	125
11	Switching tests at	-55

LM139 883 Electrical Characteristics

DC Parameters

The following conditions apply, unless otherwise specified. +V = 5V, $V_{CM} = 0V$

Symbol	Parameters	Conditions	Notes	Min	Max	Unit	Sub-groups
I_{CC}	Supply Current	$R_L = \text{Infinity}$			2.0	mA	1, 2, 3
	Supply Current	+V = 30V, $R_L = \text{Infinity}$			2.0	mA	1, 2, 3
V_{IO}	Input Offset Voltage	+V = 30V		-5.0	5.0	mV	1
				-9.0	9.0	mV	2, 3
		+V = 30V, $V_{CM} = 28.5V$		-5.0	5.0	mV	1
		+V = 30V, $V_{CM} = 28.0V$		-9.0	9.0	mV	2, 3
				-5.0	5.0	mV	1
				-9.0	9.0	mV	2, 3
CMRR	Common Mode Rejection Ratio	+V = 30V, $V_{CM} = 0V$ to 28.5V		60		dB	1
PSRR	Power Supply Rejection Ratio	+V = 5V to 30V		60		dB	1
$\pm I_{Bias}$	Input Bias Current	$V_O = 1.5V$	(Note 5)	-100	-1.0	nA	1
			(Note 5)	-300	-1.0	nA	2, 3
I_{IO}	Input Offset Current	$V_O = 1.5V$		-25	25	nA	1
				-100	100	nA	2, 3
I_{CEX}	Output Leakage Current	+V = 30V, $V_O = 30V$			1.0	μA	1, 2, 3
I_{Sink}	Output Sink Current	$V_O = 1.5V$		6.0		mA	1
V_{Sat}	Saturation Voltage	$I_{Sink} = 4mA$			400	mV	1
					700	mV	2, 3
A_V	Voltage Gain	+V = 15V, $R_L \geq 15\Omega K$, $V_I = 1V$ to 11V		50		V/mV	1
V_{CM}	Common Mode Voltage Range	+V = 30V	(Note 8)	0	$V^+ - (1.5)$	V	1
			(Note 8)	0	$V^+ - (2.0)$	V	2, 3
V_{Diff}	Differential Input Voltage	+V = 30V, -V = 0V, + $V_I = 36V$, - $V_I = 0V$	(Note 9)		500	nA	1, 2, 3
		+V = 30V, -V = 0V, + $V_I = 0V$, - $V_I = 36V$	(Note 9)		500	nA	1, 2, 3

AC Parameters

The following conditions apply, unless otherwise specified. +V = 5V

Symbol	Parameters	Conditions	Notes	Min	Max	Unit	Sub-groups
t_{RLH}	Response Time	$V_{OD} = 5mV$			5.0	μS	9
		$V_{OD} = 50mV$			0.8	μS	9
t_{RHL}	Response Time	$V_{OD} = 5mV$			2.5	μS	9
		$V_{OD} = 50mV$			0.8	μS	9

LM139A SMD 5962–8773901 Electrical Characteristics

DC Parameters

The following conditions apply, unless otherwise specified. +V = 5V, $V_{CM} = 0V$

Symbol	Parameter	Conditions	Notes	Min	Max	Unit	Sub-groups
I_{CC}	Supply Current	+V = 30V, $R_L = \text{Infinity}$			3.0	mA	1, 2, 3
		$R_L = \text{Infinity}$			3.0	mA	1, 2, 3
I_{CEX}	Output Leakage Current	+V = 30V, $-V_I = 0V$, $+V_I \geq 1V$, $V_O = 30V$			0.5	μA	1
					1.0	μA	2, 3
V_{Sat}	Saturation Voltage	$I_{Sink} \leq 4mA$, $-V_I = 1V$, $+V_I = 0V$			400	mV	1
					700	mV	2, 3
I_{Sink}	Output Sink Current	$V_O \geq 1.5V$, $-V_I = 1V$, $+V_I = 0V$		6.0		mA	1
V_{IO}	Input Offset Voltage	$R_S = 0\Omega$		-2.0	2.0	mV	1
				-4.0	4.0	mV	2, 3
		+V = 30V, $R_S = 0\Omega$		-2.0	2.0	mV	1
				-4.0	4.0	mV	2, 3
+V = 30V, $V_{CM} = 28V$, $V_O = 1.4V$, $R_S = 0\Omega$		-2.0	2.0	mV	1		
		-4.0	4.0	mV	2, 3		
$\pm I_{IB}$	Input Bias Current	$V_O = 1.5V$	(Note 5)	-100	-1.0	nA	1
			(Note 5)	-300	-1.0	nA	2, 3
I_{IO}	Input Offset Current	$V_O = 1.5V$		-25	25	nA	1
				-100	100	nA	2, 3
PSRR	Power Supply Rejection Ratio	+V = 5V to 30V		70		dB	1, 2, 3
CMRR	Common Mode Rejection Ratio	+V = 30V, $V_{CM} = 0V$ to 28V, $R_L \geq 15K\Omega$		70		dB	1, 2, 3
A_V	Voltage Gain	+V = 15V, $R_L \geq 15K\Omega$, $V_O = 1V$ to 11V		50		V/mV	4
				25		V/mV	5, 6
V_{CM}	Common Mode Voltage Range	+V = 30V	(Note 8)	0	$V^+ - (2.0)$	V	1, 2, 3
		+V = 5V	(Note 8)	0	$V^+ - (2.0)$	V	1, 2, 3

AC Parameters

The following conditions apply, unless otherwise specified. +V = 5V

Symbol	Parameters	Conditions	Notes	Min	Max	Unit	Sub-groups
t_{RLH}	Response Time	$V_{OD} = 5mV$, $R_L = 5.1K\Omega$			5.0	μS	9
t_{RHL}	Response Time	$V_{OD} = 5mV$, $R_L = 5.1K\Omega$			2.5	μS	9

LM139A 883, QMLV & RH, SMD 5962-9673801 Electrical Characteristics

DC Parameters (Notes 10, 14)

The following conditions apply, unless otherwise specified. +V = 5V, $V_{CM} = 0V$

Symbol	Parameters	Conditions	Notes	Min	Max	Unit	Sub-groups
I_{CC}	Supply Current	$R_L = \text{Infinity}$			2.0	mA	1, 2, 3
		+V = 30V, $R_L = \text{Infinity}$			2.0	mA	1, 2, 3
I_{CEX}	Output Leakage Current	+V = 30V, $V_O = 30V$			1.0	μA	1, 2, 3
V_{Sat}	Saturation Voltage	$I_{Sink} = 4mA$			400	mV	1
					700	mV	2, 3
I_{Sink}	Output Sink Current	$V_O = 1.5V$		6.0		mA	1
V_{IO}	Input Offset Voltage			-2.0	2.0	mV	1
				-4.0	4.0	mV	2, 3
			+V = 30V	-2.0	2.0	mV	1
				-4.0	4.0	mV	2, 3
			+V = 30V, $V_{CM} = 28.5V$, $V_O = 1.5V$	-2.0	2.0	mV	1
			+V = 30V, $V_{CM} = 28.0V$, $V_O = 1.5V$	-4.0	4.0	mV	2, 3
$\pm I_{Bias}$	Input Bias Current	$V_O = 1.5V$	(Note 5)	-100	-1.0	nA	1
			(Note 5)	-300	-1.0	nA	2, 3
I_{IO}	Input Offset Current	$V_O = 1.5V$		-25	25	nA	1
				-100	100	nA	2, 3
PSRR	Power Supply Rejection Ratio	+V = 5V to 30V		60		dB	1
CMRR	Common Mode Rejection Ratio	+V = 30V, $V_{CM} = 0V$ to 28.5V		60		dB	1
A_V	Voltage Gain	+V = 15V, $R_L \geq 15K\Omega$, $V_O = 1V$ to 11V		50		V/mV	1
V_{CM}	Common Mode Voltage Range	+V = 30V	(Notes 6, 8)	0	$V^+ - (1.5)$	V	1
			(Notes 6, 8)	0	$V^+ - (2.0)$	V	2, 3
V_{Diff}	Differential Input Voltage	+V = 30V, -V = 0V, + $V_I = 36V$, - $V_I = 0V$	(Note 9)		500	nA	1, 2, 3
		+V = 30V, -V = 0V, + $V_I = 0V$, - $V_I = 36V$	(Note 9)		500	nA	1, 2, 3

AC Parameters (Notes 10, 14)

The following conditions apply, unless otherwise specified. +V = 5V

Symbol	Parameters	Conditions	Notes	Min	Max	Unit	Sub-groups
t_{RLH}	Response Time	$V_{OD} = 5mV$			5.0	μS	4
		$V_{OD} = 50mV$			0.8	μS	4
t_{RHL}	Response Time	$V_{OD} = 5mV$			2.5	μS	4
		$V_{OD} = 50mV$			0.8	μS	4

DC Parameters Delta Values

The following conditions apply, unless otherwise specified. +V = 5V, $V_{CM} = 0V$

Deltas required for S-Level, MLS (as specified on Internal Processing instructions (IPI)), and QMLV product at Group B, Subgroup 5.

Symbol	Parameters	Conditions	Notes	Min	Max	Unit	Sub-groups
V_{IO}	Input Offset Voltage			-1.0	1.0	mV	1
$\pm I_{Bias}$	Input Bias Current	$V_O = 1.5V$	(Note 5)	-15	15	nA	1
I_{IO}	Input Offset Current	$V_O = 1.5V$		-10	+10	nA	1

DC/AC Parameters 50K Post Rad Limits +25°C (Note 10)

The following conditions apply, unless otherwise specified.

DC: +V = 5V, $V_{CM} = 0V$

AC: +V = 5V

Symbol	Parameters	Conditions	Notes	Min	Max	Unit	Sub-groups
V_{IO}	Input Offset Voltage	+V = 5V, $V_{CM} = 0$		-2.5	2.5	mV	1
		+V = 30V, $V_{CM} = 0$		-2.5	2.5	mV	1
		+V = 30V, $V_{CM} = 28.5V$, $V_O = 1.5V$		-2.5	2.5	mV	1
$\pm I_{Bias}$	Input Bias Current	$V_O = 1.5V$	(Note 5)	-110	-1.0	nA	1
t_{RLH}	Response Time	$V_{OD} \text{ (Overdrive)} = 50mV$			0.9	μS	4

DC/AC Parameters 100K Post Rad Limits +25°C (Notes 10, 14)

The following conditions apply, unless otherwise specified.

DC: +V = 5V, $V_{CM} = 0V$

AC: +V = 5V

Symbol	Parameters	Conditions	Notes	Min	Max	Unit	Sub-groups
V_{IO}	Input Offset Voltage	+V = 5V, $V_{CM} = 0$		-4.0	4.0	mV	1
		+V = 30V, $V_{CM} = 0$		-4.0	4.0	mV	1
		+V = 30V, $V_{CM} = 28.5V$, $V_O = 1.5V$		-4.0	4.0	mV	1
$\pm I_{Bias}$	Input Bias Current	$V_O = 1.5V$	(Note 5)	-110	-1.0	nA	1
t_{RLH}	Response Time	$V_{OD} \text{ (Overdrive)} = 50mV$			1.0	μS	4

Note 1: Absolute Maximum Ratings indicate limits beyond which damage to the device may occur. Operating Ratings indicate conditions for which the device is functional, but do not guarantee specific performance limits. For guaranteed specifications and test conditions, see, the Electrical Characteristics. The guaranteed specifications apply only for the test conditions listed. Some performance characteristics may degrade when the device is not operated under the listed test conditions.

Note 2: Short circuits from the output to V^+ can cause excessive heating and eventual destruction. When considering short circuits to ground, the maximum output current is approximately 20 mA independent of the magnitude of V^+ .

Note 3: This input current will only exist when the voltage at any of the input leads is driven negative. It is due to the collector-base junction of the input PNP transistors becoming forward biased and thereby acting as input diode clamps. In addition to this diode action, there is also lateral NPN parasitic transistor action on the IC chip. This transistor action can cause the output voltages of the comparators to go to the V^+ voltage level (or to ground for a large overdrive) for the time duration that an input is driven negative. This is not destructive and normal output states will re-establish when the input voltage, which was negative, again returns to a value greater than $-0.3 V_{DC}$ (at 25°C).

Note 4: The low bias dissipation and the ON-OFF characteristics of the outputs keeps the chip dissipation very small ($P_D \leq 100\text{mW}$), provided the output transistors are allowed to saturate.

Note 5: The direction of the input current is out of the IC due to the PNP input stage. This current is essentially constant, independent of the state of the output so no loading change exists on the reference or input lines.

Note 6: The input common-mode voltage or either input signal voltage should not be allowed to go negative by more than 0.3V. The upper end of the common-mode voltage range is $V^+ - 1.5\text{V}$ for Subgroup 1, or $V^+ - 2.0\text{V}$ for Subgroup 2 & 3. Either or both inputs can go to $+30 V_{DC}$ without damage, independent of the magnitude of V^+ .

Note 7: Positive excursions of input voltage may exceed the power supply level. As long as the other voltage remains within the common-mode range, the comparator will provide a proper output state. The low input voltage state must not be less than $-0.3 V_{DC}$ (or $0.3 V_{DC}$ below the magnitude of the negative power supply, if used) (at 25°C).

Note 8: Parameter guaranteed by V_{IO} tests

Note 9: The value for V_{Diff} is not data logged during Read and Record.

Note 10: Pre and post irradiation limits are identical to those listed under AC and DC electrical characteristics except as listed in the "Post Radiation Limits" table. These parts may be dose rate sensitive in a space environment and demonstrate enhanced low dose rate effect. Radiation end point limits for the noted parameters are guaranteed only for the conditions as specified in Mil-Std-883, Method 1019, Condition A.

Note 11: SMD 5962-8773901 only

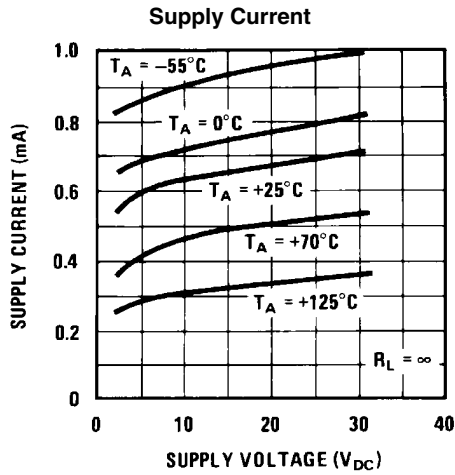
Note 12: Human Body model, 1.5 K Ω in series with 100 pF

Note 13: The maximum power dissipation must be derated at elevated temperatures and is dictated by T_{Jmax} (maximum junction temperature), θ_{JA} (Package junction to ambient thermal resistance), and T_A (ambient temperature). The maximum allowable power dissipation at any temperature is $P_{Dmax} = (T_{Jmax} - T_A) / \theta_{JA}$ or the number given in the Absolute Maximum Ratings, whichever is lower.

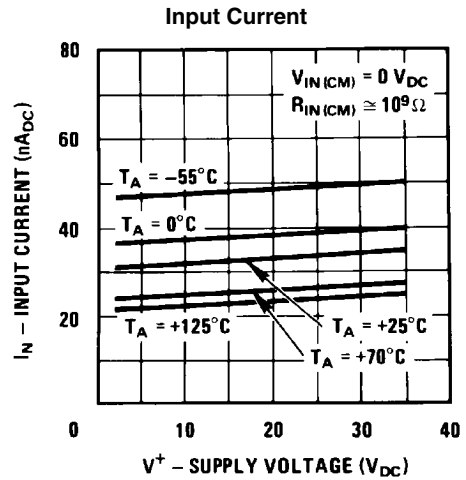
Note 14: Low dose rate testing has been performed on a wafer-by-wafer basis, per test method 1019, condition D, MIL-STD-883, with no enhanced low dose rate sensitivity (ELDRS) effect. Pre and post irradiation limits are identical to those listed under AC and DC electrical characteristics, except as listed in the "Post Radiation Limits" table. Radiation end point limits for the noted parameters are guaranteed for only the conditions as specified in MIL-STD-883, Method 1019, condition D.

Typical Performance Characteristics LM139, LM139A

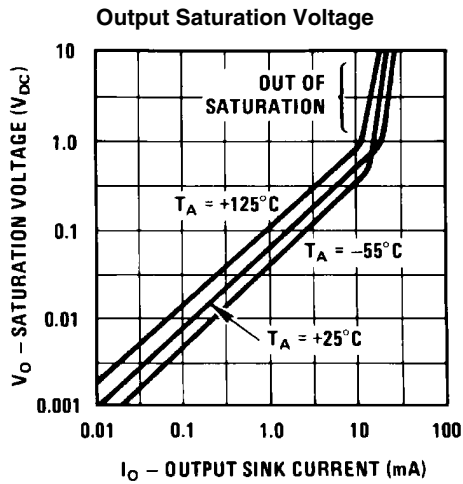
LM139A/LM139QML



20122134

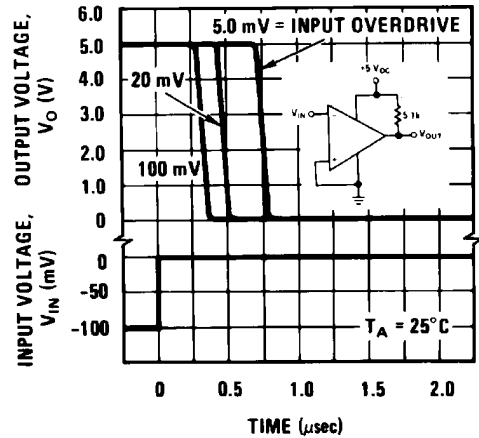


20122135



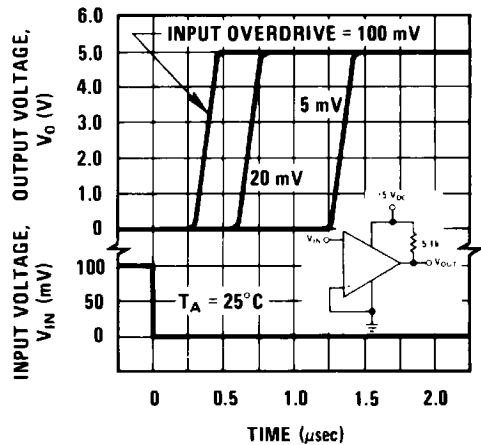
20122136

Response Time for Various Input Overdrives — Negative Transition



20122137

Response Time for Various Input Overdrives — Positive Transition



20122138

Application Hints

The LM139 series are high gain, wide bandwidth devices which, like most comparators, can easily oscillate if the output lead is inadvertently allowed to capacitively couple to the inputs via stray capacitance. This shows up only during the output voltage transition intervals as the comparator changes states. Power supply bypassing is not required to solve this problem. Standard PC board layout is helpful as it reduces stray input-output coupling. Reducing this input resistors to < 10 kΩ reduces the feedback signal levels and finally, adding even a small amount (1 to 10 mV) of positive feedback (hysteresis) causes such a rapid transition that oscillations due to stray feedback are not possible. Simply socketing the IC and attaching resistors to the pins will cause input-output oscillations during the small transition intervals unless hysteresis is used. If the input signal is a pulse waveform, with relatively fast rise and fall times, hysteresis is not required.

All pins of any unused comparators should be tied to the negative supply.

The bias network of the LM139 series establishes a drain current which is independent of the magnitude of the power supply voltage over the range of from 2 V_{DC} to 30 V_{DC}.

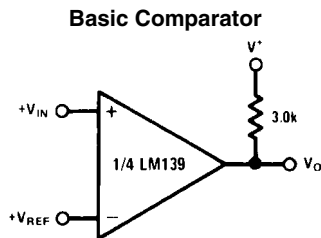
It is usually unnecessary to use a bypass capacitor across the power supply line.

The differential input voltage may be larger than V⁺ without damaging the device. Protection should be provided to prevent the input voltages from going negative more than -0.3 V_{DC} (at 25°C). An input clamp diode can be used as shown in the applications section.

The output of the LM139 series is the uncommitted collector of a grounded-emitter NPN output transistor. Many collectors can be tied together to provide an output OR'ing function. An output pull-up resistor can be connected to any available power supply voltage within the permitted supply voltage range and there is no restriction on this voltage due to the magnitude of the voltage which is applied to the V⁺ terminal of the LM139A package. The output can also be used as a simple SPST switch to ground (when a pull-up resistor is not used). The amount of current which the output device can sink is limited by the drive available (which is independent of V⁺) and the β of this device. When the maximum current limit is reached (approximately 16 mA), the output transistor will come out of saturation and the output voltage will rise very rapidly. The output saturation voltage is limited by the approximately 60Ω R_{SAT} of the output transistor. The low offset voltage of the output transistor (1 mV) allows the output to clamp essentially to ground level for small load currents.

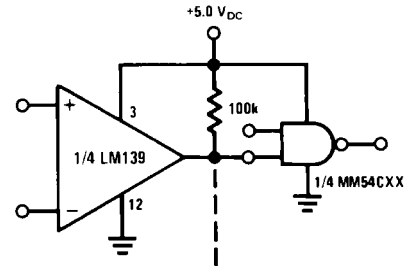
Typical Applications

(V⁺ = 5.0 V_{DC})



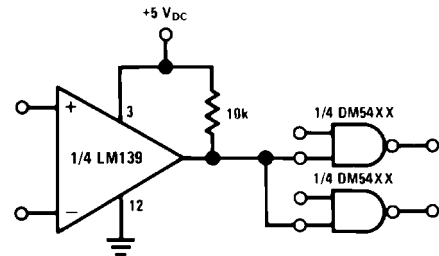
20122103

Driving CMOS



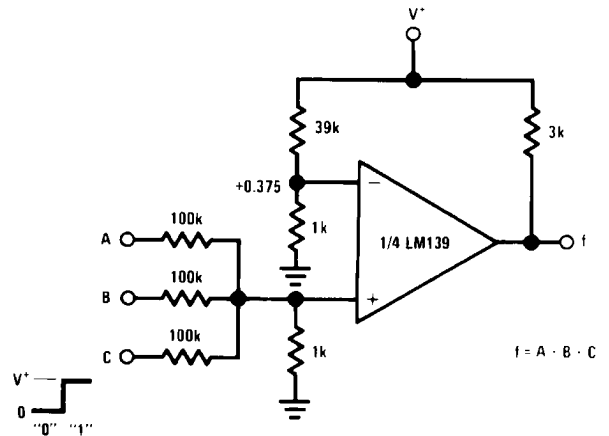
20122104

Driving TTL



20122105

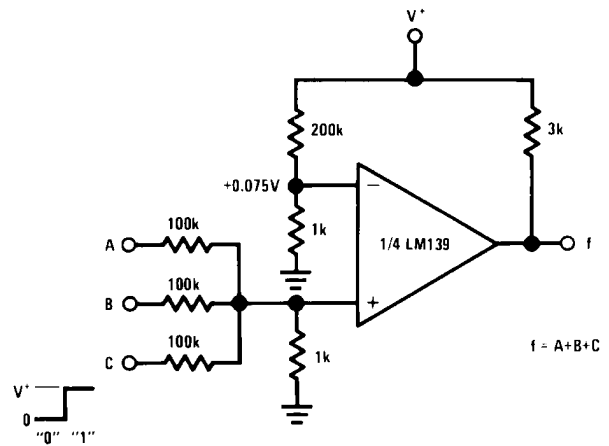
AND Gate



$f = A \cdot B \cdot C$

20122108

OR Gate



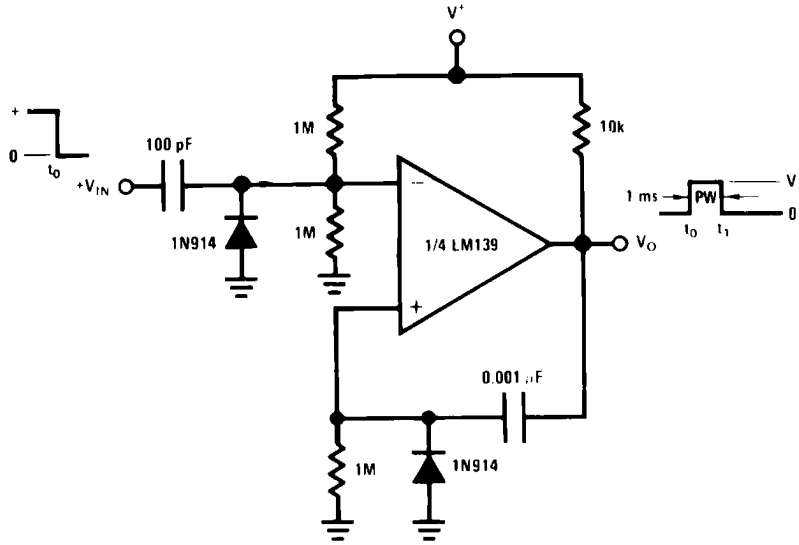
$f = A + B + C$

20122109

Typical Applications

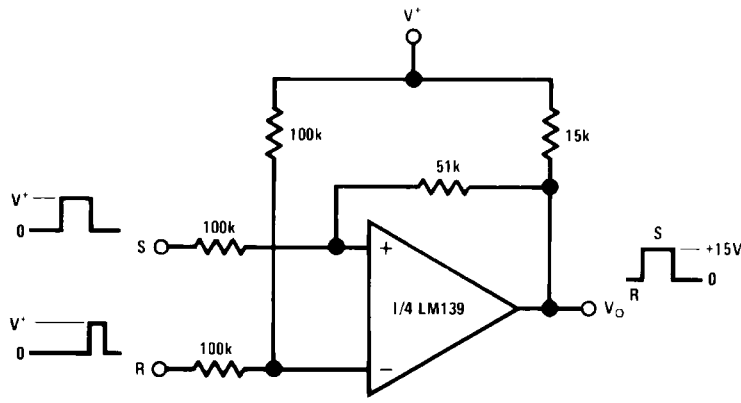
($V^+ = 15 V_{DC}$)

One-Shot Multivibrator



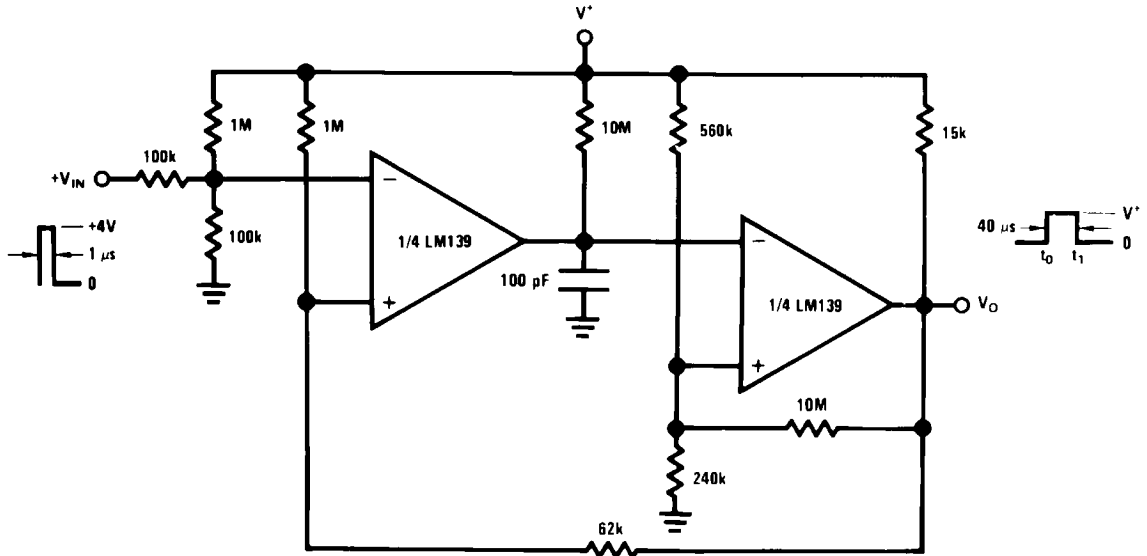
20122110

Bi-Stable Multivibrator



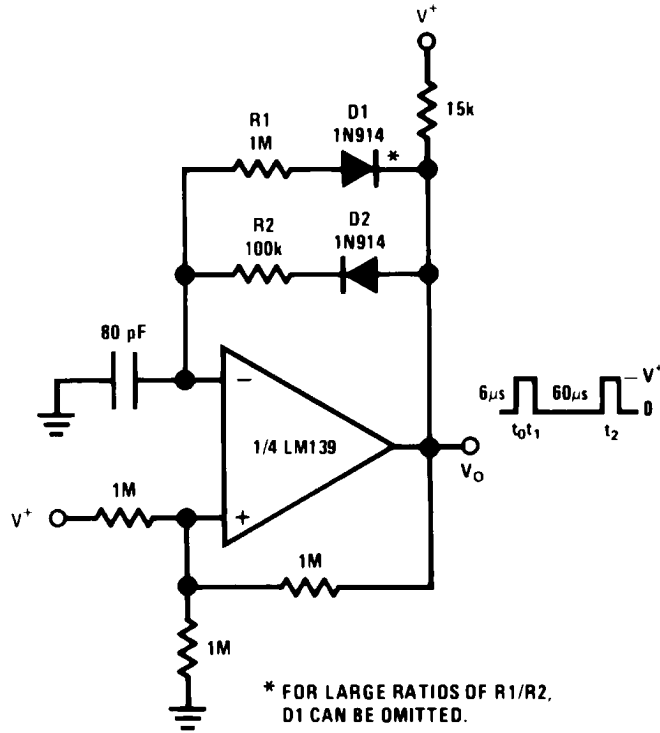
20122111

One-Shot Multivibrator with Input Lock Out



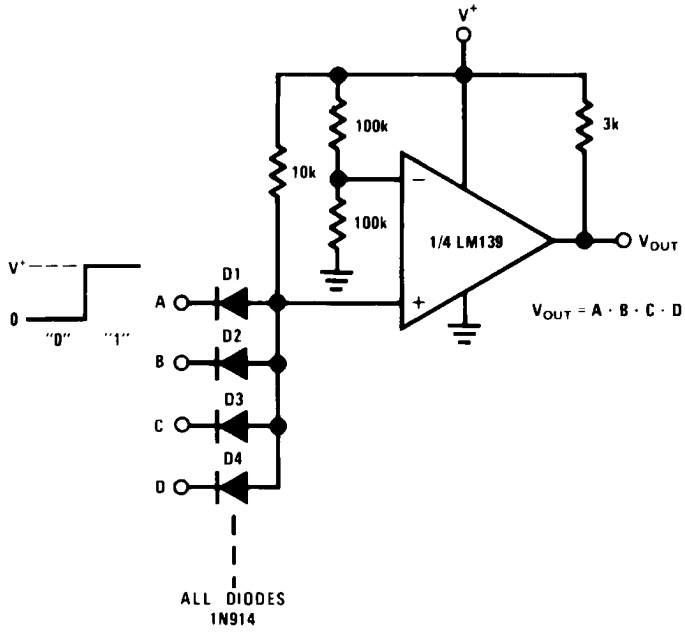
20122112

Pulse Generator



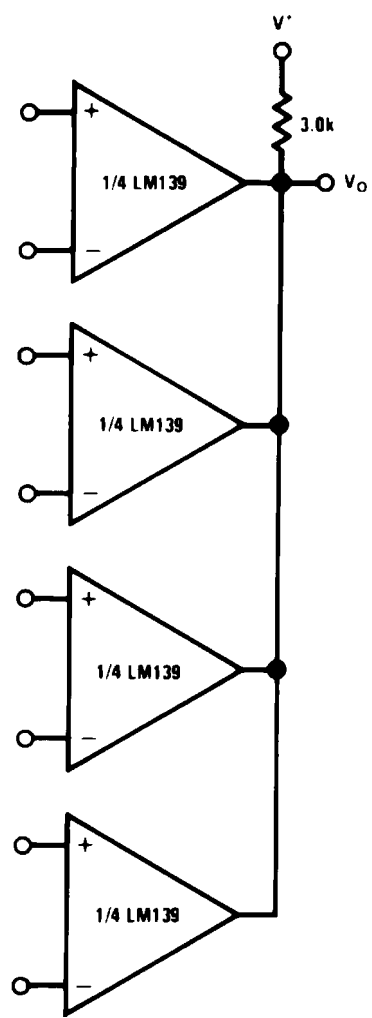
20122117

Large Fan-In AND Gate



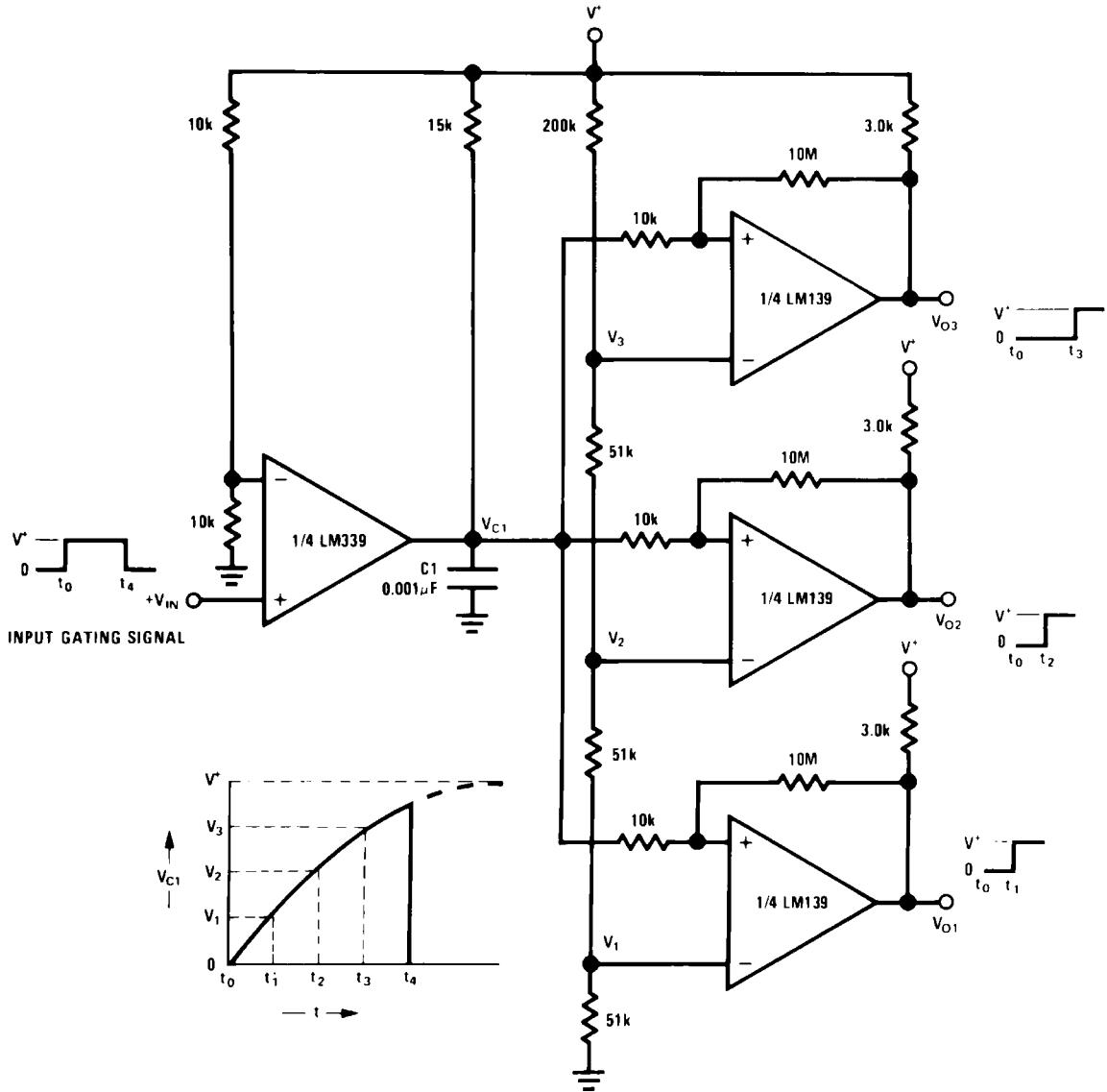
20122113

ORing the Outputs



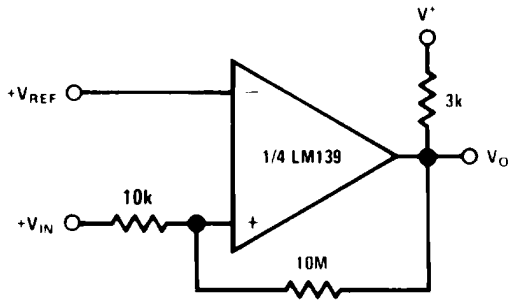
20122115

Time Delay Generator



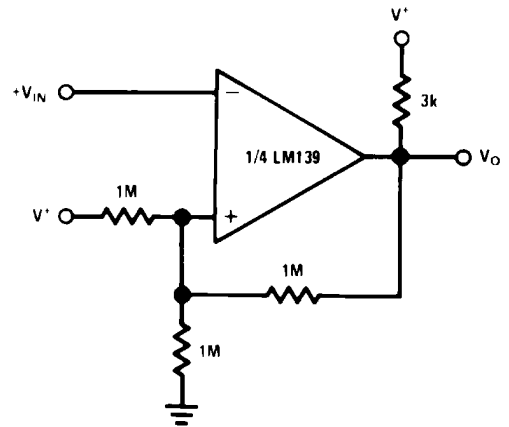
20122114

Non-Inverting Comparator with Hysteresis



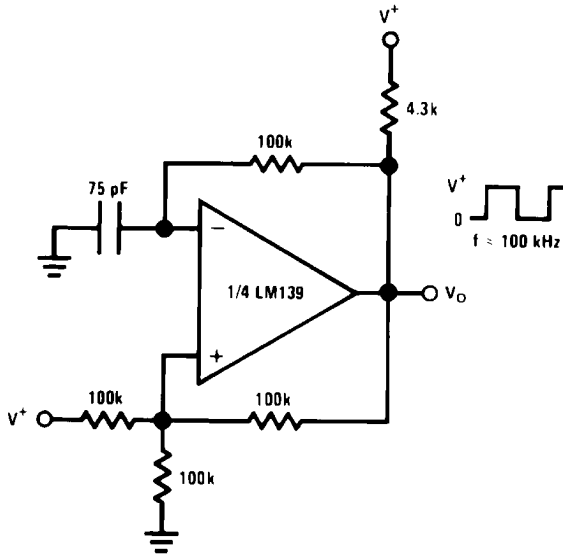
20122118

Inverting Comparator with Hysteresis



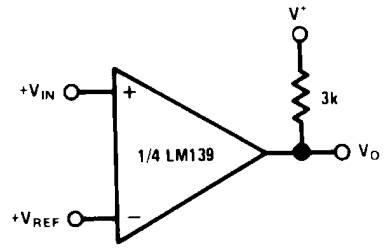
20122119

Squarewave Oscillator



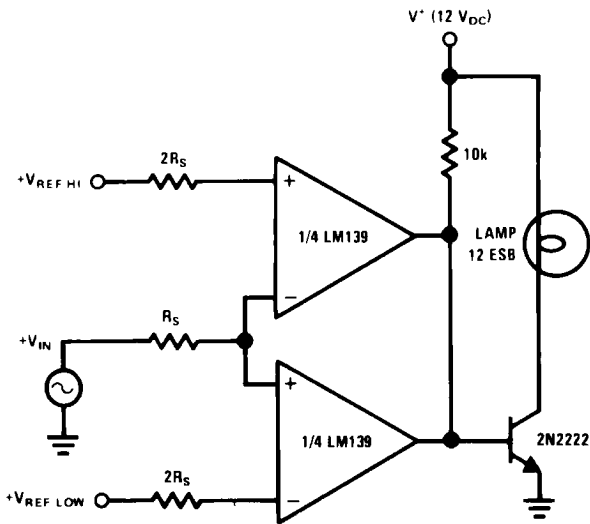
20122116

Basic Comparator



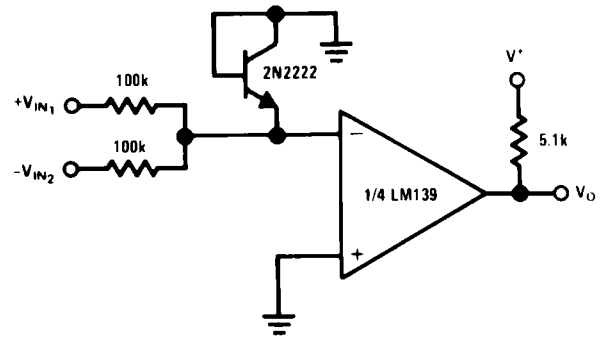
20122121

Limit Comparator



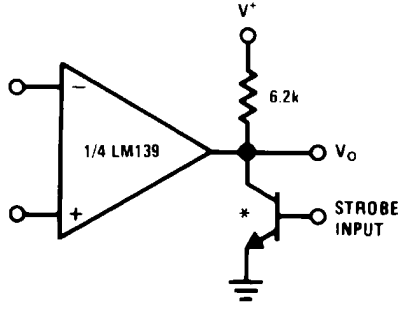
20122124

Comparing Input Voltages of Opposite Polarity



20122120

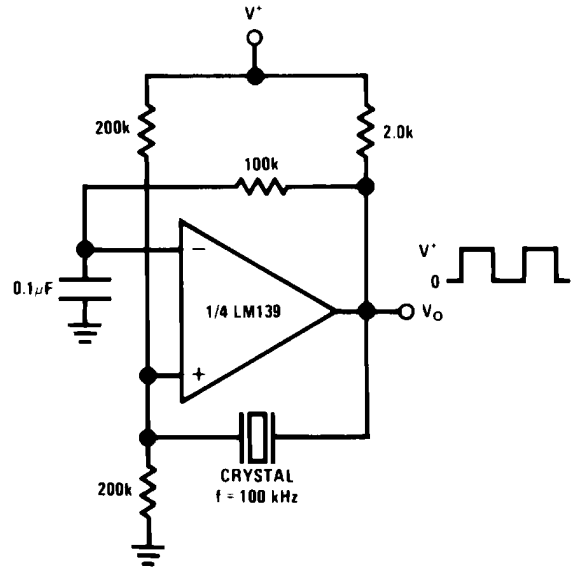
Output Strobing



20122122

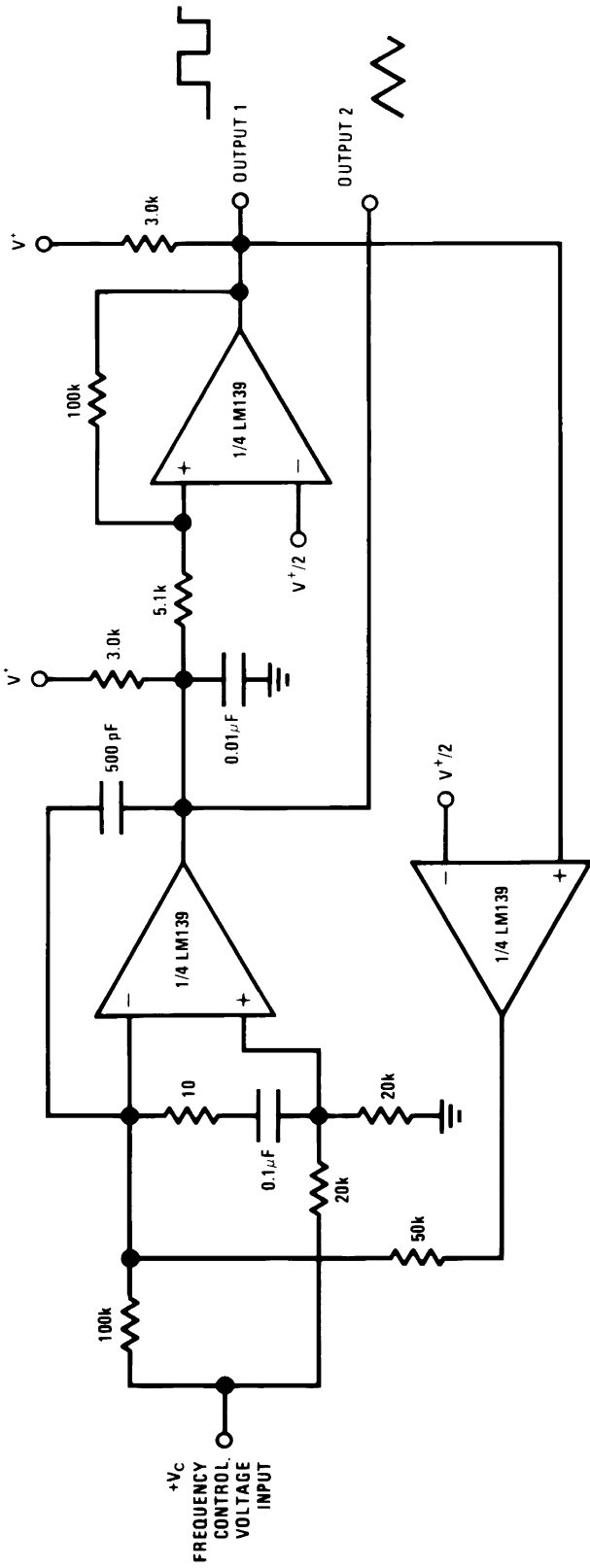
* Or open-collector logic gate without pull-up resistor

Crystal Controlled Oscillator



20122125

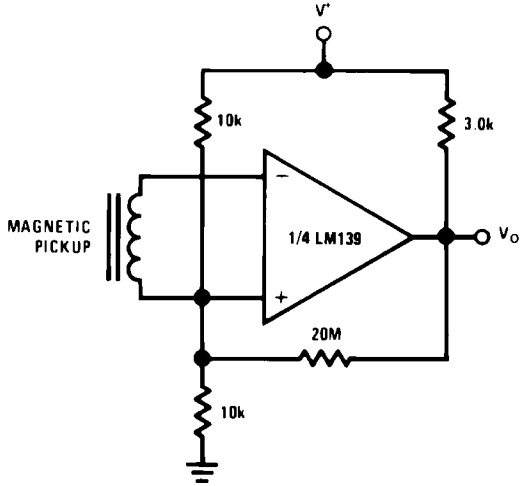
Two-Decade High-Frequency VCO



$V^+ = +30 V_{DC}$
 $250 mV_{DC} \leq V_C \leq +50 V_{DC}$
 $700 Hz \leq f_o \leq 100 kHz$

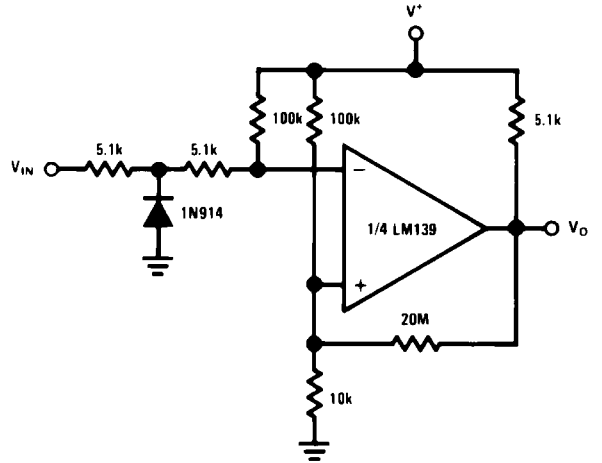
20122123

Transducer Amplifier



20122128

Zero Crossing Detector (Single Power Supply)

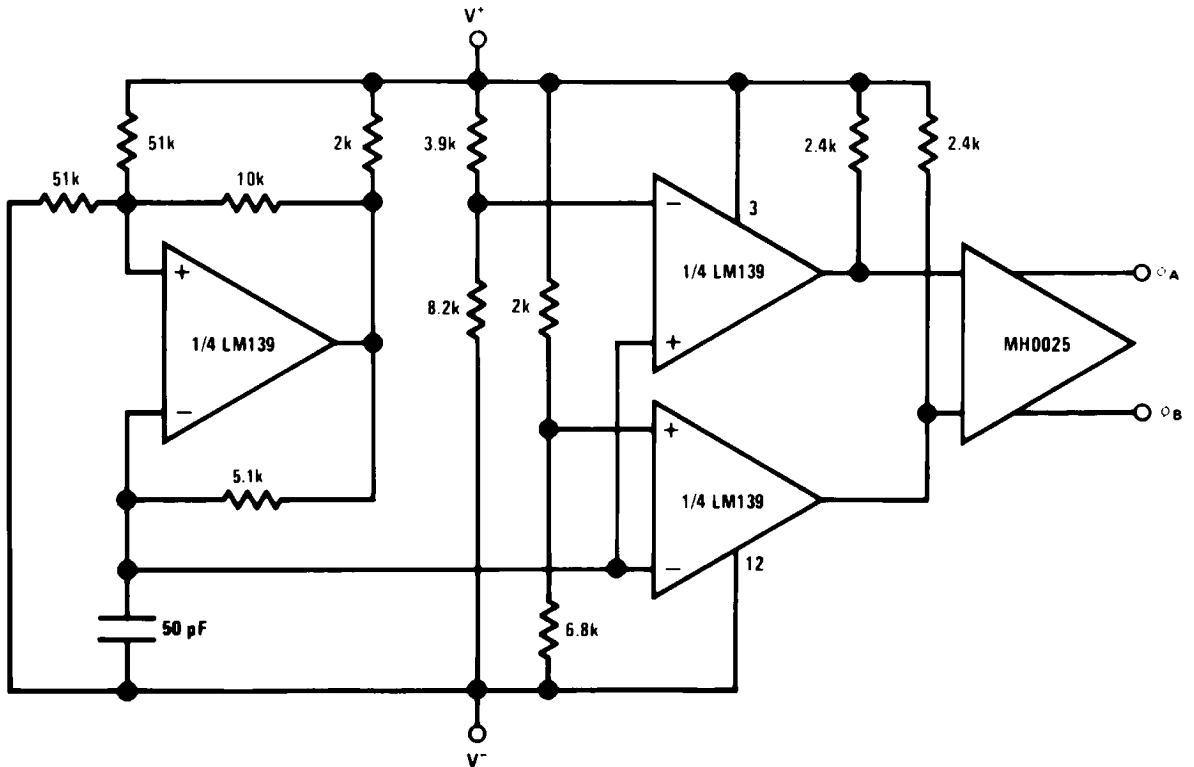


20122130

Split-Supply Applications

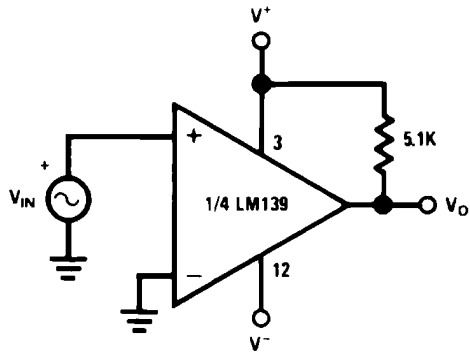
($V^+ = +15 V_{DC}$ and $V^- = -15 V_{DC}$)

MOS Clock Driver



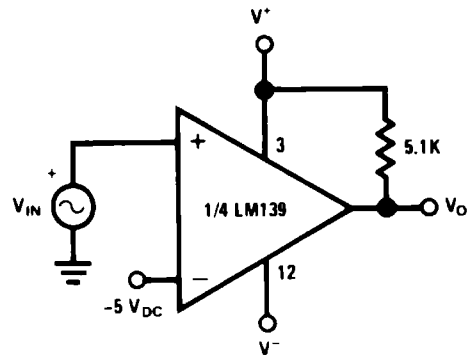
20122131

Zero Crossing Detector



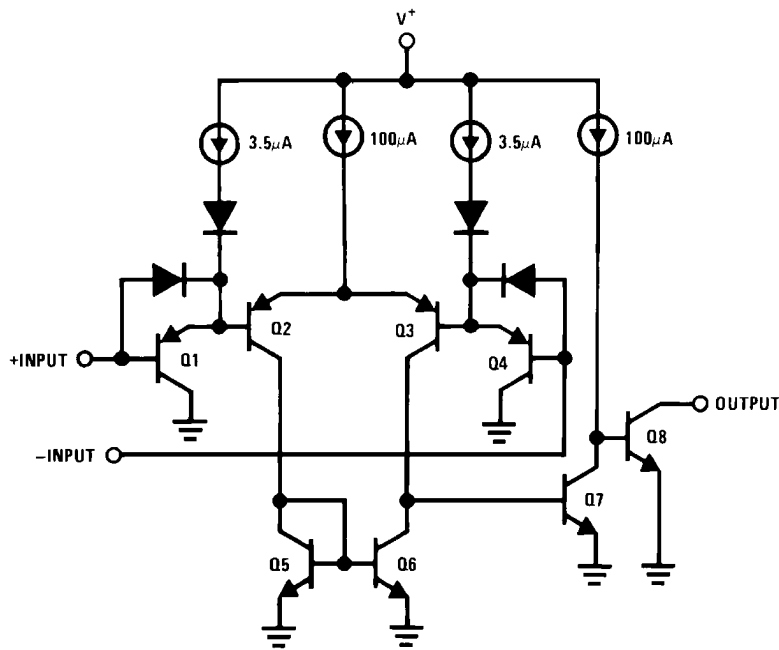
20122132

Comparator With a Negative Reference



20122133

Schematic Diagram

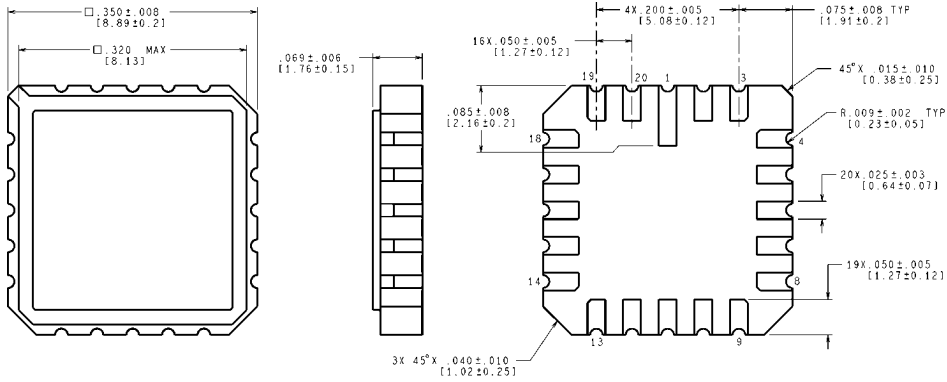


20122101

Revision History

Date Released	Revision	Section	Originator	Changes
02/08/05	A	New Release to corporate format	L. Lytle	3 MDS datasheets converted into one Corp. datasheet format. MNLM139A-X-RH rev 4B0, MDLM139A-X rev 0C1, MNLM139-X rev 1A1. MDS datasheets will be archived.
06/28/06	B	Features, Ordering Information Table, Rad Hard Electrical Section and Notes	R. Malone	Added Available with Radiation Guarantee, Low Dose NSID's to table 5962R9673802VCA LM139AJRLQMLV, 5962R9673802VDA LM139AWRLQMLV, 5962R9673802VXA LM139AWGRLQMLV, and reference to Note 11 and 16. Note 16 to Rad Hard Electrical Heading. Note 16 to Notes. Archive Revision A.
02/13/08	C	Features, Ordering Table, LM139A 883, QMLV & RH, SMD 5962-9673801 Electrical Characteristics, Notes	Larry McGee	Added TID & Eldrs reference, Note 11 - Condition A. Changed VCM parameter - pg 8, Title from Drift Values to Delta Values - pg 9 & Note 16. Revision B will be Archive .

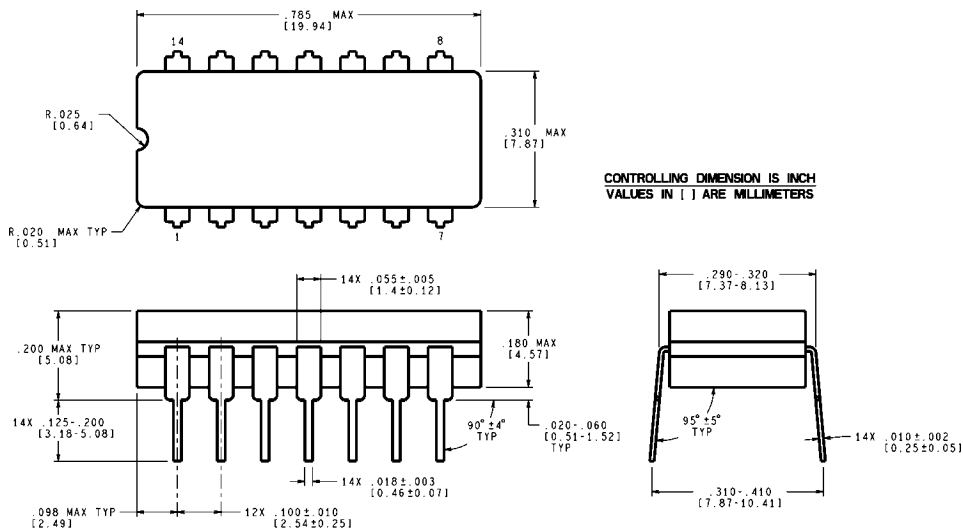
Physical Dimensions inches (millimeters) unless otherwise noted



CONTROLLING DIMENSION IS INCH
VALUES IN [] ARE MILLIMETERS

**Leadless Chip Carrier (E)
NS Package Number E20A**

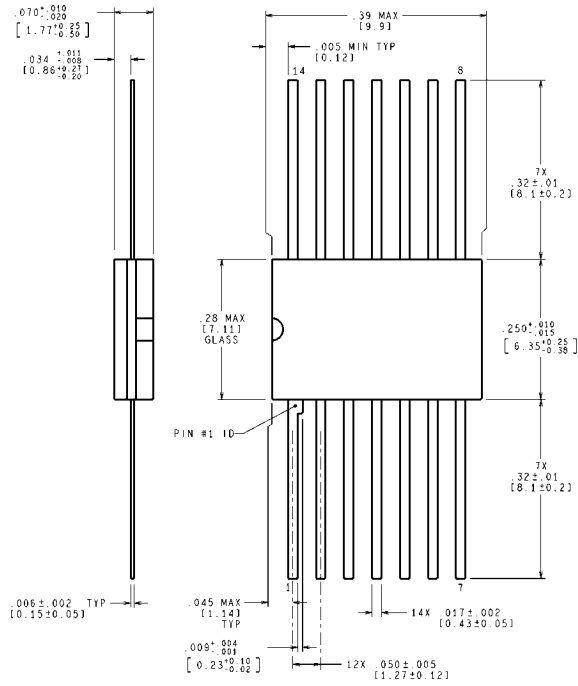
E20A (Rev F)



CONTROLLING DIMENSION IS INCH
VALUES IN [] ARE MILLIMETERS

**Ceramic Dual-In-Line Package (J)
NS Package Number J14A**

J14A (Rev J)



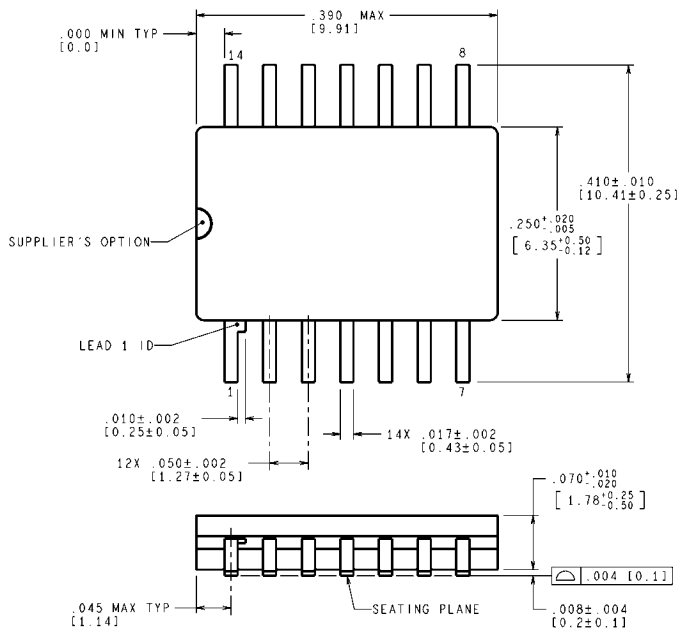
MIL-PRF-38535
CONFIGURATION CONTROL

MIL-STD-1835B
CONFIGURATION CONTROL

CONTROLLING DIMENSION IS INCH
VALUES IN [] ARE MILLIMETERS

W14B (Rev P)

**Ceramic Flat Package (W)
NS Package Number W14B**

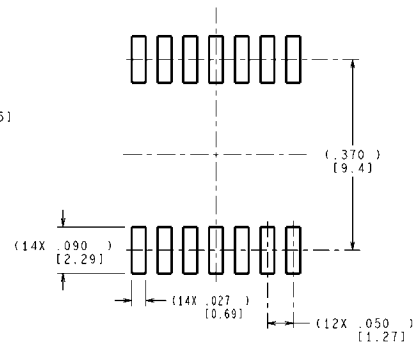


MIL-PRF-38535
CONFIGURATION CONTROL

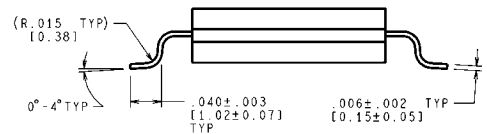
CONTROLLING DIMENSION IS INCH
VALUES IN [] ARE MILLIMETERS
DIMENSIONS IN () FOR REFERENCE ONLY

WG14A (Rev D)

**Ceramic SOIC (WG)
NS Package Number WG14A**



RECOMMENDED LAND PATTERN



Notes

Notes

For more National Semiconductor product information and proven design tools, visit the following Web sites at:

Products		Design Support	
Amplifiers	www.national.com/amplifiers	WEBENCH	www.national.com/webench
Audio	www.national.com/audio	Analog University	www.national.com/AU
Clock Conditioners	www.national.com/timing	App Notes	www.national.com/appnotes
Data Converters	www.national.com/adc	Distributors	www.national.com/contacts
Displays	www.national.com/displays	Green Compliance	www.national.com/quality/green
Ethernet	www.national.com/ethernet	Packaging	www.national.com/packaging
Interface	www.national.com/interface	Quality and Reliability	www.national.com/quality
LVDS	www.national.com/lvds	Reference Designs	www.national.com/refdesigns
Power Management	www.national.com/power	Feedback	www.national.com/feedback
Switching Regulators	www.national.com/switchers		
LDOs	www.national.com/lido		
LED Lighting	www.national.com/led		
PowerWise	www.national.com/powerwise		
Serial Digital Interface (SDI)	www.national.com/sdi		
Temperature Sensors	www.national.com/tempsensors		
Wireless (PLL/VCO)	www.national.com/wireless		

THE CONTENTS OF THIS DOCUMENT ARE PROVIDED IN CONNECTION WITH NATIONAL SEMICONDUCTOR CORPORATION ("NATIONAL") PRODUCTS. NATIONAL MAKES NO REPRESENTATIONS OR WARRANTIES WITH RESPECT TO THE ACCURACY OR COMPLETENESS OF THE CONTENTS OF THIS PUBLICATION AND RESERVES THE RIGHT TO MAKE CHANGES TO SPECIFICATIONS AND PRODUCT DESCRIPTIONS AT ANY TIME WITHOUT NOTICE. NO LICENSE, WHETHER EXPRESS, IMPLIED, ARISING BY ESTOPPEL OR OTHERWISE, TO ANY INTELLECTUAL PROPERTY RIGHTS IS GRANTED BY THIS DOCUMENT.

TESTING AND OTHER QUALITY CONTROLS ARE USED TO THE EXTENT NATIONAL DEEMS NECESSARY TO SUPPORT NATIONAL'S PRODUCT WARRANTY. EXCEPT WHERE MANDATED BY GOVERNMENT REQUIREMENTS, TESTING OF ALL PARAMETERS OF EACH PRODUCT IS NOT NECESSARILY PERFORMED. NATIONAL ASSUMES NO LIABILITY FOR APPLICATIONS ASSISTANCE OR BUYER PRODUCT DESIGN. BUYERS ARE RESPONSIBLE FOR THEIR PRODUCTS AND APPLICATIONS USING NATIONAL COMPONENTS. PRIOR TO USING OR DISTRIBUTING ANY PRODUCTS THAT INCLUDE NATIONAL COMPONENTS, BUYERS SHOULD PROVIDE ADEQUATE DESIGN, TESTING AND OPERATING SAFEGUARDS.

EXCEPT AS PROVIDED IN NATIONAL'S TERMS AND CONDITIONS OF SALE FOR SUCH PRODUCTS, NATIONAL ASSUMES NO LIABILITY WHATSOEVER, AND NATIONAL DISCLAIMS ANY EXPRESS OR IMPLIED WARRANTY RELATING TO THE SALE AND/OR USE OF NATIONAL PRODUCTS INCLUDING LIABILITY OR WARRANTIES RELATING TO FITNESS FOR A PARTICULAR PURPOSE, MERCHANTABILITY, OR INFRINGEMENT OF ANY PATENT, COPYRIGHT OR OTHER INTELLECTUAL PROPERTY RIGHT.

LIFE SUPPORT POLICY

NATIONAL'S PRODUCTS ARE NOT AUTHORIZED FOR USE AS CRITICAL COMPONENTS IN LIFE SUPPORT DEVICES OR SYSTEMS WITHOUT THE EXPRESS PRIOR WRITTEN APPROVAL OF THE CHIEF EXECUTIVE OFFICER AND GENERAL COUNSEL OF NATIONAL SEMICONDUCTOR CORPORATION. As used herein:

Life support devices or systems are devices which (a) are intended for surgical implant into the body, or (b) support or sustain life and whose failure to perform when properly used in accordance with instructions for use provided in the labeling can be reasonably expected to result in a significant injury to the user. A critical component is any component in a life support device or system whose failure to perform can be reasonably expected to cause the failure of the life support device or system or to affect its safety or effectiveness.

National Semiconductor and the National Semiconductor logo are registered trademarks of National Semiconductor Corporation. All other brand or product names may be trademarks or registered trademarks of their respective holders.

Copyright© 2008 National Semiconductor Corporation

For the most current product information visit us at www.national.com



**National Semiconductor
Americas Technical
Support Center**
Email:
new.feedback@nsc.com
Tel: 1-800-272-9959

**National Semiconductor Europe
Technical Support Center**
Email: europe.support@nsc.com
German Tel: +49 (0) 180 5010 771
English Tel: +44 (0) 870 850 4288

**National Semiconductor Asia
Pacific Technical Support Center**
Email: ap.support@nsc.com

**National Semiconductor Japan
Technical Support Center**
Email: jpn.feedback@nsc.com