

100341 Low Power 8-Bit Shift Register

General Description

The 100341 contains eight edge-triggered, D-type flip-flops with individual inputs (P_n) and outputs (Q_n) for parallel operation, and with serial inputs (D_n) and steering logic for bidirectional shifting. The flip-flops accept input data a setup time before the positive-going transition of the clock pulse and their outputs respond a propagation delay after this rising clock edge.

The circuit operating mode is determined by the Select inputs S_0 and S_1 , which are internally decoded to select either

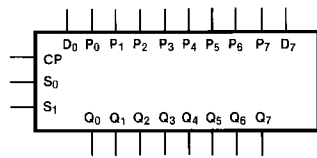
"parallel entry", "hold", "shift left" or "shift right" as described in the Truth Table. All inputs have 50 k Ω pull-down resistors.

Features

- 35% power reduction of the 100141
- 2000V ESD protection
- Pin/function compatible with 100141
- Voltage compensated operating range = -4.2V to -5.7V
- Available to industrial grade temperature range

Ordering Code:

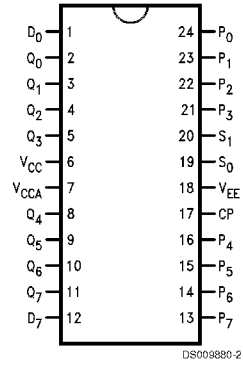
Logic Symbol



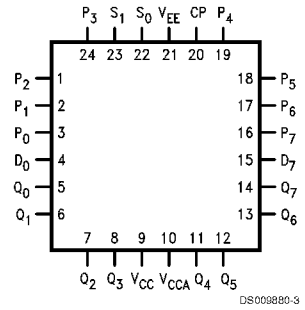
Pin Names	Description
CP	Clock Input
S_0, S_1	Select Inputs
D_0, D_7	Serial Inputs
P_0-P_7	Parallel Inputs
Q_0-Q_7	Data Outputs

Connection Diagrams

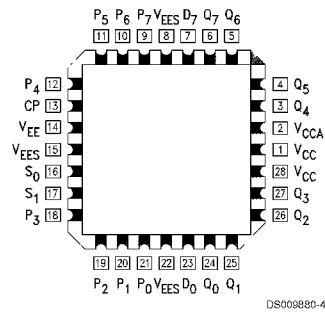
24-Pin DIP/SOIC



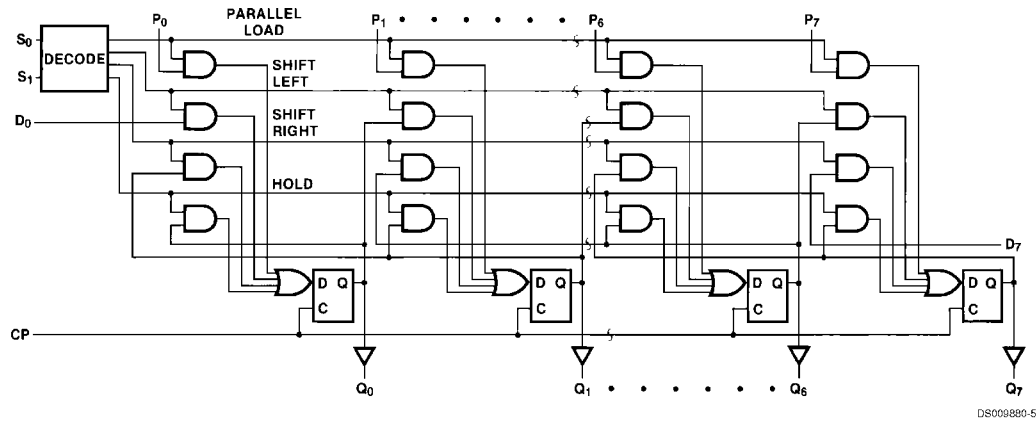
24-Pin Quad Cerpak



28-Pin PCC



Logic Diagram



DS009880-5

Truth Table

Function	Inputs					Outputs							
	D ₇	D ₀	S ₁	S ₀	CP	Q ₇	Q ₆	Q ₅	Q ₄	Q ₃	Q ₂	Q ₁	Q ₀
Load Register	X	X	L	L	↗	P ₇	P ₆	P ₅	P ₄	P ₃	P ₂	P ₁	P ₀
Shift Left	X	L	L	H	↗	Q ₆	Q ₅	Q ₄	Q ₃	Q ₂	Q ₁	Q ₀	L
Shift Left	X	H	L	H	↗	Q ₆	Q ₅	Q ₄	Q ₃	Q ₂	Q ₁	Q ₀	H
Shift Right	L	X	H	L	↗	L	Q ₇	Q ₆	Q ₅	Q ₄	Q ₃	Q ₂	Q ₁
Shift Right	H	X	H	L	↗	H	Q ₇	Q ₆	Q ₅	Q ₄	Q ₃	Q ₂	Q ₁
Hold	X	X	H	H	X	No Change							
Hold	X	X	X	X	H								
Hold	X	X	X	X	L								

H = HIGH Voltage Level
 L = LOW Voltage Level
 X = Don't Care
 ↗ = LOW-to-HIGH Transition

Absolute Maximum Ratings (Note 1)

Above which the useful life may be impaired

Storage Temperature (T_{STG})	-65°C to +150°C
Maximum Junction Temperature (T_J)	
Ceramic	+175°C
Plastic	+150°C
V_{EE} Pin Potential to Ground Pin	-7.0V to +0.5V
Input Voltage (DC)	V_{EE} to +0.5V
Output Current (DC Output HIGH)	-50 mA
ESD (Note 2)	≥2000V

Recommended Operating Conditions

Case Temperature (T_C)	
Commercial	0°C to +85°C
Industrial	-40°C to +85°C
Military	-55°C to +125°C
Supply Voltage (V_{EE})	-5.7V to -4.2V

Note 1: Absolute maximum ratings are those values beyond which the device may be damaged or have its useful life impaired. Functional operation under these conditions is not implied.

Note 2: ESD testing conforms to MIL-STD-883, Method 3015.

Commercial Version

DC Electrical Characteristics (Note 3)

$V_{EE} = -4.2V$ to $-5.7V$, $V_{CC} = V_{CCA} = GND$, $T_C = 0^\circ C$ to $+85^\circ C$

Symbol	Parameter	Min	Typ	Max	Units	Conditions	
V_{OH}	Output HIGH Voltage	-1025	-955	-870	mV	$V_{IN} = V_{IH}$ (Max) or V_{IL} (Min)	Loading with 50Ω to -2.0V
V_{OL}	Output LOW Voltage	-1830	-1705	-1620	mV		
V_{OHC}	Output HIGH Voltage	-1035			mV	$V_{IN} = V_{IH}$ (Min) or V_{IL} (Max)	Loading with 50Ω to -2.0V
V_{OLC}	Output LOW Voltage			-1610	mV		
V_{IH}	Input HIGH Voltage	-1165		-870	mV	Guaranteed HIGH Signal for all Inputs	
V_{IL}	Input LOW Voltage	-1830		-1475	mV	Guaranteed LOW Signal for all Inputs	
I_{IL}	Input LOW Current	0.50			μA	$V_{IN} = V_{IL}$ (Min)	
I_{IH}	Input HIGH Current			240	μA	$V_{IN} = V_{IH}$ (Max)	
I_{EE}	Power Supply Current					Inputs Open	
		-157		-75	mA	$V_{EE} = -4.2V$ to $-4.8V$	
		-167		-75	mA	$V_{EE} = -4.2V$ to $-5.7V$	

Note 3: The specified limits represent the "worst case" value for the parameter. Since these values normally occur at the temperature extremes, additional noise immunity and guardbanding can be achieved by decreasing the allowable system operating ranges. Conditions for testing shown in the tables are chosen to guarantee operation under "worst case" conditions.

DIP AC Electrical Characteristics

$V_{EE} = -4.2V$ to $-5.7V$, $V_{CC} = V_{CCA} = GND$

Symbol	Parameter	$T_C = 0^\circ C$		$T_C = +25^\circ C$		$T_C = +85^\circ C$		Units	Conditions
		Min	Max	Min	Max	Min	Max		
f_{max}	Max Clock Frequency	400		400		400		MHz	Figures 2, 3
t_{PLH}	Propagation Delay	0.90	1.90	1.00	2.00	1.00	2.10	ns	Figures 1, 3 (Note 4)
t_{PHL}	CP to Output								
t_{TLH}	Transition Time	0.35	1.30	0.35	1.30	0.35	1.30	ns	Figures 1, 3
t_{THL}	20% to 80%, 80% to 20%								
t_S	Setup Time	D_n, P_n	0.65		0.65		0.65	ns	Figure 4
		S_n	1.60		1.60		1.60		
t_H	Hold	D_n, P_n	0.80		0.80		0.80	ns	
		S_n	0.60		0.60		0.60		
$t_{pw}(H)$	Pulse Width HIGH CP	2.00		2.00		2.00		ns	Figure 3

Note 4: The propagation delay specified is for the switching of a single output. Delays may vary up to 0.40 ns if multiple outputs are switching simultaneously.

SOIC, PCC and Cerpak AC Electrical Characteristics

$V_{EE} = -4.2V$ to $-5.7V$, $V_{CC} = V_{CCA} = GND$

Symbol	Parameter	$T_C = 0^\circ C$		$T_C = +25^\circ C$		$T_C = +85^\circ C$		Units	Conditions
		Min	Max	Min	Max	Min	Max		
f_{max}	Max Clock Frequency	425		425		425		MHz	Figures 2, 3
t_{PLH}	Propagation Delay	0.90	1.70	1.00	1.80	1.00	1.90	ns	Figures 1, 3
t_{PHL}	CP to Output								(Note 6)
t_{TLH}	Transition Time	0.35	1.20	0.35	1.20	0.35	1.20	ns	Figures 1, 3
t_{THL}	20% to 80%, 80% to 20%								
t_s	Setup Time							ns	Figure 4
	D_n, P_n S_n	0.55 1.50		0.55 1.50		0.55 1.50			
t_H	Hold Time							ns	
	D_n, P_n S_n	0.70 0.50		0.70 0.50		0.70 0.50			
$t_{pw(H)}$	Pulse Width HIGH CP	2.00		2.00		2.00		ns	Figure 3
t_{OSHL}	Maximum Skew Common Edge Output-to-Output Variation Clock to Output Path		200		200		200	ps	PCC Only (Note 5)
t_{OSLH}	Maximum Skew Common Edge Output-to-Output Variation Clock to Output Path		200		200		200	ps	PCC Only (Note 5)
t_{OST}	Maximum Skew Opposite Edge Output-to-Output Variation Clock to Output Path		250		250		250	ps	PCC Only (Note 5)
t_{ps}	Maximum Skew Pin (Signal) Transition Variation Clock to Output Path		250		250		250	ps	PCC Only (Note 5)

Note 5: Output-to-Output Skew is defined as the absolute value of the difference between the actual propagation delay for any outputs within the same packaged device. The specifications apply to any outputs switching in the same direction either HIGH to LOW (t_{OSHL}), or LOW to HIGH (t_{OSLH}), or in opposite directions both HL and LH (t_{OST}). Parameters t_{OST} and t_{ps} guaranteed by design

Note 6: The propagation delay specified is for the switching of a single output. Delays may vary up to 0.40 ns if multiple outputs are switching simultaneously.

Industrial Version

PCC DC Electrical Characteristics (Note 7)

$V_{EE} = -4.2V$ to $-5.7V$, $V_{CC} = V_{CCA} = GND$, $T_C = -40^\circ C$ to $+85^\circ C$

Symbol	Parameter	$T_C = -40^\circ C$		$T_C = 0^\circ C$ to $+85^\circ C$		Units	Conditions	
		Min	Max	Min	Max			
V_{OH}	Output HIGH Voltage	-1085	-870	-1025	-870	mV	$V_{IN} = V_{IH}(\text{Max})$	Loading with 50Ω to $-2.0V$
V_{OL}	Output LOW Voltage	-1830	-1575	-1830	-1620	mV	or $V_{IL}(\text{Min})$	
V_{OHC}	Output HIGH Voltage	-1095		-1035		mV	$V_{IN} = V_{IH}(\text{Min})$	Loading with 50Ω to $-2.0V$
V_{OLC}	Output LOW Voltage		-1565		-1610	mV	or $V_{IL}(\text{Max})$	
V_{IH}	Input HIGH Voltage	-1170	-870	-1165	-870	mV	Guaranteed HIGH Signal for all Inputs	
V_{IL}	Input LOW Voltage	-1830	-1480	-1830	-1475	mV	Guaranteed LOW Signal for all Inputs	
I_{IL}	Input LOW Current	0.50		0.50		μA	$V_{IN} = V_{IL}(\text{Min})$	
I_{IH}	Input HIGH Current		240		240	μA	$V_{IN} = V_{IH}(\text{Max})$	
I_{EE}	Power Supply Current						Inputs Open	
		-157	-75	-157	-75	mA	$V_{EE} = -4.2V$ to $-4.8V$	
		-167	-75	-167	-75	mA	$V_{EE} = -4.2V$ to $-5.7V$	

PCC DC Electrical Characteristics (Note 7) (Continued)

Note 7: The specified limits represent the "worst case" value for the parameter. Since these values normally occur at the temperature extremes, additional noise immunity and guardbanding can be achieved by decreasing the allowable system operating ranges. Conditions for testing shown in the tables are chosen to guarantee operation under "worst case" conditions.

PCC AC Electrical Characteristics

$V_{EE} = -4.2V$ to $-5.7V$, $V_{CC} = V_{CCA} = GND$

Symbol	Parameter	$T_C = -40^\circ C$		$T_C = +25^\circ C$		$T_C = +85^\circ C$		Units	Conditions
		Min	Max	Min	Max	Min	Max		
f_{max}	Max Clock Frequency	425		425		425		MHz	Figures 2, 3
t_{PLH}	Propagation Delay	0.90	1.80	1.00	1.80	1.00	1.90	ns	Figures 1, 3
t_{PHL}	CP to Output								(Note 8)
t_{TLH}	Transition Time	0.30	1.90	0.35	1.20	0.35	1.20	ns	Figures 1, 3
t_{THL}	20% to 80%, 80% to 20%								
t_s	Setup Time								
	D_n, P_n	0.60		0.55		0.55		ns	Figure 4
	S_n	1.70		1.50		1.50			
t_h	Hold Time								
	D_n, P_n	0.90		0.70		0.70		ns	
	S_n	0.50		0.50		0.50			
$t_{pw(H)}$	Pulse Width HIGH	2.00		2.00		2.00		ns	Figure 3
	CP								

Note 8: The propagation delay specified is for the switching of a single output. Delays may vary up to 0.40 ns if multiple outputs are switching simultaneously.

Military Version

DC Electrical Characteristics

$V_{EE} = -4.2V$ to $-5.7V$, $V_{CC} = V_{CCA} = GND$, $T_C = -55^\circ C$ to $+125^\circ C$

Symbol	Parameter	Min	Max	Units	T_C	Conditions		Notes
V_{OH}	Output HIGH Voltage	-1025	-870	mV	$0^\circ C$ to $+125^\circ C$	$V_{IN} = V_{IH} (Max)$ or $V_{IL} (Min)$	Loading with 50Ω to $-2.0V$	(Notes 9, 10, 11)
		-1085	-870	mV	$-55^\circ C$			
V_{OL}	Output LOW Voltage	-1830	-1620	mV	$0^\circ C$ to $+125^\circ C$	$V_{IN} = V_{IH} (Min)$ or $V_{IL} (Max)$	Loading with 50Ω to $-2.0V$	(Notes 9, 10, 11)
		-1830	-1555	mV	$-55^\circ C$			
V_{OHC}	Output HIGH Voltage	-1035		mV	$0^\circ C$ to $+125^\circ C$	$V_{IN} = V_{IH} (Min)$ or $V_{IL} (Max)$	Loading with 50Ω to $-2.0V$	(Notes 9, 10, 11)
		-1085		mV	$-55^\circ C$			
V_{OLC}	Output LOW Voltage		-1610	mV	$0^\circ C$ to $+125^\circ C$	$V_{IN} = V_{IH} (Min)$ or $V_{IL} (Max)$	Loading with 50Ω to $-2.0V$	(Notes 9, 10, 11)
			-1555	mV	$-55^\circ C$			
V_{IH}	Input HIGH Voltage	-1165	-870	mV	$-55^\circ C$ to $+125^\circ C$	Guaranteed HIGH Signal for All Inputs		(Notes 9, 10, 11, 12)
V_{IL}	Input LOW Current	-1830	-1475	mV	$-55^\circ C$ to $+125^\circ C$	Guaranteed LOW Signal for All Inputs		(Notes 9, 10, 11, 12)
I_{IL}	Input LOW Current	0.50		μA	$-55^\circ C$ to $+125^\circ C$	$V_{EE} = -4.2V$ $V_{IN} = V_{IL} (Min)$		(Notes 9, 10, 11, 12)
I_{IH}	Input High Current		240	μA	$0^\circ C$ to $+125^\circ C$	$V_{EE} = -5.7V$		(Notes 9, 10, 11)
			340	μA	$-55^\circ C$	$V_{IN} = V_{IH} (Max)$		
I_{EE}	Power Supply Current		-55	mA	$-55^\circ C$ to $+125^\circ C$	Inputs Open		(Notes 9, 10, 11)
		-168	-55	mA		$V_{EE} = -4.2V$ to $-4.8V$ $V_{EE} = -4.2V$ to $-5.7V$		

Note 9: F100K 300 Series cold temperature testing is performed by temperature soaking (to guarantee junction temperature equals $-55^\circ C$), then testing immediately without allowing for the junction temperature to stabilize due to heat dissipation after power-up. This provides "cold start" specifications which can be considered a worst case condition at cold temperatures.

Note 10: Screen tested 100% on each device at $-55^\circ C$, $+25^\circ C$ and $+125^\circ C$, Subgroups 1, 2, 3, 7, and 8.

Note 11: Sample tested (Method 5005, Table I) on each manufactured lot at $-55^\circ C$, $+25^\circ C$, and $+125^\circ C$, Subgroups A1, 2, 3, 7, and 8.

DC Electrical Characteristics (Continued)

Note 12: Guaranteed by applying specified input condition and testing V_{OH}/V_{OL} .

AC Electrical Characteristics

$V_{EE} = -4.2V$ to $-5.7V$, $V_{CC} = V_{CCA} = GND$

Symbol	Parameter	$T_C = -55^\circ C$		$T_C = +25^\circ C$		$T_C = +125^\circ C$		Units	Conditions	Notes
		Min	Max	Min	Max	Min	Max			
f_{max}	Max Clock Frequency	400		400		300		MHz	Figures 2, 3	4
t_{PLH}	Propagation Delay	0.50	2.50	0.70	2.30	0.70	2.80	ns	Figures 1, 3	(Notes 13, 14, 15, 17)
t_{PHL}	CP to Output									
t_{TLH}	Transition Time	0.30	1.90	0.30	1.80	0.30	1.90	ns	Figure 4	(Note 16)
t_{THL}	20% to 80%, 80% to 20%									
t_s	Setup Time	D_n, P_n	0.60	0.60	0.60	0.60	0.60	ns	Figure 4	(Note 16)
		S_n	1.70	1.60	2.40					
t_h	Hold Time	D_n, P_n	0.90	0.90	0.90	0.90	0.90	ns	Figure 3	(Note 16)
		S_n	0.50	0.50	0.50	0.50				
$t_{pw(H)}$	Pulse Width HIGH	2.00		2.00		2.00		ns	Figure 3	
	CP									

Note 13: F100K 300 Series cold temperature testing is performed by temperature soaking (to guarantee junction temperature equals $-55^\circ C$), then testing immediately after power-up. This provides "cold start" specifications which can be considered a worst case condition at cold temperatures.

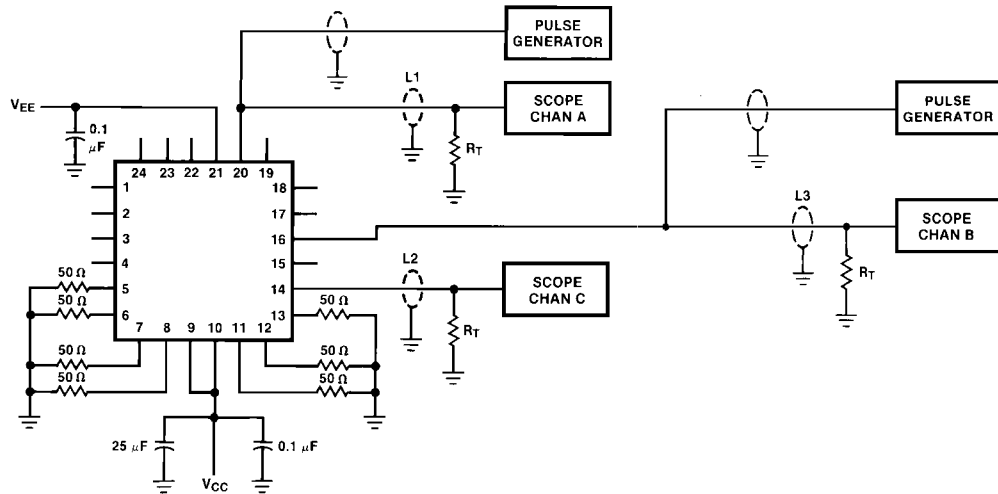
Note 14: Screen tested 100% on each device at $+25^\circ C$ temperature only, Subgroup A9.

Note 15: Sample tested (Method 5005, Table I) on each manufactured lot at $+25^\circ C$, Subgroup A9, and at $+125^\circ C$ and $-55^\circ C$ temperatures, Subgroups A10 and A11.

Note 16: Not tested at $+25^\circ C$, $+125^\circ C$ and $-55^\circ C$ temperature (design characterization data).

Note 17: The propagation delay specified is for the switching of a single output. Delays may vary up to 0.40 ns if multiple outputs are switching simultaneously.

Test Circuitry

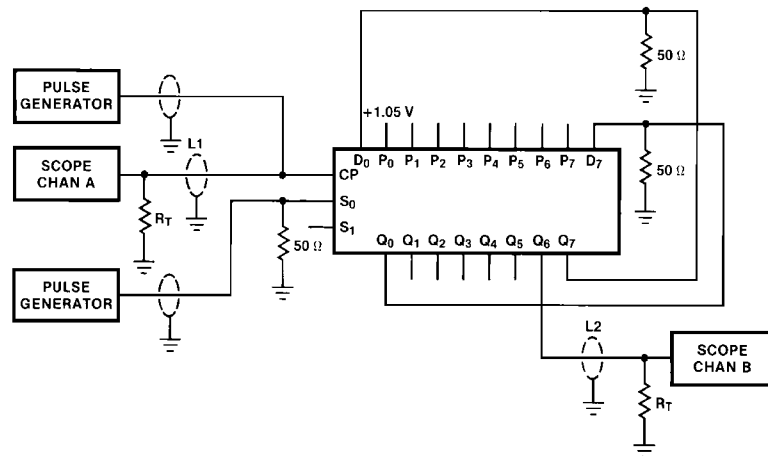


DS009880-6

Notes:

$V_{CC}, V_{CCA} = +2V, V_{EE} = -2.5V$
 $L1, L2$ and $L3$ = equal length 50Ω impedance lines
 $R_T = 50\Omega$ terminator internal to scope
 Decoupling $0.1 \mu F$ from GND to V_{CC} and V_{EE}
 All unused outputs are loaded with 50Ω to GND
 C_L = Fixture and stray capacitance $\leq 3 pF$
 Pin numbers shown are for Flatpak; for DIP see logic symbol

FIGURE 1. AC Test Circuit



DS009880-7

Notes:

For shift right mode pulse generator connected to S_0 is moved to S_1 .
 Pulse generator connected to S_1 has a LOW frequency 99% duty cycle, which allows occasional parallel load.
 The feedback path from output to input should be as short as possible.

FIGURE 2. Shift Frequency Test Circuit (Shift Left)

Switching Waveforms

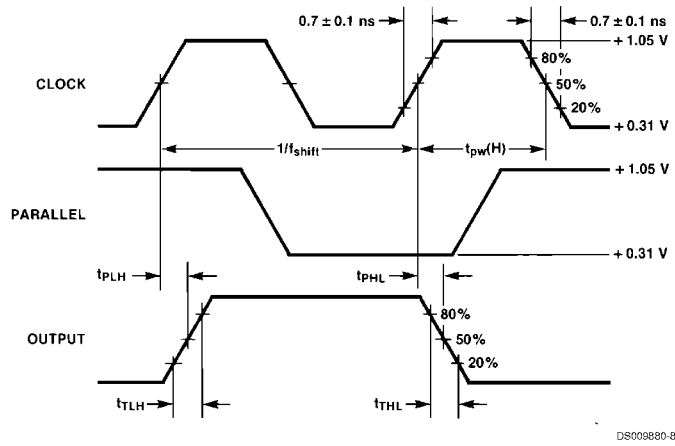
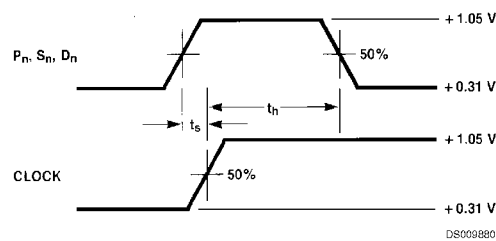


FIGURE 3. Propagation Delay and Transition Times



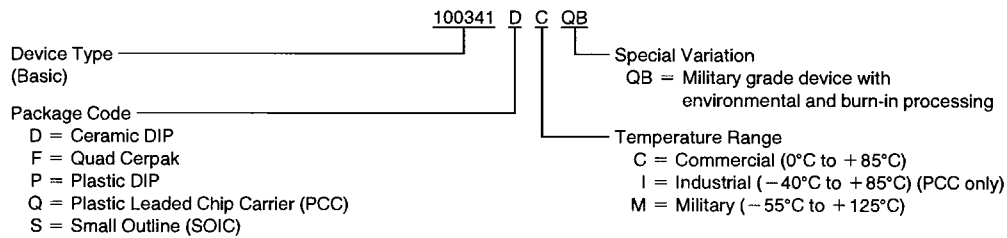
Notes:

t_s is the minimum time before the transition of the clock that information must be present at the data input.
 t_h is the minimum time after the transition of the clock that information must remain unchanged at the data input.

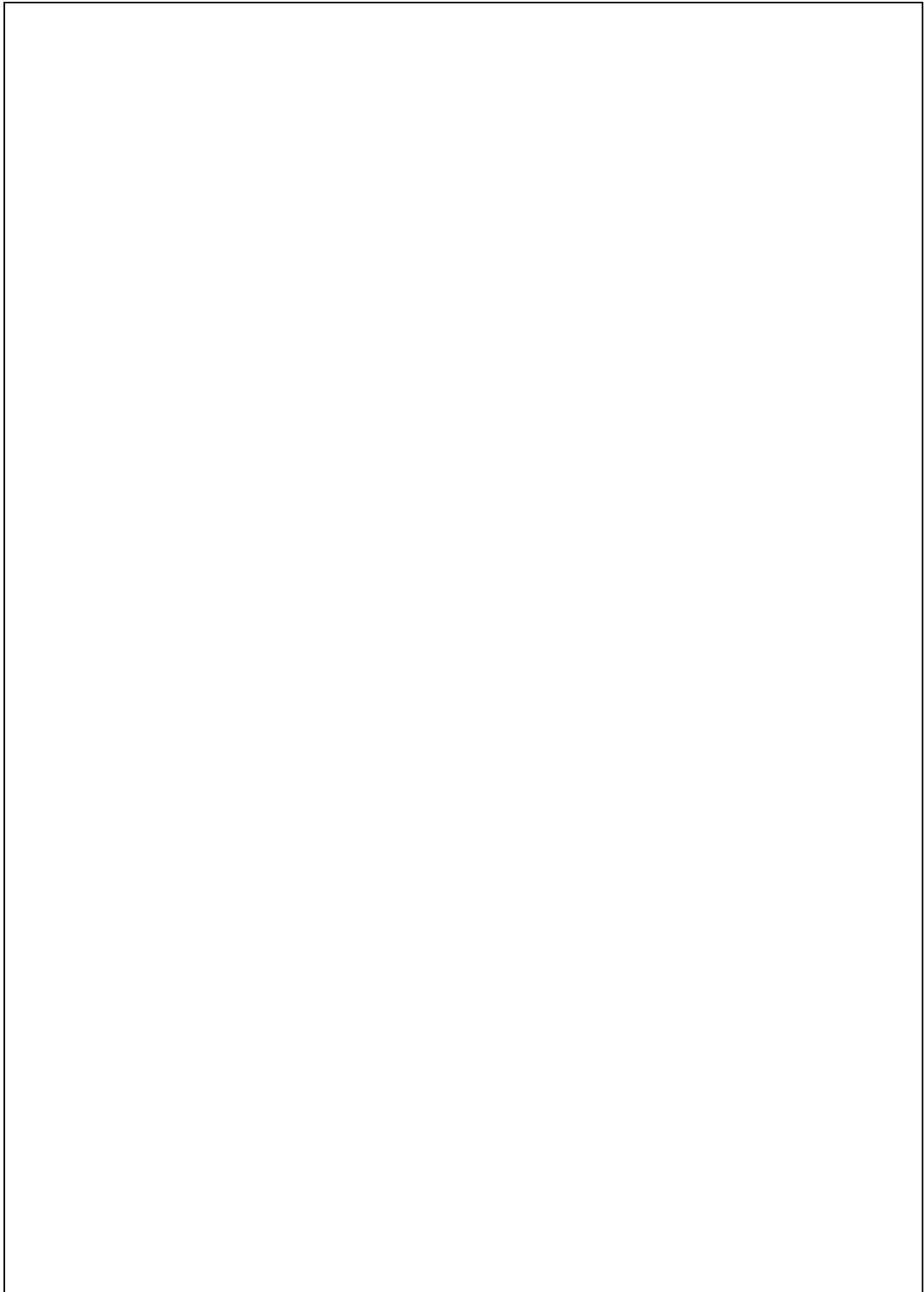
FIGURE 4. Setup and Hold Times

Ordering Information

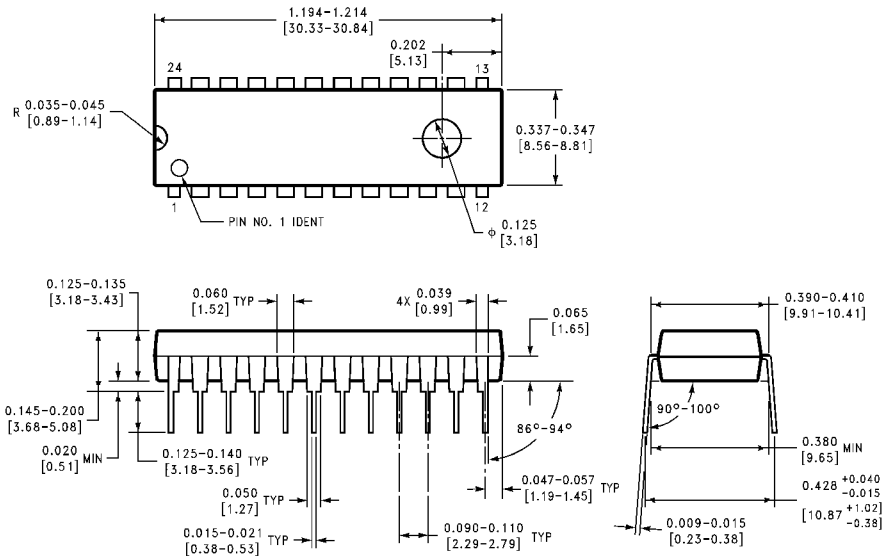
The device number is used to form part of a simplified purchasing code where a package type and temperature range are defined as follows:



DS009880-10



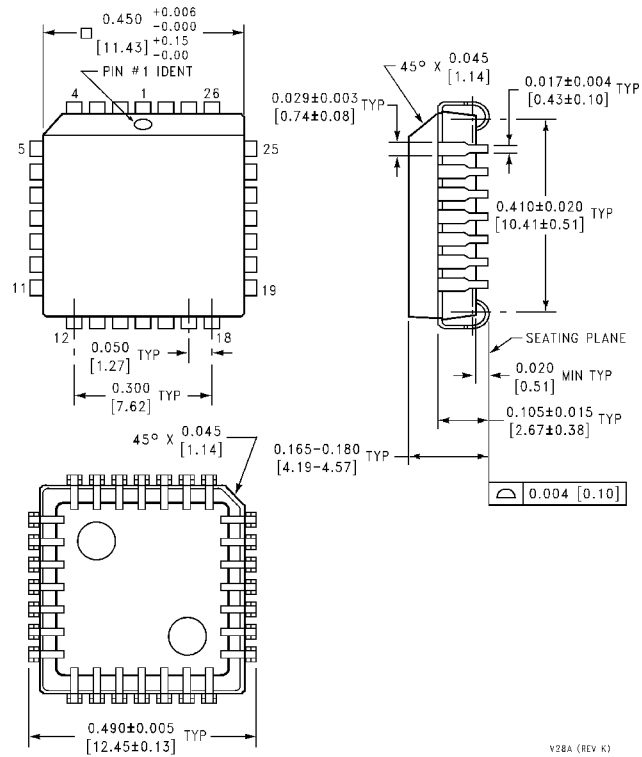
Physical Dimensions inches (millimeters) unless otherwise noted (Continued)



24-Lead Plastic Dual-In-Line Package (P)
Package Number N24E

N24E (REV A)

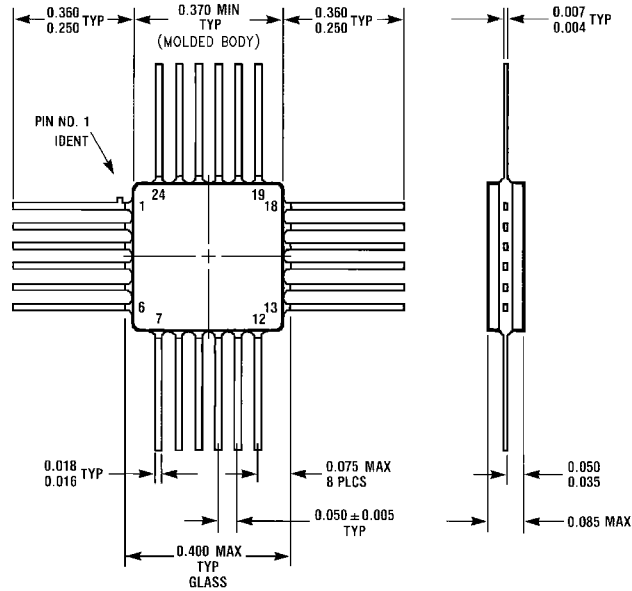
Physical Dimensions inches (millimeters) unless otherwise noted (Continued)



**28-Lead Plastic Chip Carrier (Q)
Package Number V28A**

V28A (REV K)

Physical Dimensions inches (millimeters) unless otherwise noted (Continued)



W24B (REV D)

**24-Lead Quad Cerpak (F)
Package Number W24B**

LIFE SUPPORT POLICY

FAIRCHILD'S PRODUCTS ARE NOT AUTHORIZED FOR USE AS CRITICAL COMPONENTS IN LIFE SUPPORT DEVICES OR SYSTEMS WITHOUT THE EXPRESS WRITTEN APPROVAL OF THE PRESIDENT OF FAIRCHILD SEMICONDUCTOR CORPORATION. As used herein:

1. Life support devices or systems are devices or systems which, (a) are intended for surgical implant into the body, or (b) support or sustain life, and (c) whose failure to perform when properly used in accordance with instructions for use provided in the labeling, can be reasonably expected to result in a significant injury to the user.
2. A critical component in any component of a life support device or system whose failure to perform can be reasonably expected to cause the failure of the life support device or system, or to affect its safety or effectiveness.

Fairchild Semiconductor Corporation
Americas
Customer Response Center
Tel: 1-888-522-5372

Fairchild Semiconductor Europe
Fax: +49 (0) 1 80-530 85 86
Email: europe.support@nsc.com
Deutsch Tel: +49 (0) 8 141-35-0
English Tel: +44 (0) 1 793-85-68-56
Italy Tel: +39 (0) 2 57 5631

Fairchild Semiconductor Hong Kong Ltd.
13th Floor, Straight Block,
Ocean Centre, 5 Canton Rd.
Tsimshatsui, Kowloon
Hong Kong
Tel: +852 2737-7200
Fax: +852 2314-0061

National Semiconductor Japan Ltd.
Tel: 81-3-5620-6175
Fax: 81-3-5620-6179

www.fairchildsemi.com