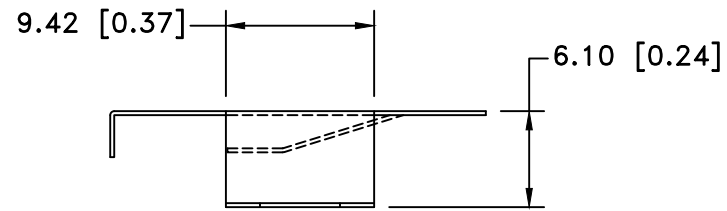
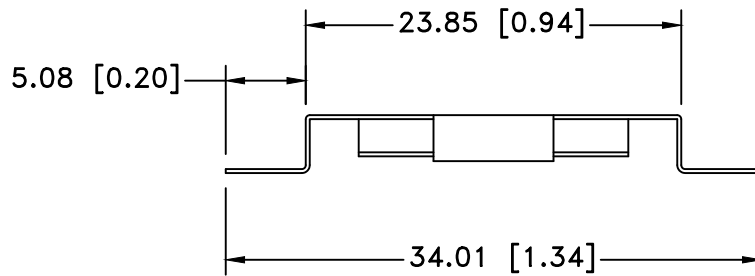
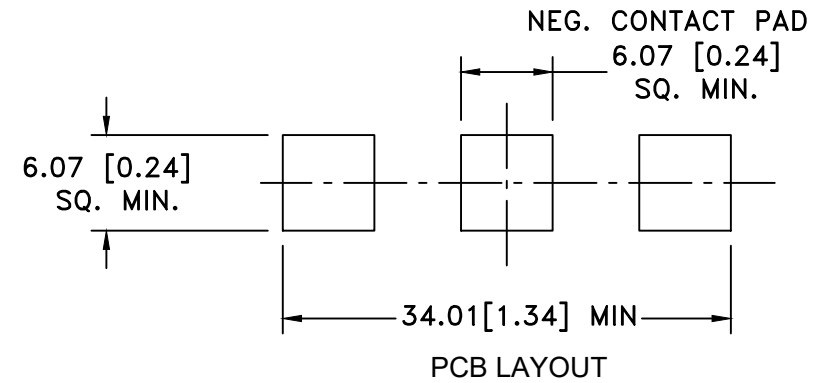
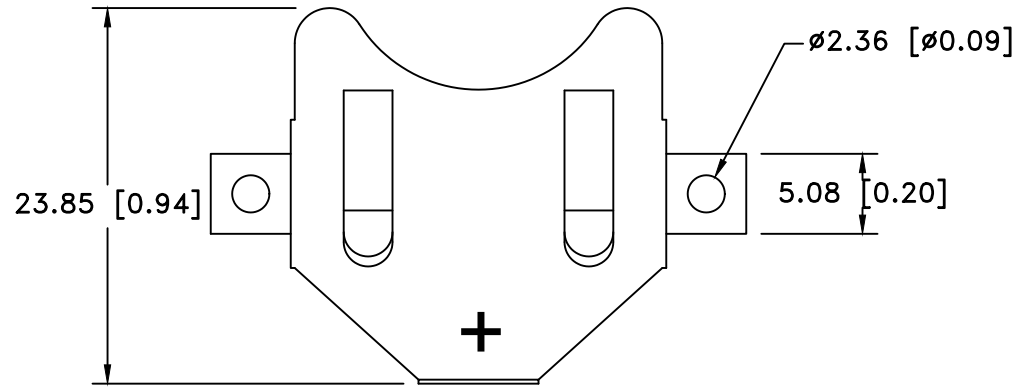



Date	SYM	REVISION RECORD	AUTH	DR.	CK.
12/04/19	E	Added weight of the part	T B	B S	



NOTES:

1. MATERIAL:  
0.25MM PHOSPHOR BRONZE, NICKEL PLATED.
2. ROHS COMPLIANT
3. APPROXIMATE WEIGHT: 1.41g

Tolerance (Except as noted)	 <b>Memory Protection Devices, Inc</b> 200 Broad Hollow Road, Farmingdale, New York 11735		
decimal $\pm .5$ (.020)		Scale	Drawn By B.S.
Fractional $\pm .8$ (.030)	Title COIN CELL RETAINER FOR 2354 BATTERIES		
Angular $\pm 3^\circ$	Date 12/04/19	Drawing Number BK-878	
CELL SIZE 23mm		RETAINS BATTERY NUMBERS CR2354, DL2354	