

**Power Inductor APSL Series**

**Automotive  
AEC-Q200**

RoHS Compliant  
Halogen Free  
REACH Compliant



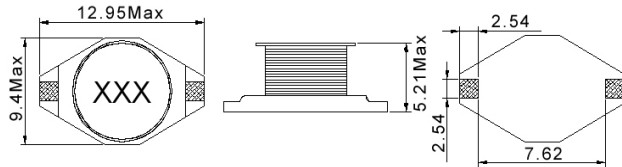
Power Circuit
Unshield
Wire Wound
Ferrite

**Part Numbering**

A	PSL	00	130952	1R0	M	00
Grade	Series Name	Control Code	Dimensions Code (mm)	Inductance (uH)	Tolerance	Internal Code
			130952 12.95x9.4x5.21	R47 0.47	M ±20%	
			130911 12.95x9.4x11.43	1R0 1.0	T ±30%	
				101 100		

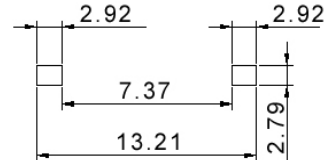
**APSL00130952 Type**

**■ Dimensions**



unit:mm

**■ Recommended Land Pattern**



unit:mm

**■ Electrical Characteristics**

Part No.	Inductance (uH)	Test Freq.	RDC (Ω)Max.	Isat (A)	Irms (A)	SRF (MHz)Typ.	Tolerance (±%)	Marking
APSL001309521R0□00	1	100 kHz,0.1 V	0.009	9	6.8	100	20	1R0
APSL001309521R5□00	1.5	100 kHz,0.1 V	0.010	8	6.4	90	20	1R5
APSL001309522R2□00	2.2	100 kHz,0.1 V	0.012	7	6.1	80	20	2R2
APSL001309523R3□00	3.3	100 kHz,0.1 V	0.015	6.4	5.4	65	20	3R3
APSL001309524R7□00	4.7	100 kHz,0.1 V	0.018	5.4	4.8	45	20	4R7
APSL001309526R8□00	6.8	100 kHz,0.1 V	0.027	4.6	4.4	38	20	6R8
APSL00130952100□00	10	100 kHz,0.1 V	0.038	3.8	3.9	30	20	100
APSL00130952120□00	12	100 kHz,0.1 V	0.043	3.5	3.6	27	20	120
APSL00130952150□00	15	100 kHz,0.1 V	0.046	3	3.1	27	20	150
APSL00130952220□00	22	100 kHz,0.1 V	0.085	2.6	2.7	19	20	220
APSL00130952330□00	33	100 kHz,0.1 V	0.100	2	2.1	15	20	330
APSL00130952470□00	47	100 kHz,0.1 V	0.140	1.6	1.8	12	20	470
APSL00130952680□00	68	100 kHz,0.1 V	0.200	1.4	1.5	10	20	680
APSL00130952101□00	100	100 kHz,0.1 V	0.260	1.2	1.3	9	20	101
APSL00130952151□00	150	100 kHz,0.1 V	0.400	1	1	6	20	151
APSL00130952221□00	220	100 kHz,0.1 V	0.610	0.8	0.8	5	20	221
APSL00130952331□00	330	100 kHz,0.1 V	1.020	0.6	0.6	4.5	20	331
APSL00130952471□00	470	100 kHz,0.1 V	1.270	0.5	0.5	3.5	20	471
APSL00130952681□00	680	100 kHz,0.1 V	2.020	0.4	0.4	2.5	20	681
APSL00130952102□00	1000	100 kHz,0.1 V	3.000	0.3	0.3	2	20	102
APSL00130952152□00	1500	100 kHz,0.1 V	4.500	0.25	0.2	1.4	20	152

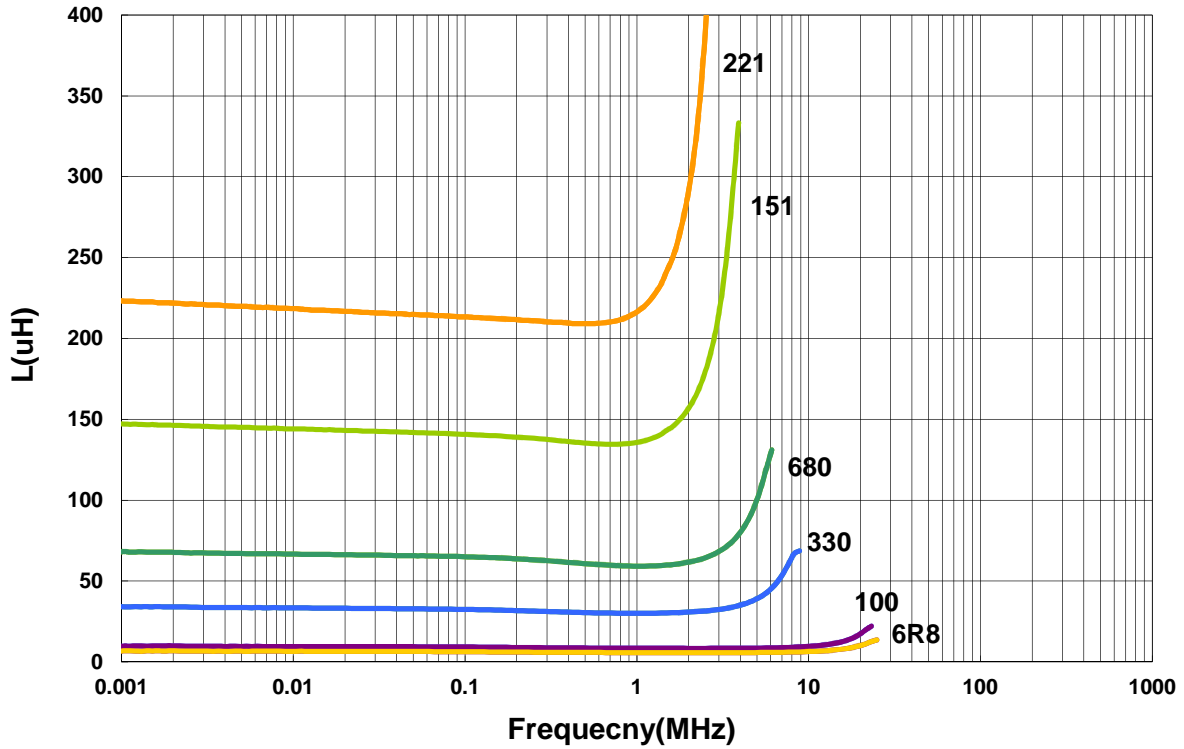
**Note: When ordering, please specify tolerance code. Tolerance: M=±20%**

1. Operating temperature range - 40°C ~ 125°C(Including self - temperature rise)
2. Isat for Inductance drop 20% from its value without current
3. Iirms for a 40°C temprature rise from 25°C ambient with current
4. Measure Equipment:  
L: Agilent E4980 or HP4284A  
RDC: Chroma 16502  
Isat: HP4284+42841A or WK3260B+WK3265B  
SRF: HP4291A or HP4192A

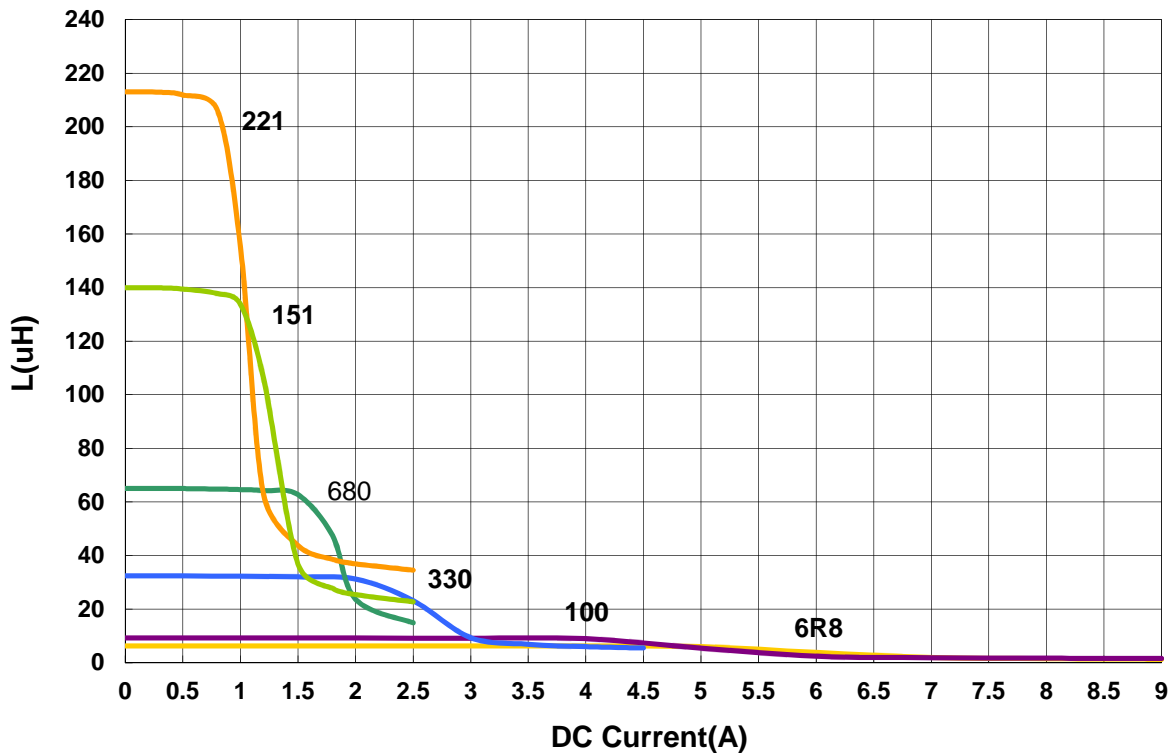
APSL00130952 Type

**Characteristics Graph**

**Inductance vs. Frequency Characteristics**



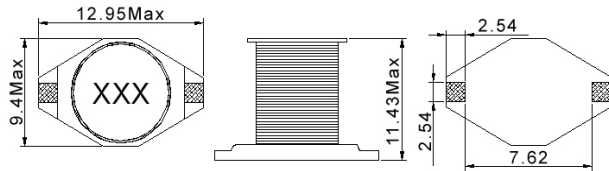
**Inductance vs. DC Current**



Please be sure to request approval specifications that provide further details of the products. Kindly note that the content of these specifications are subject to change or may be discontinued without prior notice. This product may not be designed/used in medical or high risk applications without Chilisin approval. Please contact our sales department before ordering.

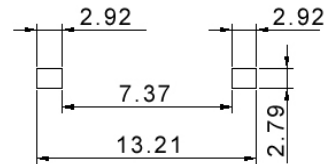
**APSL00130911 Type**

**Dimensions**



unit:mm

**Recommended Land Pattern**



unit:mm

**Electrical Characteristics**

Part No.	Inductance (uH)	Test Freq.	RDC (Ω)Max.	Isat (A)	Irms (A)	SRF (MHz)Typ.	Tolerance (±%)	Marking
APSL001309112R2□00	2.2	100 kHz,0.1 V	0.007	13			20	2R2
APSL001309113R3□00	3.3	100 kHz,0.1 V	0.025	10	4	30	20	3R3
APSL001309114R7□00	4.7	100 kHz,0.1 V	0.033	8	3.5	25	20	4R7
APSL001309116R8□00	6.8	100 kHz,0.1 V	0.025	7			20	6R8
APSL00130911100□00	10	100 kHz,0.1 V	0.033	8	3.5	22	20	100
APSL00130911150□00	15	100 kHz,0.1 V	0.042	7	3	18	20	150
APSL00130911220□00	22	100 kHz,0.1 V	0.054	5.5	2.5	11	20	220
APSL00130911330□00	33	100 kHz,0.1 V	0.080	4	2	9	20	330
APSL00130911470□00	47	100 kHz,0.1 V	0.100	3.8	1.6	8	20	470
APSL00130911680□00	68	100 kHz,0.1 V	0.170	3	1.2	7	20	680
APSL00130911101□00	100	100 kHz,0.1 V	0.220	2.5	1.2	5	20	101
APSL00130911151□00	150	100 kHz,0.1 V	0.340	2	0.9	4	20	151
APSL00130911221□00	220	100 kHz,0.1 V	0.440	1.6	0.7	3.5	20	221
APSL00130911271□00	270	100 kHz,0.1 V	0.600	1.4	0.6	2.5	20	271
APSL00130911331□00	330	100 kHz,0.1 V	0.700	1.2	0.6	2.5	20	331
APSL00130911471□00	470	100 kHz,0.1 V	0.950	1	0.3	2	20	471
APSL00130911681□00	680	100 kHz,0.1 V	1.200	1	0.2	2	20	681
APSL00130911102□00	1000	100 kHz,0.1 V	2.000	0.8	0.1	1.5	20	102

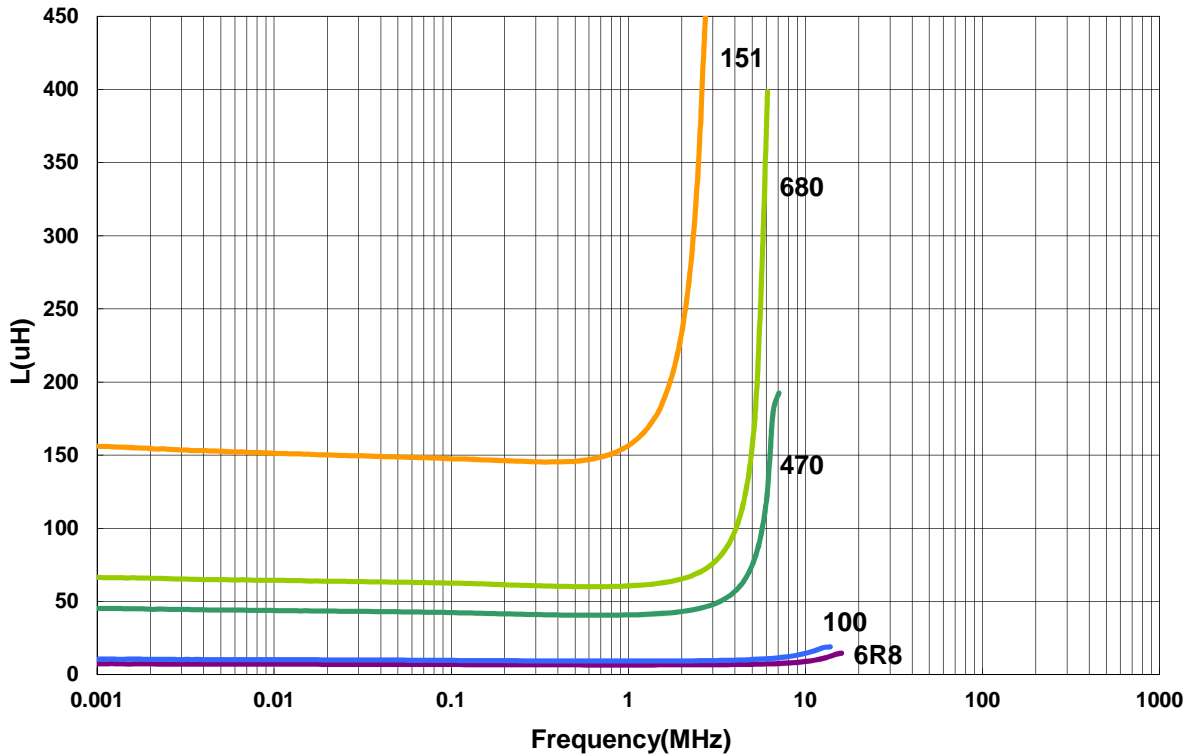
**Note: When ordering, please specify tolerance code. Tolerance: M=±20%**

- Operating temperature range - 40°C ~ 125°C(Including self - temperature rise)
- Isat for Inductance drop 20% from its value without current
- Irms for a 40°C temprature rise from 25°C ambient with current
- Measure Equipment:  
L: Agilent/ E4980 or HP4284A  
RDC: Chroma 16502  
Isat: HP4284+42841A or WK3260B+WK3265B  
SRF: HP4291A or HP4192A

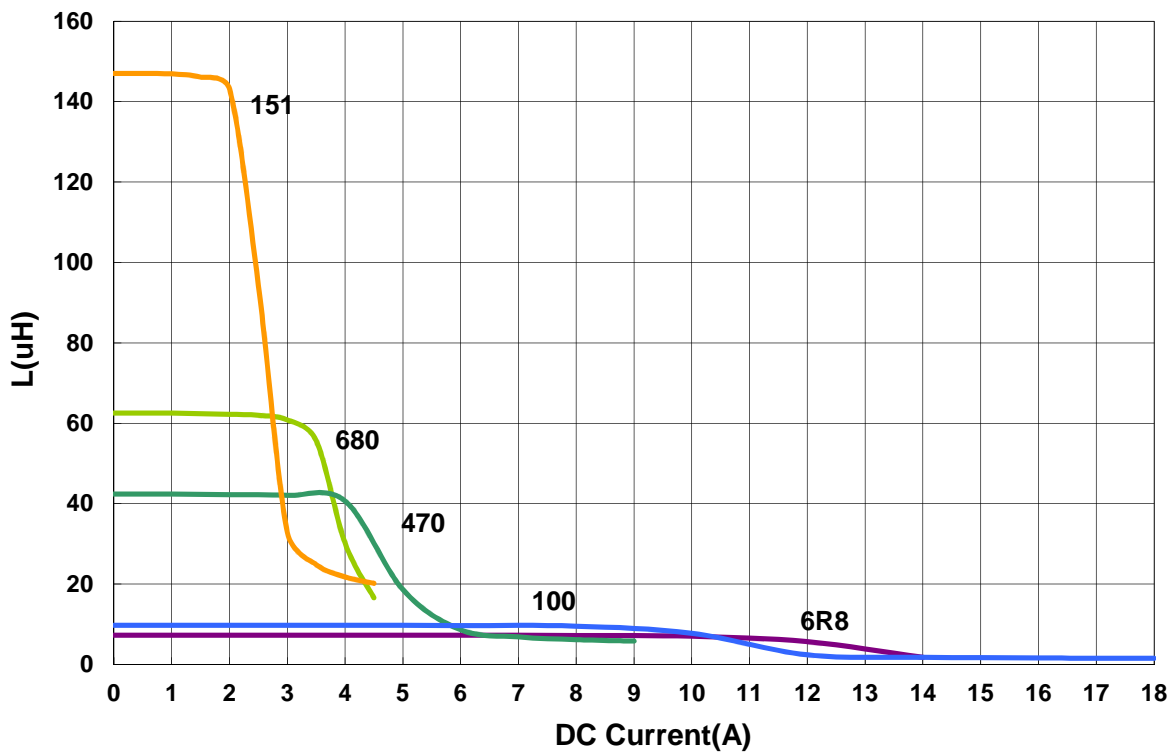
APSL00130911 Type

**Characteristics Graph**

**Inductance vs. Frequency Characteristics**



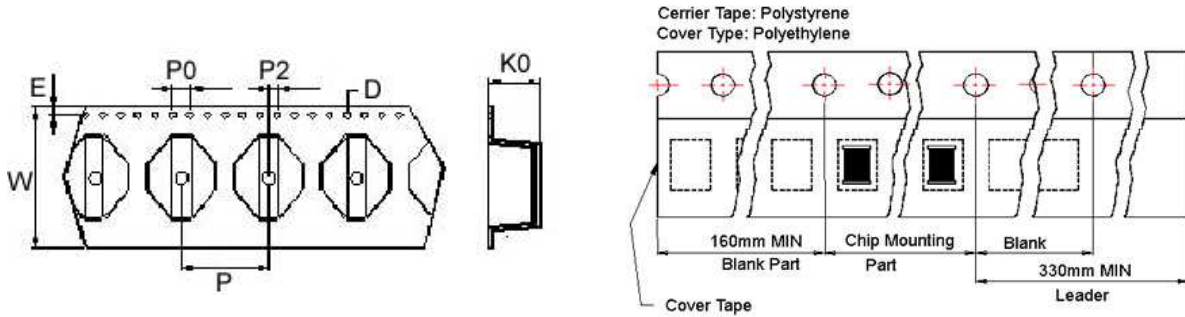
**Inductance vs. DC Current**



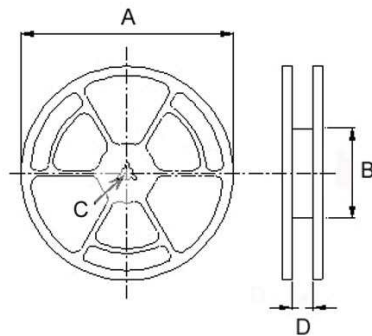
Please be sure to request approval specifications that provide further details of the products. Kindly note that the content of these specifications are subject to change or may be discontinued without prior notice. This product may not be designed/used in medical or high risk applications without Chilisin approval. Please contact our sales department before ordering.

**■ Packaging**

Tape Dimensions



Reel Dimensions



Dimensions in mm

TYPE	Tape Dimensions							Reel Dimensions				Quantity
	K0	D	E	W	P	P0	P2	A	B	C	D	PCS / REEL
APSL00130952	5.4	1.55	1.75	24	16	4	2	330	100	13	13.4	750
APSL00130911	11.2	1.55	1.75	24	20	4	2	330	100	13	13.4	225