



# SMD Unshielded Power Inductors - BWVN Series

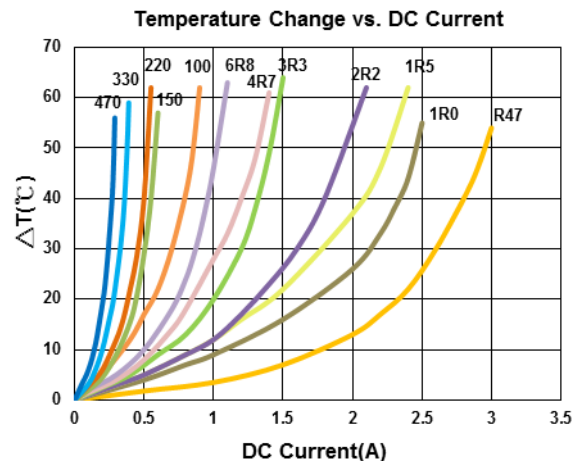
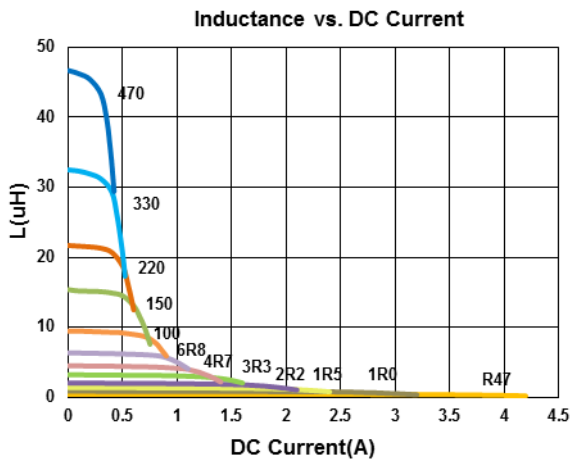
## Electrical Characteristics

Part Number	Inductance (uH)	Tolerance (±%)	Test Frequency (MHz)	RDC (Ω) ±20%	Isat (A)Max	Irms (A)Max	Marking
BWVN00322515R47□00	0.47	30	1	0.030	3.40	2.55	R47
BWVN003225151R0□00	1.0	30	1	0.045	2.30	2.05	1R0
BWVN003225151R5□00	1.5	30	1	0.057	1.75	1.75	1R5
BWVN003225152R2□00	2.2	20, 30	1	0.076	1.55	1.60	2R2
BWVN003225153R3□00	3.3	20, 30	1	0.12	1.25	1.20	3R3
BWVN003225154R7□00	4.7	20, 30	1	0.18	1.00	1.00	4R7
BWVN003225156R8□00	6.8	20, 30	1	0.24	0.85	0.85	6R8
BWVN00322515100□00	10	20, 30	1	0.38	0.75	0.70	100
BWVN00322515150□00	15	20, 30	1	0.70	0.55	0.50	150
BWVN00322515220□00	22	20, 30	1	0.81	0.50	0.45	220
BWVN00322515330□00	33	20, 30	1	1.05	0.36	0.32	330
BWVN00322515470□00	47	20, 30	1	1.48	0.28	0.24	470

**Note: When ordering, please specify tolerance code. Tolerance: M=±20% , T =±30%**

- Operating temperature range - 40°C ~ 125°C(Including self - temperature rise)
- Isat for Inductance drop 30% from its value without current
- Iirms for a 40°C temperature rise from 25°C ambient with current
- Measure Equipment :
- L : Agilent/HP4287A+ Agilent/HP16197A, 1MHz 200mV
- RDC : DIGITAL MILLINHM METER CHROMA 16502, or equivalent
- Isat & Iirms : Agilent HP4284A

## Test Instruments : HP4287A Material/Impedance Analyzer

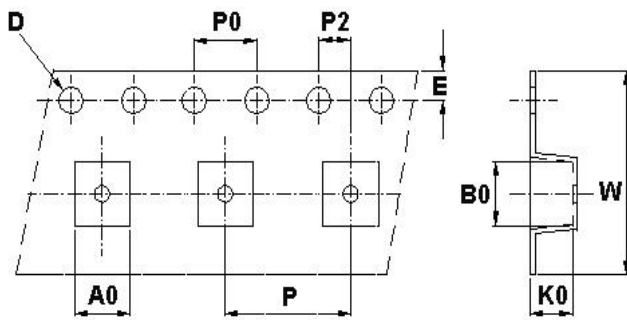


Please be sure to request approval specifications that provide further details of the products. Kindly note that the content of these specifications are subject to change or may be discontinued without prior notice. This product may not be designed/used in medical or high risk applications without Chilisin approval. Please contact our sales department before ordering.

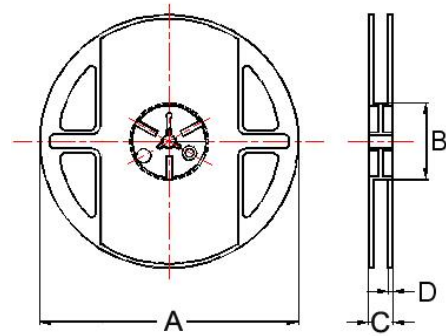
# SMD Unshielded Power Inductors - BWVN Series

## Packaging Specifications

Tape Dimensions



Reel Dimensions



Dimensions in mm

TYPE	Tape Dimensions									Reel Dimensions				Quantity
	A0	B0	K0	D	E	W	P	P0	P2	A	B	C	D	PCS / Reel
BWVN00322515	2.85	3.56	1.80	1.55	1.75	8	4	4	2	178	60	9	1.5	800