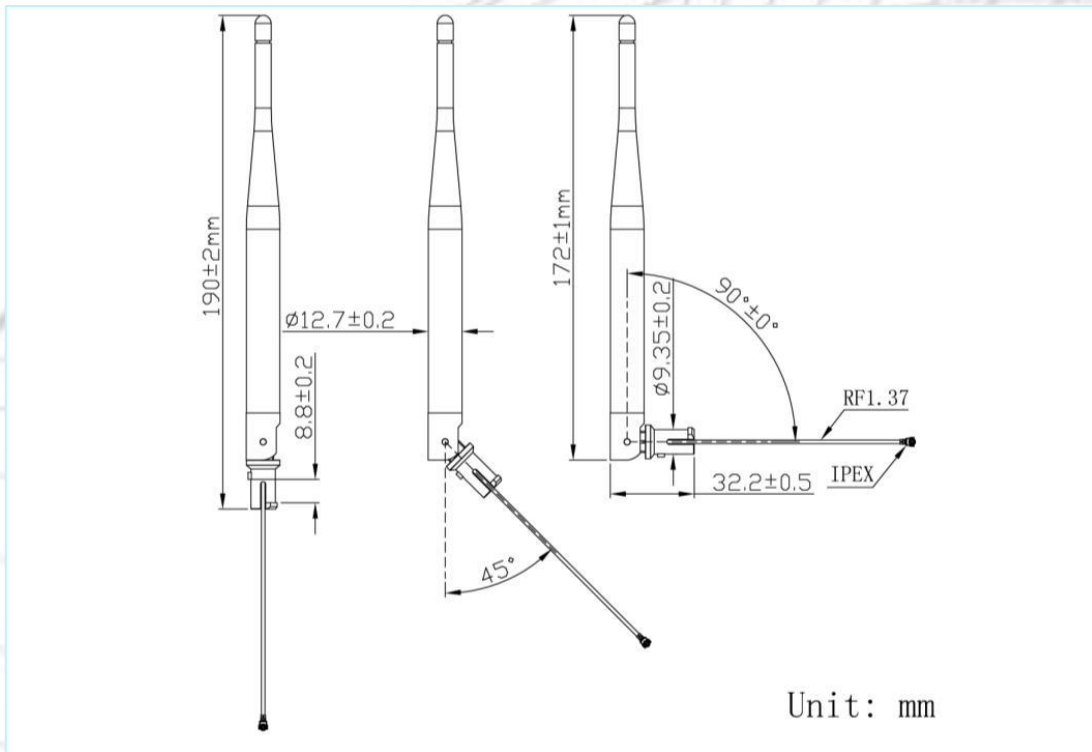


WIFI Antenna right angle with lead AN_W410-1



Mechanical dimension



WIFI Antenna

Specifications

Item	Specifications	
Antenna	Frequency Range	2400~2483.5MHz
	Band Width	83.5MHz
	Polarization	Linear
	Gain	5dBi
	V.S.W.R	<2.0
	Impedance	50Ω
Mechanical	Cable	RF1.37
	Connector	IPEX
	Mounting Method	Knuckle
Environmental	Operating Temperature	-40°C ~+85°C
	Vibration	10 to 55Hz with 1.5mm amplitude 2hours
	Environmentally Friendly	ROHS Compliant

Radiation Patterns

