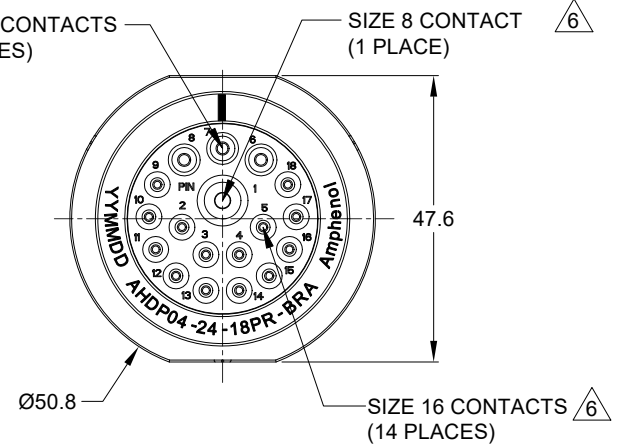
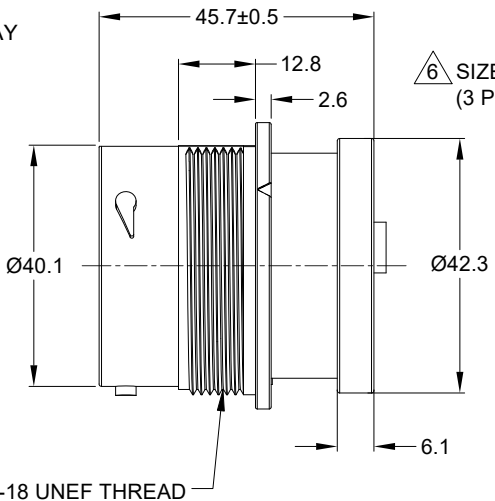
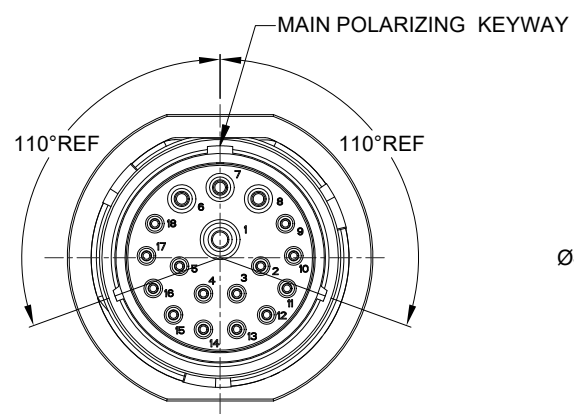
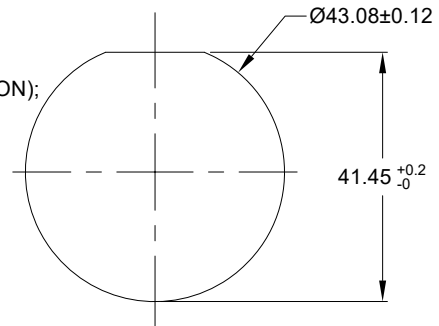


| REVISIONS | | | | | |
|-----------|-----|---------------------|---------|------|-------|
| REV | ECO | DESCRIPTION | DATE | BY | APPR |
| A1 | - | RELEASE NEW DRAWING | 23FEB22 | VITO | TOMMY |

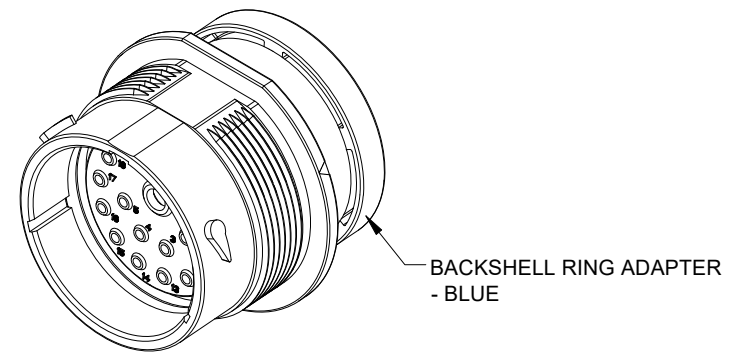


NOTES: UNLESS OTHERWISE SPECIFIED

- MATERIAL:
HOUSING: THERMOPLASTIC; BLACK
SEAL: SILICONE RUBBER
- MODIFICATIONS: BACKSHELL RING ADAPTER (BRA);
REDUCED DIA. WIRE SEAL.
- SPECIFICATIONS:
3.1 OPERATING TEMPERATURE: -55°C TO +125°C.
3.2 DIELECTRIC WITHSTANDING VOLTAGE: LESS THAN 2 MILLIAMPS CURRENT LEAKAGE @ 1500 VOLTS AC.
3.3 INSULATION RESISTANCE: 1000 MEGOHM MIN @ 25°C.
3.4 MOISTURE RESISTANCE:
IP68(IM OF WATER FOR A PERIOD OF 24 HOURS,MATED CONDITION);
IP69K (MATED CONDITION)
3.5 MATING CYCLE DURABILITY: 100 CYCLES
3.6 RoHS COMPLIANT
- MATING PART: AHDP06-24-18S* (* = SEAL TYPE)
- ALL DIMENSIONS ARE FOR REFERENCE USE ONLY.



RECOMMENDED PANEL MOUNTING HOLE
RECOMMENDED PANEL THICKNESS: 1.6 TO 4.7MM



CONTACT SIZE AND WIRE RANGE:

| CONTACT SIZE | MIN. INSUL O.D. | MAX. INSUL O.D. | TYPICAL WIRE RANGE | CURRENT RATING |
|--------------|-------------------|-------------------|-------------------------------------|----------------|
| 8 | 3.43 mm (.135in) | 5.59 mm (.220 in) | 8-10 AWG (10.0-5.0mm ²) | 60 AMPS |
| 12 | 2.46 mm (.097in) | 4.01 mm (.158 in) | 10-14 AWG (6.0-2.0mm ²) | 25 AMPS |
| 16 | 1.35 mm (.053 in) | 3.05 mm (.120 in) | 14-20 AWG (2.0-0.5mm ²) | 13 AMPS |

7. RECEPTACLE IS SUPPLIED WITH DUST CAP.

| AHDP04-24-18PR-BRA | | REF:HDP24-24-18PE-L017 | | | | | | | | | | | |
|--|-------------|--|--|------------|------|---------------|---------|----------------------|---------|-----------|--|---------------------|---------|
| QUANTITY | PART NUMBER | DESCRIPTION | ITEM | | | | | | | | | | |
| MATERIALS LIST | | | | | | | | | | | | | |
| UNLESS OTHERWISE SPECIFIED 1) All dimensions are in metric(mm). 2) Tolerances are as follows: 1 PL DEC ±0.30 Fractions ±1/64 2 PL DEC ±0.15 Angles ±1° 3 PL DEC ±0.08 3) Note reference = | | <table border="1"> <thead> <tr> <th>SIGNATURES</th> <th>DATE</th> </tr> </thead> <tbody> <tr> <td>DRAWN: VITOLJ</td> <td>23FEB22</td> </tr> <tr> <td>CHECKED: SULLENZHANG</td> <td>24FEB22</td> </tr> <tr> <td>ENGINEER:</td> <td></td> </tr> <tr> <td>APPROVAL: TOMMY XIE</td> <td>25FEB22</td> </tr> </tbody> </table> | | SIGNATURES | DATE | DRAWN: VITOLJ | 23FEB22 | CHECKED: SULLENZHANG | 24FEB22 | ENGINEER: | | APPROVAL: TOMMY XIE | 25FEB22 |
| SIGNATURES | DATE | | | | | | | | | | | | |
| DRAWN: VITOLJ | 23FEB22 | | | | | | | | | | | | |
| CHECKED: SULLENZHANG | 24FEB22 | | | | | | | | | | | | |
| ENGINEER: | | | | | | | | | | | | | |
| APPROVAL: TOMMY XIE | 25FEB22 | | | | | | | | | | | | |
| MATERIAL SPECIFICATIONS: WEIGHT: 51.4g | | Sine Systems - www.amphenol-sine.com 44724 Morley Drive Clinton Township, MI 48036 | | | | | | | | | | | |
| PROCESS SPECIFICATIONS: | | THIS DRAWING IS SUPPLIED FOR INFORMATION ONLY. DESIGN FEATURES, SPECIFICATIONS AND PERFORMANCE DATA SHOWN HEREON ARE THE PROPERTY OF THE AMPHENOL CORPORATION. NO RIGHTS OF REPRODUCTION ARE IMPLIED. ALL DIMENSIONS ARE SUBJECT TO NORMAL MANUFACTURING VARIATIONS. | | | | | | | | | | | |
| NEXT ASSY: | | CUSTOMER: 18POS, RECEPTACLE, PIN, SIZE 24, RD SEAL, BRA, DURAMATE AHDP | | | | | | | | | | | |
| | | SIZE: B TYPE: C- SCALE: NONE | DWG NO: AHDPO4-24-18PR-BRA REVISION: A1 DURAMATE SHEET 1 OF 1 | | | | | | | | | | |

TITLE: 18POS RECEPTACLE PIN SIZE 24, RD SEAL, BRA, DURAMATE AHDP
 DWG NO: AHDPO4-24-18PR-BRA
 REV: A1
 SH: 1
 OF: 1