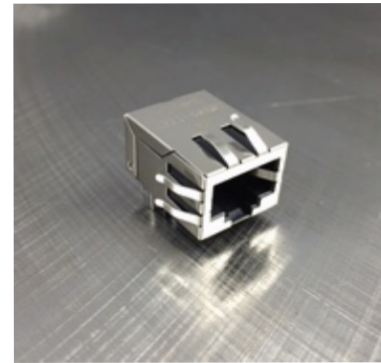




Single Port RJ45 Connector

AR11-4368I

- 10/100/1000 BaseT Gigabit for LAN, WAN and other Ethernet Applications
- Designed to meet: IEEE802.3
- Full EMI Fingers
- Industrial Temp: -40°C to +85°C



Electrical Specifications @ 25°C

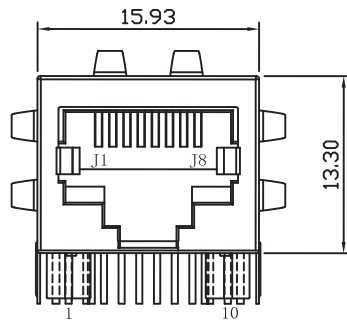
Part Number	OCL( $\mu$ H Min) @ 100kHz, 0.1V With 8mA DC Bias	Turns Ratio chip: cable ( $\pm$ 3%)	DCR ( $\Omega$ Max)	Cross Talk (dB Min)		
	1-30MHz			30-60MHz	60-100MHz	
AR11-4368I	350	1CT:1CT	1.2	-40	-35	-30

Electrical Specifications @ 25°C

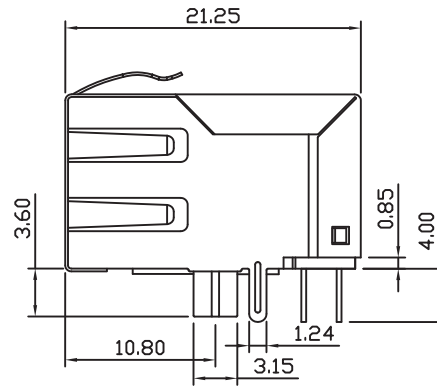
Part Number	Insertion Loss (dB Max)	Common Mode Rejection (dB Max)		Return Loss (dB Min)			Hi-Pot Test
	1~100MHz	1-50MHz	50-150MHz	1-30MHz	30-60MHz	60-100MHz	Min
AR11-4368I	-1.0	-30	-20	-18	-15	-12	1500Vrms

All specifications subject to change without notice.

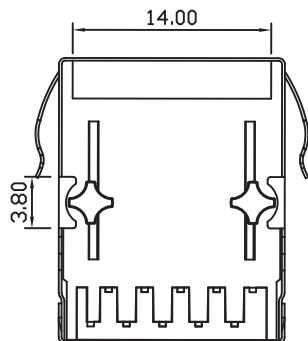
MECHANICAL



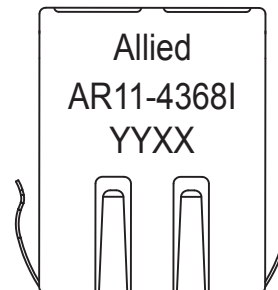
Front Side View



Left Side View



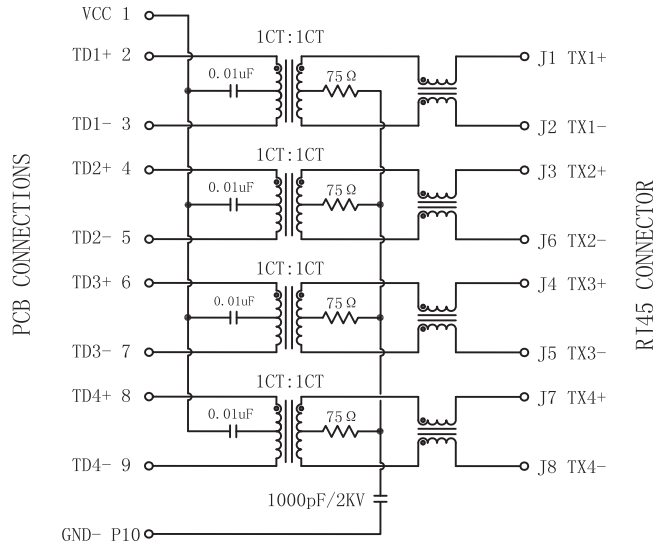
Bottom Side View



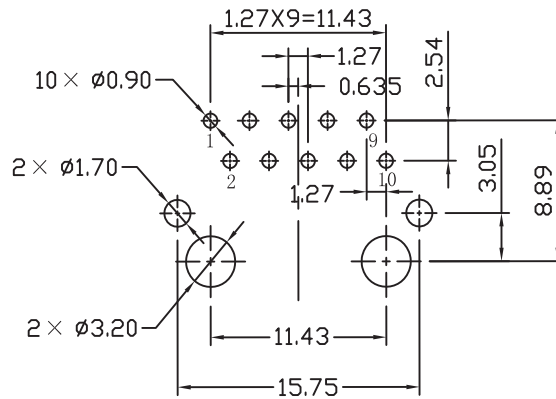
Top Side View



**SCHEMATICS**



**PCB LAYOUT**



Suggested PCB Layout (Top View)

**NOTES**

1. Connector Materials:  
 Housing Material: Thermoplastic PBT+30%G. F UL94V-0  
 Contact Material: Phosphor Bronze C5210R-EH Thickness=0.35mm  
 Pins: Brass C2680R-H Thickness=0.35mm  
 Shield: SUS 201-1/2H Thickness=0.2mm  
 Contact plating: Gold 6 micro-inches min. In contact area.
2. Wave solder tip temperature: 265°C Max, 5 Sec Max