

Positive Opening Enclosed Limit Switches Series 83 870 IP 67

Conforms to the following standards:

IEC / EN 60947.5.1
 Dimensional conformity: NFC 63145
 Low voltage directive: 73/23/EEC and 93/68/EEC
 Protection from electric shock: NFC 20030 or IEC 60536 Class 1, degree of pollution 3.

Temperature specification: -25°/+70°C -13°/+158°F

Degree of protection:

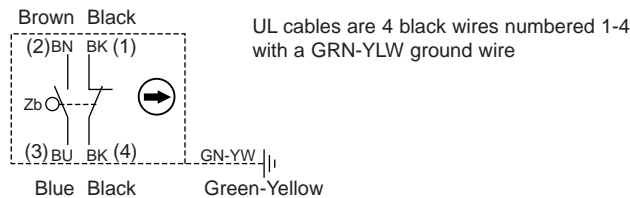
IEC 62529: IP 66/67
 NEMA 250: Type 1, 3, 4, 6, 13

Function:

Contact block is SPDT with double break contacts (form Zb). The NC contacts are positive opening. The NO and NC contacts are electrically isolated.

Contact type:

Snap action SPDT-DB



Electrical characteristics

Assigned impulse voltage (Uimp): 2500 V
 Assigned insulation voltage (Ui): 500 V
 Thermal rating (Ith): 10 A
 With standard contacts: Minimum voltage 10V
 Minimum current 100mA

Use categories:

Following IEC 947.5.1 AC15 = 250V / 6A
 DC13 = 24V / 8A
 Following UL 508 A300 - Q150

Electrical protection:

Under IEC 947.5.1
 Short-circuit protection (SCPD): 6AgC fuse
 Electrical protection by internal earth ground

Connections:

Non-UL: 5 conductor cable H05VF 0.75mm² ext. Ø8mm (Black)
 UL: 5 conductor cable (Grey)

Approvals:

UL 508, UL 50

Types

Standard

Roller turned 90°

Standard products 2.0 meter cable* side exit**

Actuator Type

Metal plunger

Metal roller plunger

Metal plunger with threaded barrel

Roller plunger - metal with threaded barrel

Metal roller lever (operates in both directions)

Mechanical characteristics

Operating force minimum oz. (N)

Total travel force minimum oz. (N)

Positive opening force minimum oz. (N)

Mechanical life millions of cycles

Weight oz. (grams)

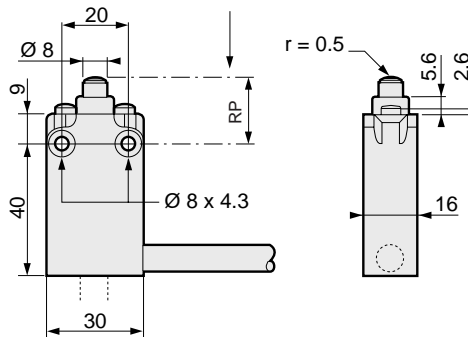
Contact Sequences

Positions given are nominal

Dimensions

mm

83 870 0



(*) For other lengths of cables:

modify the last digit of the part number. For example:

0 = M12 connector output

1 = 1.0 meter cable

2 = 2.0 meter cable (Standard)

3 = 3.0 meter cable

(**) For different cable outputs:

modify the next to the last digit of the part number.:

0 = Cable side exit (Standard)

1 = Cable bottom exit

2 = Connector side exit

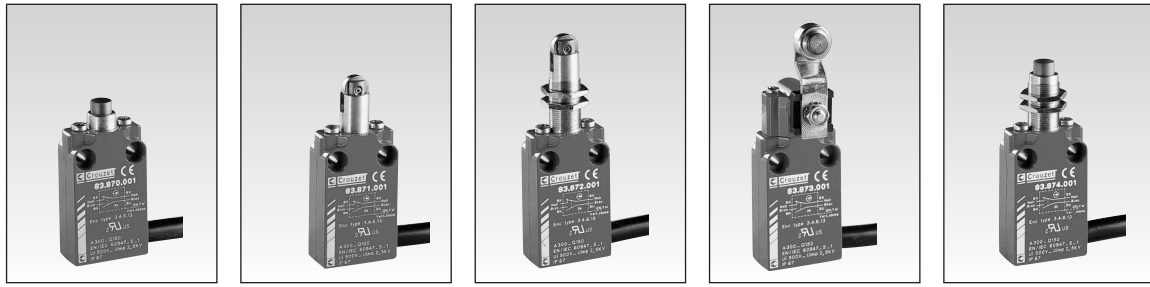
3 = Connector bottom exit

Other information

For different actuator arms, low voltage / low current contacts / low temperature, special contacts, custom wiring harness, etc...., please consult us.

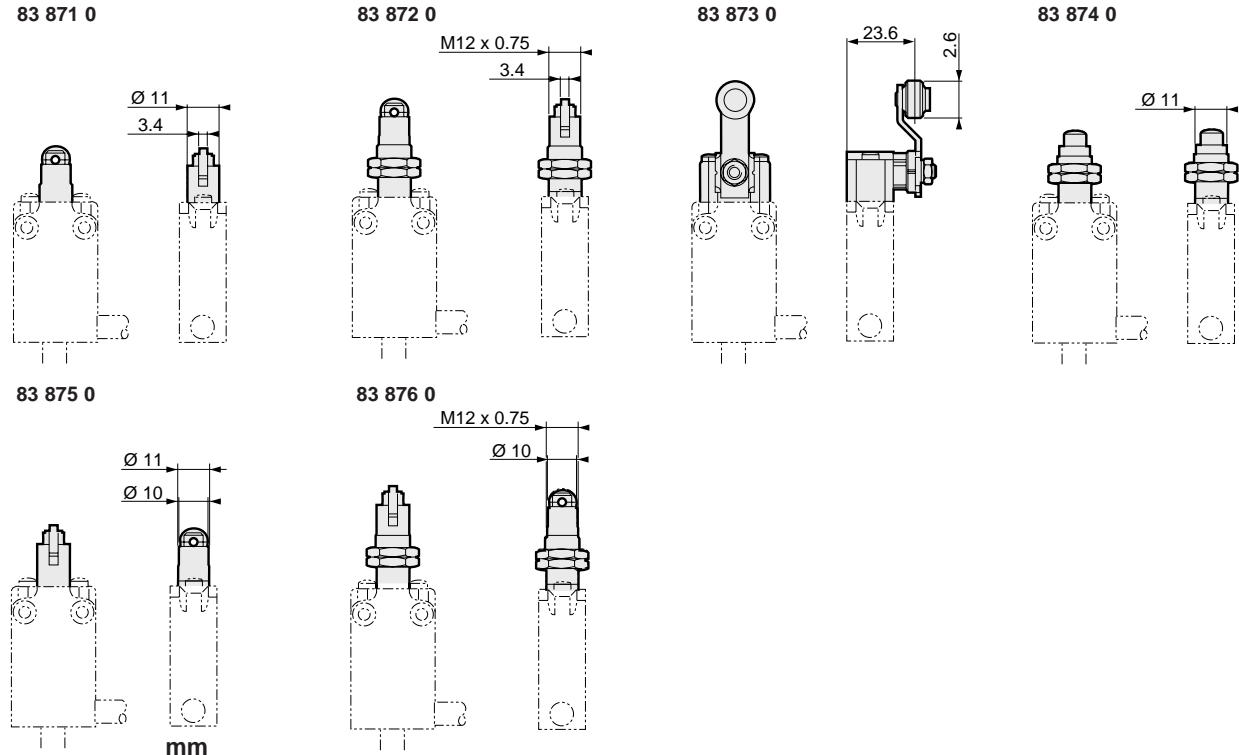
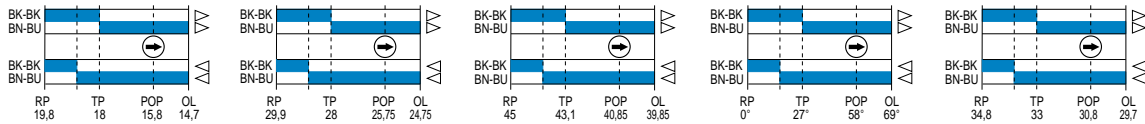
Products and specifications subject to change without notice.

Order/Technical Support – Tel: (800) 677-5311 / FAX: (800) 677-3865 / www.crouzet-usa.com



83 870 0	83 871 0	83 872 0	83 873 0	83 874 0
83 870 102	83 871 102	83 872 102	83 873 102	83 874 102
83 870 103	83 871 103	83 872 103	83 873 103	83 874 103

36 (10)	36 (10)	36 (10)	22 in.oz. (15cmN)	36 (10)
108 (30)	108 (30)	108 (30)	52 in.oz. (35cmN)	108 (30)
100 (28)	100 (28)	100 (28)	22 in.oz. (15cmN)	100 (28)
10	10	10	10	10
10.3 (290)	10.4 (295)	11.1 (315)	10.3 (290)	10.9 (310)



To order, please specify:

Standard products

2 Part number

Example : Limit switch 83 871 102; Cable length = 2m

Standard products, non stocked

1 Type

Examples : Limit switch 83 871 103; cable length = 3 m - Limit switch 83 871 006; cable length = 6 m

Products and specifications subject to change without notice.

Order/Technical Support – Tel: (800) 677-5311 / FAX: (800) 677-3865 / www.crouzet-usa.com