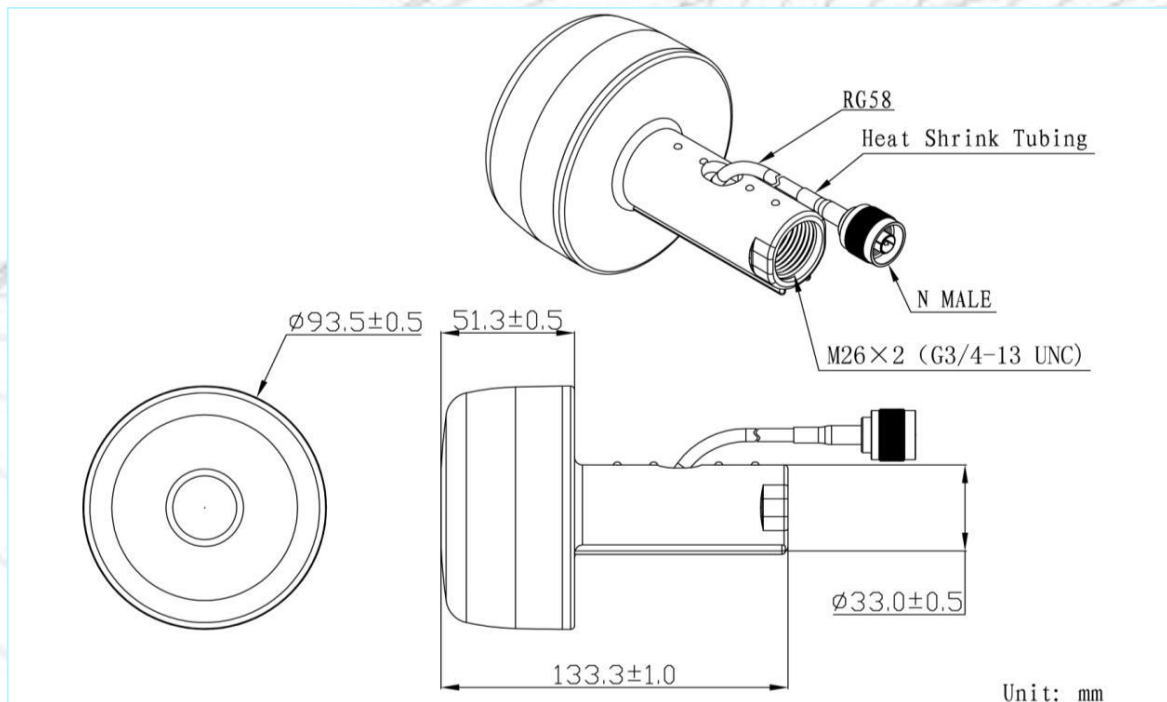


# Heavy duty GPS Active Navigation antenna

AN\_GPS\_A005



## Mechanical Dimension



## GPS Active Navigation antenna

### Specifications

Item	Specifications	
Antenna	Center Frequency	1575.42 ± 3MHz
	Band Width	CF ± 5MHz
	Polarization	RHCP
	Gain	5dBic (Zenith)
	V.S.W.R	< 1.5
	Impedance	50Ω
LNA	Gain	42 ± 2dB
	Noise Figure	< 2dB
	Filter Insertion Loss	< 3dB
	Ex-band Attenuation	12dB@CF+50MHz/16dB@CF-50MHz
	Supply Voltage	3~5V DC
	Current Consumption	< 35mA
	V.S.W.R	< 2.0
Mechanical	Cable	5 meters
	Connector	SMA Male
	Radome Material	ABS
	Mounting Method	Screw
Environmental	Operating Temperature	-40°C ~ +85°C
	Relative Humidity	Up to 95%
	Ingress Protection	IP67
	Vibration	10 to 55Hz with 1.5mm amplitude 2hours
	Environmentally Friendly	ROHS Compliant

## GPS Active Navigation antenna

### Radiation Patterns

