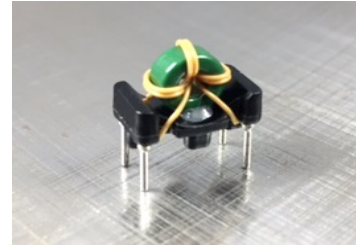




Isolation Transformer

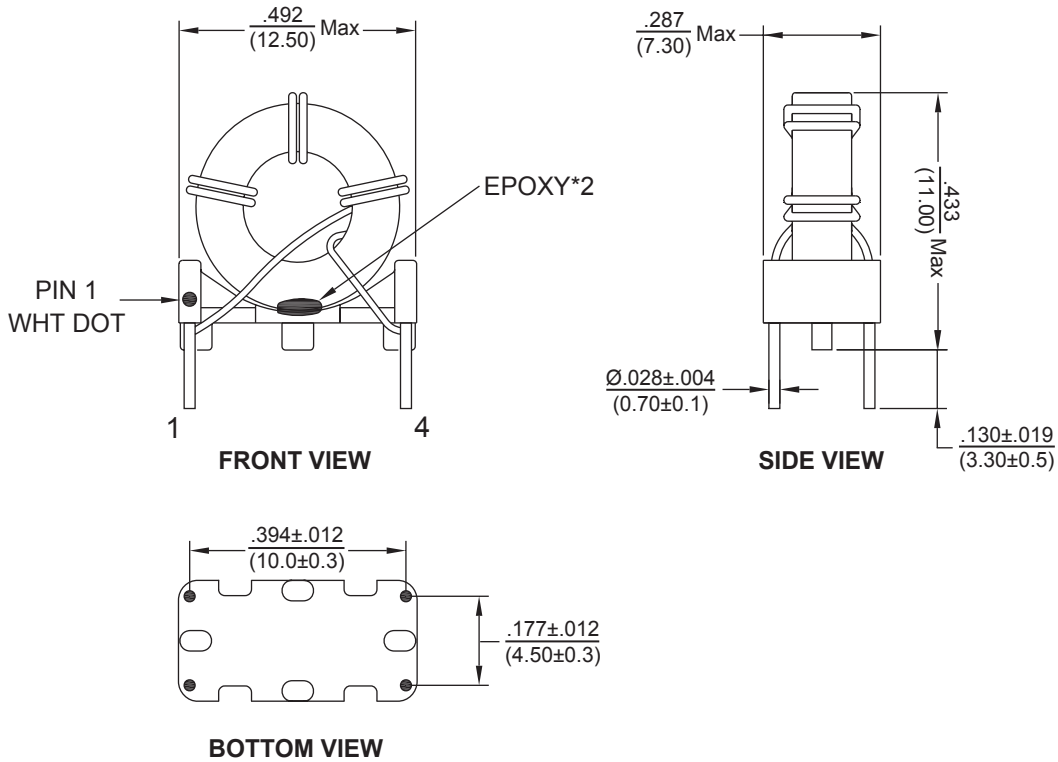
AIT-4463



- Suitable for gate drive and other power applications
- Extended Operating Temperature: -40°C to +125°C

Electrical Specifications @ 25°C				
Allied Part Number	Inductance @100KHz, 0.1V	Turns Ratio 15.75KHz, 1.0V	DCR (1-2) = (4-3) Max	Hi-Pot WDG to WDG 60Sec
	(1-2) = (4-3)	(1-2) : (4-3)		
AIT-4463	16µH ±30%	1:1 ±3%	33mΩ	3000VAC

MECHANICAL



SCHEMATICS

