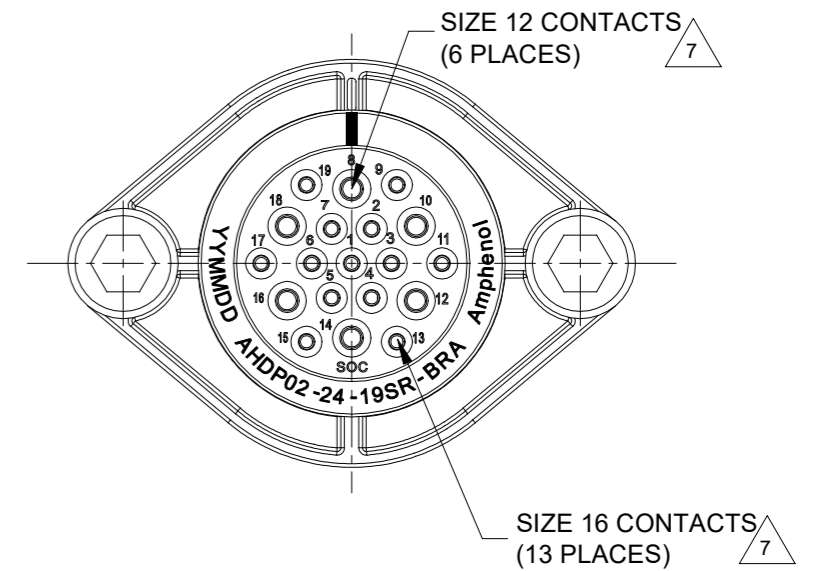
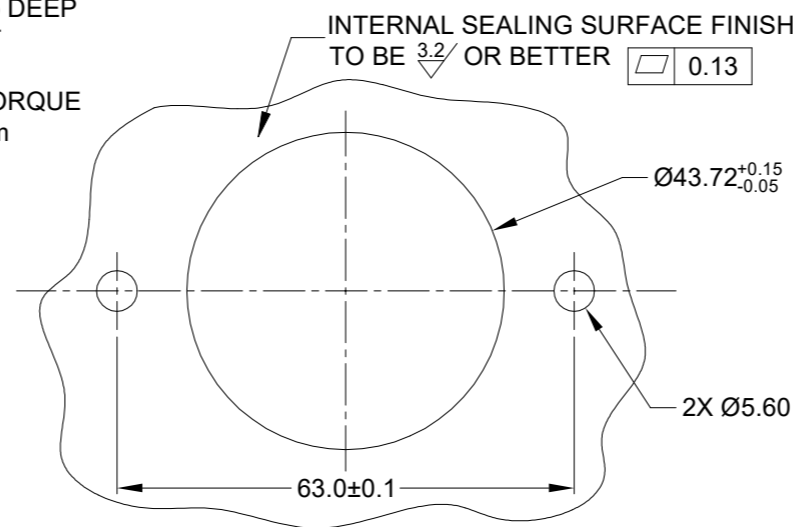


REVISIONS					
REV	ECO	DESCRIPTION	DATE	BY	APPR
A1	-	RELEASE NEW DRAWING	01/APR/22	MILO	TOMMY



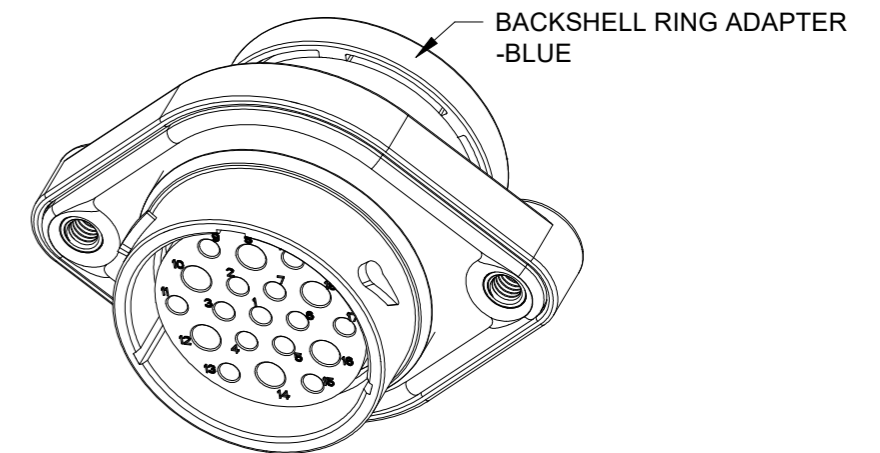
M5X0.8-6H 8mm(2X) DEEP
THREADED INSERT

RECOMMENDED TORQUE
VALUES: 1.9-2.2 N.m



RECOMMENDED PANEL
MOUNTING HOLE

RECOMMENDED PANEL
THICKNESS: 1.6 TO 4.7MM



NOTES: UNLESS OTHERWISE SPECIFIED

- MATERIAL:
HOUSING: THERMOPLASTIC; BLACK
SEAL: SILICONE RUBBER
THREADED INSERT: STAINLESS STEEL
- MODIFICATIONS: BACKSHELL RING ADAPTER (BRA);
REDUCED DIA. WIRE SEAL
SEALED PANEL MOUNT
- SPECIFICATIONS:
3.1 OPERATING TEMPERATURE: -55°C TO +125°C.
3.2 DIELECTRIC WITHSTANDING VOLTAGE: LESS THAN 2
MILLIAMPS CURRENT LEAKAGE @ 1500 VOLTS AC.
3.3 INSULATION RESISTANCE: 1000 MEGOHM MIN @ 25°C.
3.4 MOISTURE RESISTANCE:
IP68(IM OF WATER FOR A PERIOD OF 24 HOURS, MATED
CONDITION);
IP69K(MATED CONDITION)
3.5 MATING CYCLE DURABILITY: 100 CYCLES
3.6 RoHS COMPLIANT
- MATING PART: AHDPO6-24-19P* (* = SEAL TYPE)
- ALL DIMENSIONS ARE FOR REFERENCE USE ONLY.
- RECEPTACLE IS SUPPLIED WITH DUST CAP (NOT SHOW)

CONTACT SIZE AND WIRE RANGE:

CONTACT SIZE	MIN. INSUL O.D.	MAX. INSUL O.D.	TYPICAL WIRE RANGE	CURRENT RATING
12	2.46 mm (.097 in)	4.01 mm (.158 in)	10-14 AWG (6.0-2.0mm ²)	25 AMPS
16	1.35 mm (.053 in)	3.05 mm (.120 in)	14-20 AWG (2.0-0.5mm ²)	13 AMPS

QUANTITY	AHDPO2-24-19SR-BRA	DESCRIPTION	ITEM

MATERIALS LIST		
SIGNATURES	DATE	
DRAWN: MILO	01/APR/22	<h1>Amphenol</h1> <p>Sine Systems - www.amphenol-sine.com 44724 Morley Drive Clinton Township, MI 48036</p>
CHECKED: SULLEN	02/APR/22	
APPROVAL: TOMMY	06/APR/22	
MATERIAL SPECIFICATIONS:		19 POS, RECEPTACLE, SOCKET, PANELMATE AHDP SIZE 24, RD SEAL, BRA
WEIGHT: 61.7g		
PROCESS SPECIFICATIONS:		
NEXT ASSY:		

SIZE	TYPE	DWG NO:	REVISION
B	C-	AHDPO2-24-19SR-BRA	A1
SCALE:	NONE	DURAMATE	SHEET 1 OF 1

TITLE: 19 POS RECEPTACLE SOCKET PANELMATE AHD SIZE 24 RD SEAL BRA
DWG NO: AHDPO2-24-19SR-BRA
REV: A1
SH: 1
OF: 1