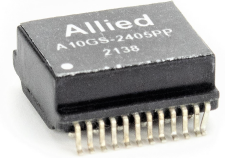


- 10 Gigabit for PoE+ applications
- Operating Temperature Range: 0°C to +70°C
- Maximum Reflow Temp. 260°C/-5°C Sec, reflow time is 30 sec. (Refer to IPC/JEDEC J-STD-020 standard)



Electrical Specifications @ 25°C

OCL(μH Min) @100KHz 0.1V With 15mA DC Bias	Turns Ratio (±2%)	Return Loss @100Ω Load (dB Min)			DCMR (dB Min)	
		1-40 MHz	40-400 MHz	1-100MHz	100-300MHz	300-500MHz
100	1CT:1CT	-20	-20+10*log(f/40)	-40	-30	-25

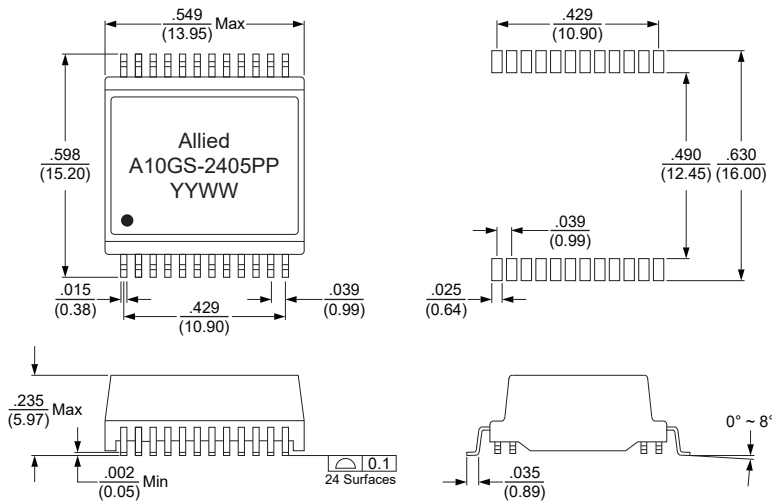
Electrical Specifications @ 25°C

Insertion Loss (dB Max)		Cross Talk (dB Min)		DC Current Carrying Capability	Isolation Hi-Pot (Vrms)
100KHz	1-400MHz	1-100MHz	100-400MHz		
-3.0	-2.0	-33	-25	1.0A Max	1500

All specifications subject to change without notice.

MECHANICAL

DIMENSIONS:  $\frac{\text{inch}}{\text{mm}}$



Unless otherwise specified, all tolerance are ±0.001(0.25mm)

SCHEMATICS

