

1

2

3

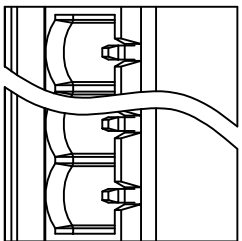
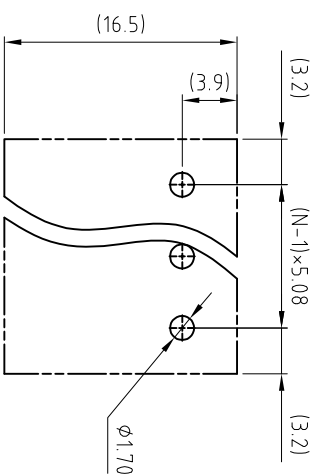
4

5

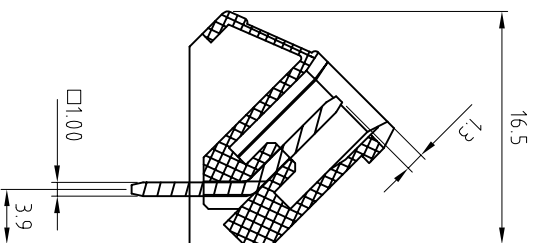
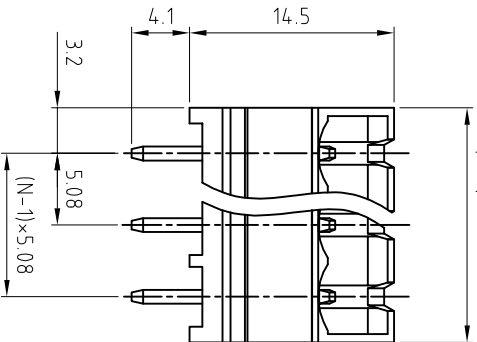
6

7




P.C.B LAYOUT



(N-1) x 5.08 + 6.48



- Material**
- Contact pin: Brass
 - Surface of solder tail: Tin plated
 - Insulator (housing): Thermoplastic (UL94V-0) Green

- Electrical cULus /VDE / TUV**
- Voltage rating: 300V/300V/300V
 - Current rating: 15A/17A/20A
 - Wire range:
 - Solid wire(AWG):
 - Stranded wire(AWG):
 - Wire strip length:
 - Withstanding Voltage: 16KV/2.5KV/2.5KV
 - Operating temperature: -30°C to +105°C
 - Soldering temperature: 250°C ± 10°C / 5 Sec
 - Safety Approval:   

N=Number of contacts

RoHS compliant



Scale	1:1
TOLERANCE	
X.	±0.50
X.X	±0.30
X.XX	±0.10
DIM	TOL
X.°	±1°
Angle	TOL

①	Id.	Modification	Date	Name
②	①	Drawn	10.12.2009	Dean
③	②	Add the UL File No.	19.04.2016	Winnie

Date	Name
Drawn 10.12.2009	Dean
Approved 19.04.2016	Winnie



Customer-No.

ASSMANN WSW-No.
A-TB508-VKXX

Drawing-No.

ASS 3929 CO rev02

Replace

Sheet

1

2

3

4

5

6

7

H

G

F

E

D

C

B

A

H

G

F

E

D

C

B

A