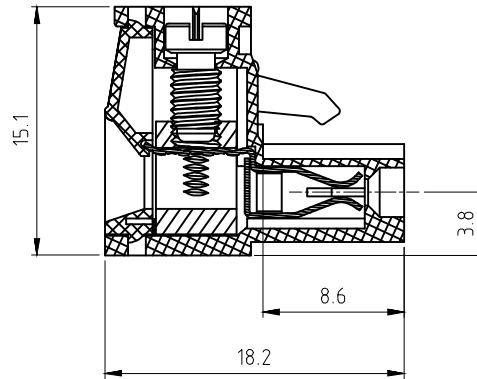


N=Number of contacts



**Material**

- Terminal body (metal housing): Brass(CuZn)
- Terminal screw: Steel Zinc plating "-" slot type
- Wire guard: PhBz ,Tin plated
- Insulator (housing): Thermoplastic (UL94V-0) Green

**Electrical cULus / VDE / TUV**

- Voltage rating: 300V / 300V / 300V
- Current rating: 20A / 20A / 20A
- Wire range: 2.5mm<sup>2</sup>/ 0.34-2.5mm<sup>2</sup>
- Solid wire(AWG): 12-24
- Stranded wire(AWG): 12-24
- Torque: 5Lb-In / 0.5N.m / 0.56N.m
- Screw: M3
- Wire strip length: 7-8mm
- Withstanding Voltage: 1.6KV / 2.5KV / 2.5KV
- Operating temperature: -30°C to +105°C
- Safety Approval:

**RoHS compliant**

Unit: mm



File No.: E349947

Scale	1:1					Date	Name	Customer-No.
TOLERANCE						Drawn	10.12.2009	Dean
X.	±0.50					Approved	18.04.2016	Joanna
X.X	±0.30							ASSMANN WSW-No. <b>A-TB500-TJxxD</b>
X.XX	±0.10							Drawing-No.
DIM	TOL	②	Add UL	18.04.2016	Joanna			<b>ASS 3867 CO</b>
X.°	±1°	①	Drawn	10.12.2009	Dean			
Angle	TOL	Id.	Modification	Date	Name	Replace		Sheet

**RoHS compliant**

Unit: mm



File No.: E349947

Scale	1:1					Date	Name	Customer-No.
TOLERANCE						Drawn	10.12.2009	Dean
X.	±0.50					Approved	18.04.2016	Joanna
X.X	±0.30							ASSMANN WSW-No. <b>A-TB500-TJxxD</b>
X.XX	±0.10							Drawing-No.
DIM	TOL	②	Add UL	18.04.2016	Joanna			<b>ASS 3867 CO</b>
X.°	±1°	①	Drawn	10.12.2009	Dean			
Angle	TOL	Id.	Modification	Date	Name	Replace		Sheet



**ASS 3867 CO**

rev02

Replace

Sheet